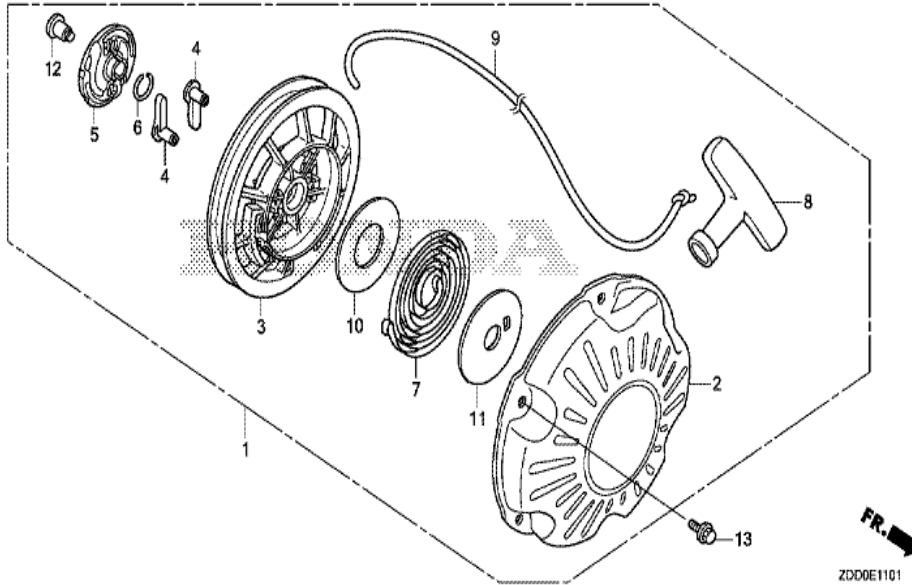


GX100RT (KRWN)

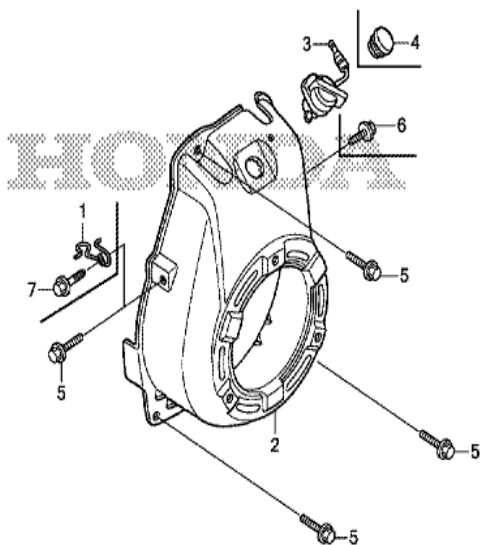
E-11-1 RECARREGUE O ARRANQUE (2)



<u>Ref</u>	<u>Número da peça</u>	<u>Descrição</u>	<u>GX100RT</u>	<u>Números de série</u>
001	28400-Z0D-V04ZA	ASSISTENTE DE INICIALIZAÇÃO, RECUPERAÇÃO * NH1 *	1	
001	28400-ZDD-305ZA	INICIAR ASSIST., RECOIL (COO) (PARA OS EUA)	1	
002	28410-Z0D-V02ZA	COMPONENTES DO CASO, RECOIL STARTER * NH1 *	1	
003	28421-ZDD-003	CARRETEL, RECOIL STARTER (PRETO)	1	
004	28422-ZG0-W02	RATCHET, STARTER	2	
005	28433-ZG0-W02	GUIA, RATCHET	1	
006	28441-ZW6-003	MOLA, FRICÇÃO	1	
007	28442-ZH8-003	MOLA, RECOIL STARTER	1	
008	28461-ZDD-003	BOTÃO, RECOIL STARTER	1	
009	28462-Z0D-V03	CORDA, RECOIL STARTER	1	
010	28467-Z0D-V02	PLACA DE LADO	1	
011	28468-Z0D-V02	PLACA, SLIDE	1	
012	90003-ZH8-003	PARAFUSO, CONFIGURAÇÃO	1	
<u>Ref</u>	<u>Número da peça</u>	<u>Descrição</u>	<u>GX100RT</u>	<u>Números de série</u>
013	95701-0600800	PARAFUSO, FLANGE, 6X8	3	

GX100RT (KRWN)

E-12 TAMPA DO VENTILADOR

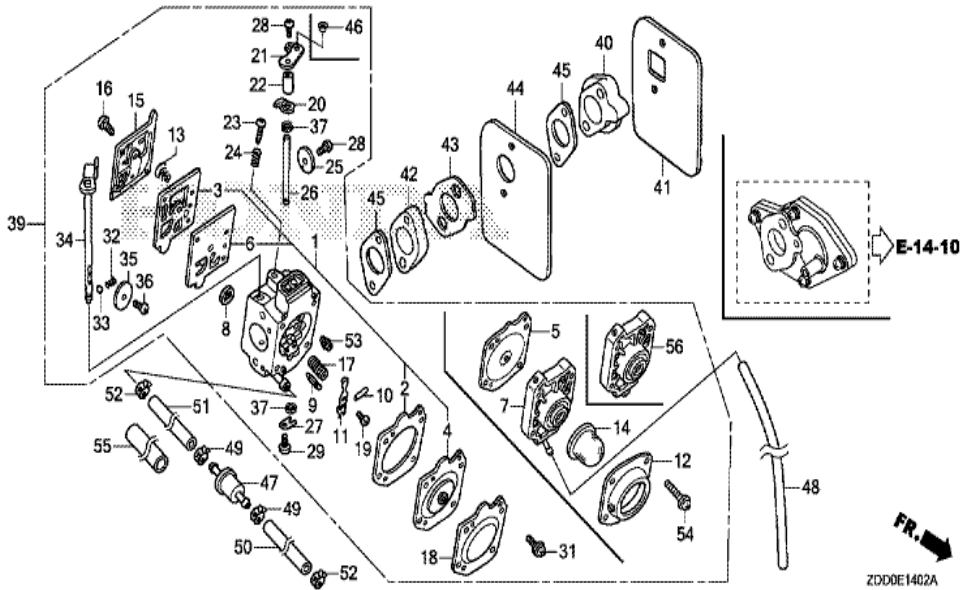


FR. →
ZDDDE1200

<u>Ref</u>	<u>Número da peça</u>	<u>Descrição</u>	<u>GX100RT</u>	<u>Números de série</u>
002	19610-Z4E-S11ZA	COVER COMP., FAN * NH1 *	1	
004	81329-567-020	GROMMET, FURO DE DRENAGEM	1	
005	90014-952-000	PARAFUSO, FLANGE, 6X14 (CT200)	4	

GX100RT (KRWN)

E-14-2 CARBURADOR (RAMMER FLOATLESS)

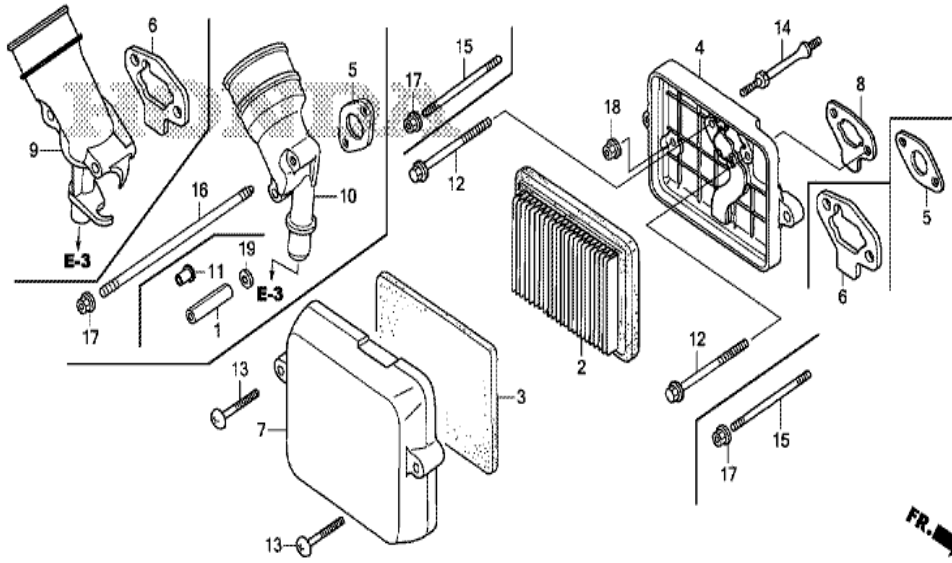


<u>Ref</u>	<u>Número da peça</u>	<u>Descrição</u>	<u>GX100RT</u>	<u>Números de série</u>
002	16010-ZDD-R02	GASKET, DIAFRAGMA DE MEDIÇÃO	1	
003	16011-Z0D-V02	GASKET, BOMBA	1	
005	16013-ZDD-R02	DIAFRAGMA ASSY., MEDIÇÃO	1	
006	16014-Z0D-V02	BOMBA DE DIAFRAGMA	1	
008	16018-ZM3-004	TELA, ENTRADA	1	
009	16019-ZM3-004	VÁLVULA, AGULHA DE ENTRADA	1	
010	16022-ZM3-014	PIN, ALAVANCA DE MEDIÇÃO	1	
011	16023-Z0D-V02	ALAVANCA, MEDINDO	1	
012	16026-Z4E-S32	TAMPA, BOMBA PRIMEIRA	1	
013	16030-ZM3-004	MOLA, BOMBA	1	
014	16032-Z4E-S32	BOMBA, PRIMER	1	
015	16040-Z4E-802	TAMPA, BOMBA	1	
016	16041-Z0D-V02	PARAFUSO	1	
<u>Ref</u>	<u>Número da peça</u>	<u>Descrição</u>	<u>GX100RT</u>	<u>Números de série</u>
017	16042-Z0D-V02	PRIMAVERA	1	
019	16044-Z4E-802	PARAFUSO	1	
020	16045-Z0D-V02	STOPPER, ATAQUE DO THROTTLE	1	
021	16046-Z0D-V73	ALAVANCA, THROTTLE	1	
022	16048-Z0D-V02	ESPAÇADOR, ALAVANCA DO THROTTLE	1	
023	16049-Z4E-S12	PARAFUSO, AJUSTE IDLE	1	
024	16050-Z0D-V02	PRIMAVERA	1	
025	16051-Z4E-S44	VÁLVULA, THROTTLE	1	
026	16052-Z0D-V02	EIXO, THROTTLE	1	
027	16053-Z0D-V02	CLIQUE, EIXO DO THROTTLE	1	
028	16054-Z0D-V02	PARAFUSO, VÁLVULA	2	
029	16055-Z0D-V02	ASSENTO DO PARAFUSO.	1	
032	16056-Z0D-V02	PRIMAVERA	1	
033	16057-Z0D-V02	BOLA	1	
034	16058-Z0D-V02	SHAFT ASSY., CHOKE	1	
035	16059-ZDD-R02	VÁLVULA, CHOKE	1	
036	16060-Z0D-V02	PARAFUSO	1	
037	16061-Z0D-V02	SEAL, DUST	2	
039	16100-ZDD-R02	CARBURETOR ASSY. (HDA 326)	1	
040	16211-Z0D-V01	INSULATOR, CARBURETOR	1	
041	16212-Z0D-V00	PACKING, INSULATOR	1	
042	16213-Z4E-S10	INSULATOR B, CARBURETOR	1	
043	16214-Z0D-V01	PACKING B, INSULATOR	1	
044	16215-Z0D-V00	PLATE, INSULATOR	1	

045	16221-Z0D-V00	PACKING, CARBURETOR	2
046	16552-896-650	COLLAR, LEVER	1
053	99101-Z0D0500	JET (#50)	(1)
053	99101-Z0D0520	JET (#52)	(1)
053	99101-Z0D0540	JET (#54)	1
054	16055-Z4E-S32	SCREW ASSY.	4
056	16017-ZDD-R02	BODY ASSY., AIR PURGE	1

GX100RT(KRWN)

E-15 AIR CLEANER

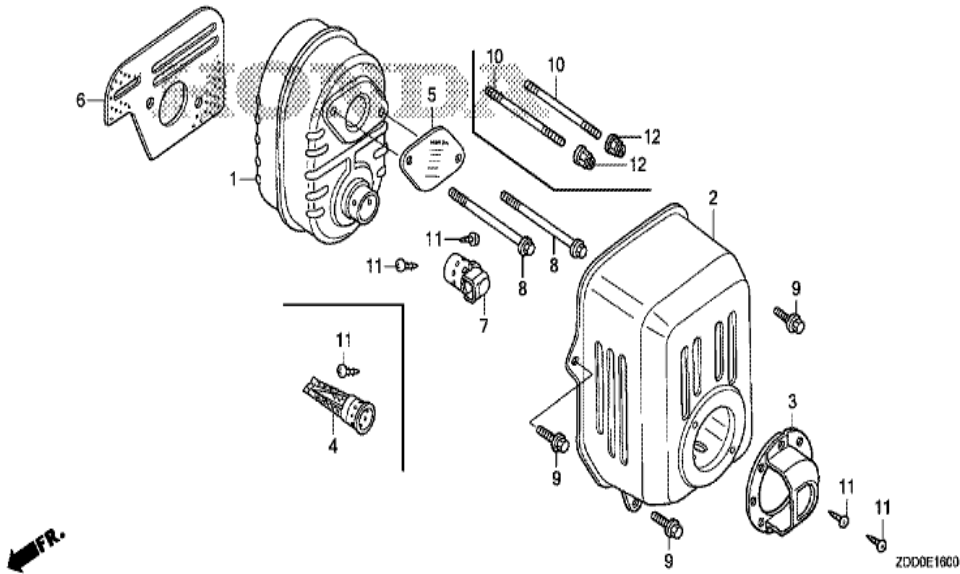


Z000E1500

<u>Ref</u>	<u>Partnumber</u>	<u>Description</u>	<u>GX100RT</u>	<u>Serial Numbers</u>
005	17228-Z0D-V01	PACKING, AIR CLEANER	1	
010	17410-Z4E-S31	ELBOW, AIR CLEANER	1	
016	90042-Z4E-S30	BOLT, STUD, 5X95	2	
017	94050-05000	NUT, FLANGE, 5MM	2	

GX100RT(KRWN)

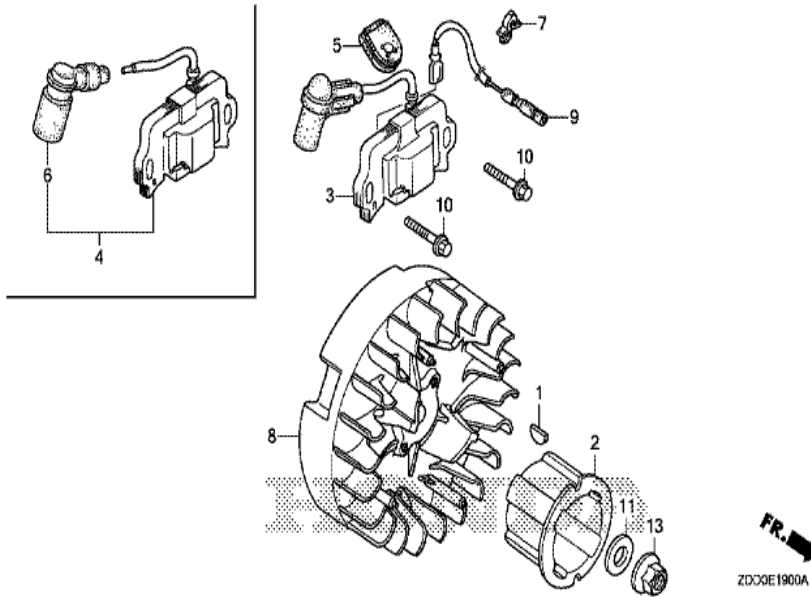
E-16 MUFFLER



Ref	Partnumber	Description	GX100RT	Serial Numbers
001	18310-Z0D-V20	MUFFLER COMP.	1	
002	18321-Z0D-V22	PROTECTOR, MUFFLER	1	
006	18381-Z0D-000	GASKET, MUFFLER	1	
009	90014-952-000	BOLT, FLANGE, 6X14 (CT200)	3	
010	90048-Z0D-V00	BOLT, STUD, 6X78 (CT200)	2	
012	90343-ZE6-000	NUT, SELF-LOCK, 6MM	2	

GX100RT(KRWN)

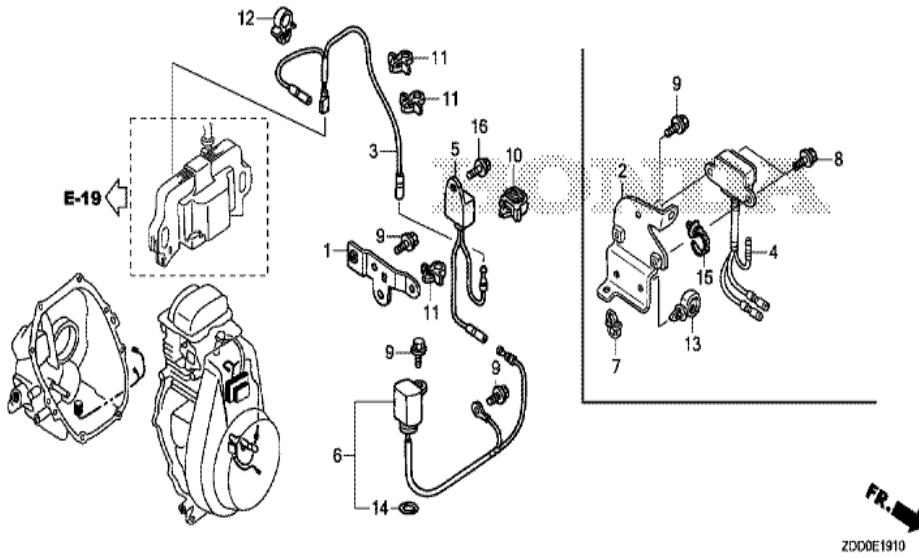
E-19 FLYWHEEL/IGNITION COIL



<u>Ref</u>	<u>Partnumber</u>	<u>Description</u>	<u>GX100RT</u>	<u>Serial Numbers</u>
001	13331-ZM7-000	KEY, SPECIAL	1	
002	28451-Z0D-V03	PULLEY, STARTER	1	
004	30500-Z0D-V02	COIL ASSY., IGNITION	1	
005	30564-ZA5-000	GROMMET, CORD	1	
006	30700-Z0D-V01	TERMINAL ASSY., HIGH TENSION	1	
008	31110-Z0D-003	FLYWHEEL COMP.	1	
010	90022-888-010	BOLT, FLANGE, 6X20 (CT200)	2	
013	94050-12000	NUT, FLANGE, 12MM	1	

GX100RT(KRWN)

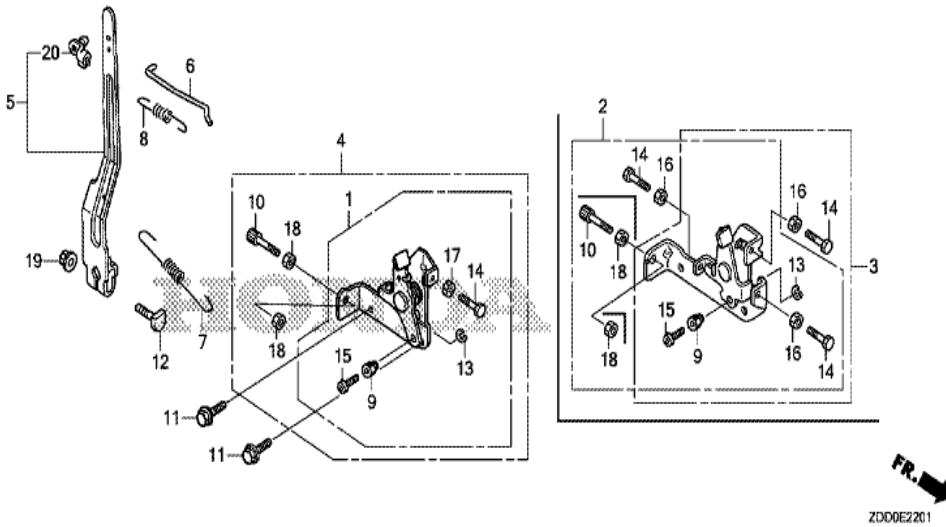
E-19-10 OIL ALERT/OIL LEVEL SWITCH



<u>Ref</u>	<u>Partnumber</u>	<u>Description</u>	<u>GX100RT</u>	<u>Serial Numbers</u>
002	32112-Z4E-S11	BRACKET, OIL ALERT UNIT	1	
003	32195-Z4E-S10	CORD, STOP SWITCH	1	
004	34150-Z4E-801	ALERT UNIT, OIL (START LED)	1	
006	35480-Z4E-S11	SWITCH ASSY., OIL LEVEL	1	
007	36103-ZE1-000	HOLDER, STOP SWITCH CORD	1	
008	90002-MC7-000	BOLT, FLANGE, 5X8	2	
009	90014-952-000	BOLT, FLANGE, 6X14 (CT200)	4	
011	90681-959-003	CLIP A, CABLE (NIFCO) (3.8MM BLACK)	2	
012	90682-959-661	CLIP B, CABLE (9MM BLACK)	1	
013	90683-SA0-003	CLIP, WIRE HARNESS, 25MM	1	
014	91302-ZL8-003	O-RING, 11.8X2.4	1	
015	91540-S30-003	CLIP, HARNESS BAND (NATURAL) (151.5MM)	1	

GX100RT(KRWN)

E-22-1 CONTROL (2)

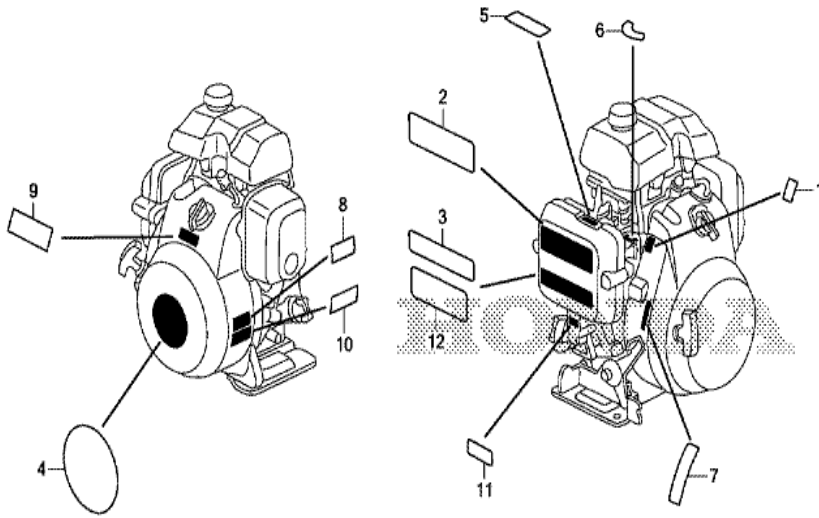


Z000E2201

<u>Ref</u>	<u>Partnumber</u>	<u>Description</u>	<u>GX100RT</u>	<u>Serial Numbers</u>
003	16500-Z4E-S30	CONTROL ASSY.	1	
005	16550-Z0D-V01	ARM COMP., GOVERNOR	1	
006	16555-Z0D-V00	ROD, GOVERNOR	1	
007	16561-Z0D-V00	SPRING, GOVERNOR	1	
008	16562-Z4E-S10	SPRING, THROTTLE RETURN	1	
009	16594-883-010	HOLDER, WIRE	1	
011	90014-952-000	BOLT, FLANGE, 6X14 (CT200)	2	
012	90015-Z5T-000	BOLT, GOVERNOR ARM	1	
013	90605-230-000	CIRCLIP, 5MM	1	
014	92301-050200A	BOLT, RECESSED, 5X20	2	
015	93500-040060H	SCREW, PAN, 4X6	1	
016	94001-05000	NUT, HEX., 5MM	2	
019	94050-06000	NUT, FLANGE, 6MM	1	
<u>Ref</u>	<u>Partnumber</u>	<u>Description</u>	<u>GX100RT</u>	<u>Serial Numbers</u>
020	16263-883-W10	JOINT, ROD	1	

GX100RT(KRWN)

E-28 LABEL

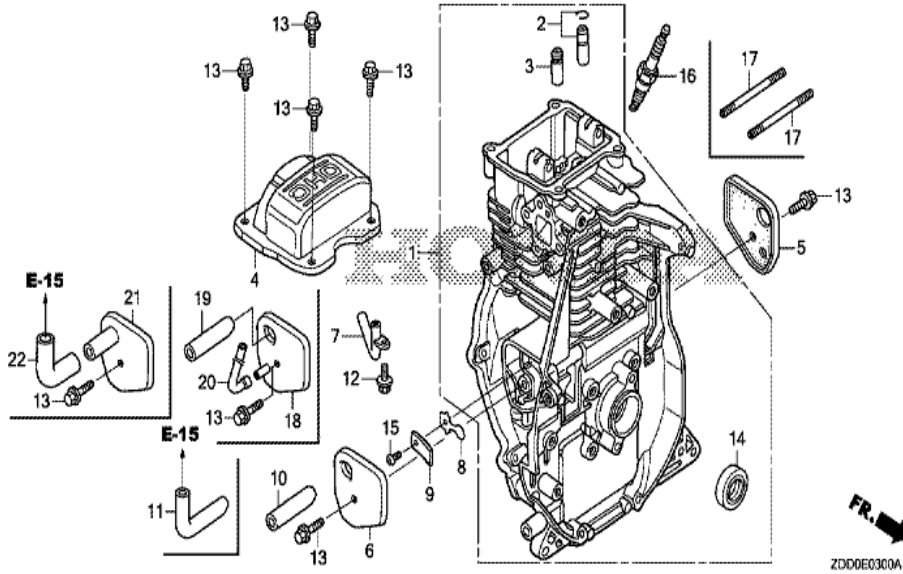


ZDD0E2800

<u>Ref</u>	<u>Partnumber</u>	<u>Description</u>	<u>GX100RT</u>	<u>Serial Numbers</u>
004	87521-ZDD-P10	EMBLEM (GX100) (RAMMER)	1	
009	87539-Z4M-000	MARK, EX. CAUTION (ENGLISH)	1	
011	87601-ZDD-R00	MARK, TYPE (KRWN)	1	

GX100RT(KRWN)

E-3 CYLINDER BARREL

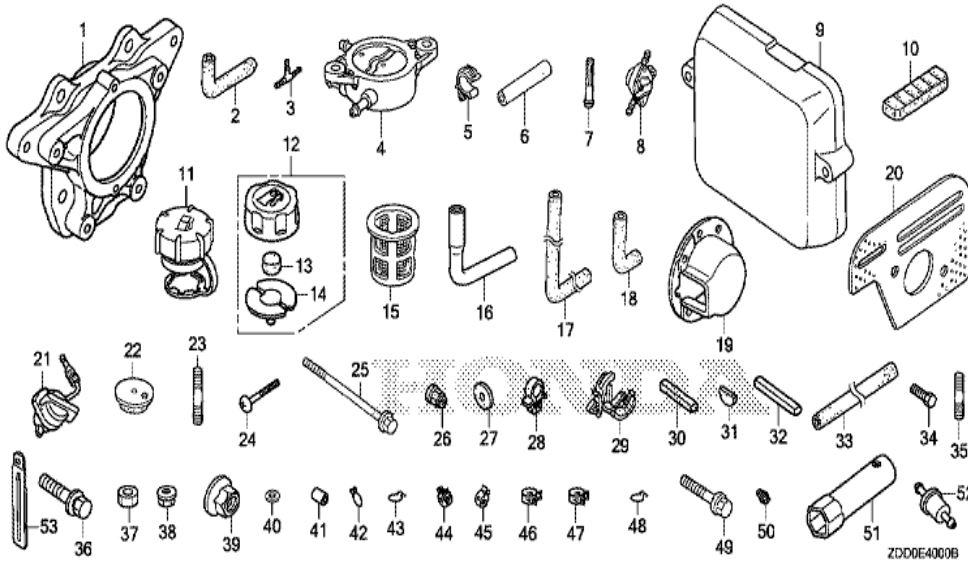


ZDD0E0300A

<u>Ref</u>	<u>Partnumber</u>	<u>Description</u>	<u>GX100RT</u>	<u>Serial Numbers</u>
001	12000-Z0D-405	BARREL ASSY., CYLINDER	1	
002	12201-Z0D-305	GUIDE ASSY., EX. VALVE (O.S.)	1	
003	12204-Z0D-305	GUIDE, IN. VALVE (O.S.)	1	
004	12311-Z0D-000	COVER, HEAD	1	
005	12355-Z0D-000	COVER COMP. A, BREATHER	1	
007	15171-Z0D-V00	PIPE, BREATHER	1	
008	15571-Z0D-V71	VALVE, OIL OUTLET	1	
009	15572-ZM7-000	PLATE, STOPPER	1	
012	90008-ZM7-000	BOLT, 4X10	1	
013	90014-952-000	BOLT, FLANGE, 6X14 (CT200)	6	
014	91202-KJ9-003	OIL SEAL, 20X32X6	1	
015	93500-030050A	SCREW, PAN, 3X5	1	
016	98056-55757	PLUG, SPARK (U16FSR-UB)	1	
<u>Ref</u>	<u>Partnumber</u>	<u>Description</u>	<u>GX100RT</u>	<u>Serial Numbers</u>
016	98056-55777	PLUG, SPARK (CR5HSB)	1	
021	12365-ZDD-R00	COVER COMP. B, BREATHER	1	
022	15721-ZDD-R00	TUBE, BREATHER	1	

GX100RT(KRWN)

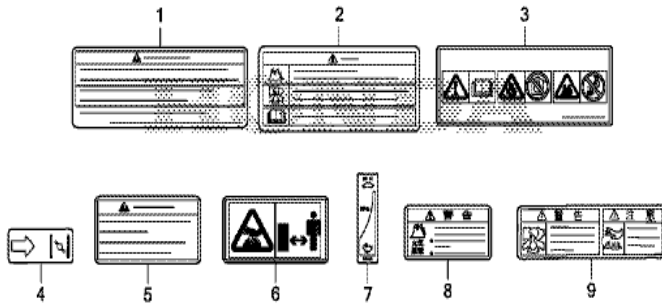
E-40 OTHER PARTS (1)



<u>Ref</u>	<u>Partnumber</u>	<u>Description</u>	<u>GX100RT</u>	<u>Serial Numbers</u>
051	89216-045-670	WRENCH, PLUG	1	

GX100RT(KRWN)

E-40-1 OTHER PARTS (2)

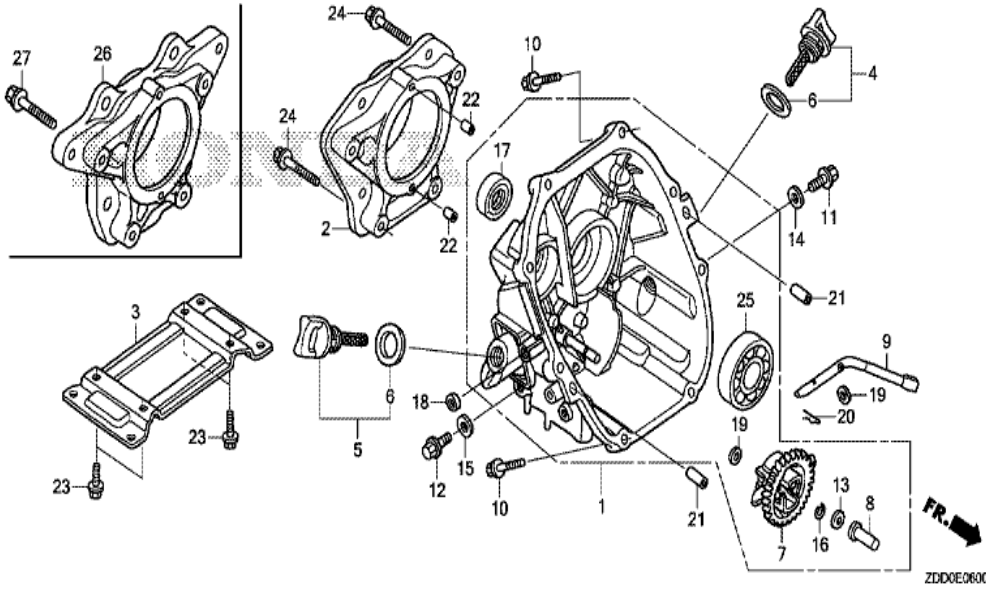


ZDD0E4001A

<u>Ref</u>	<u>Partnumber</u>	<u>Description</u>	<u>GX100RT</u>	<u>Serial Numbers</u>
001	87516-ZDD-000	MARK, OPERATOR CAUTION (ENGLISH)	1	
001	87516-ZDD-800	MARK, OPERATOR CAUTION (FRENCH)	1	
003	87519-ZDD-000	MARK, OPERATOR CAUTION (PICTOGRAPH)	1	
004	87528-Z0D-000	MARK, CHOKE INDICATION	1	
005	87539-Z4M-810	MARK, EX. CAUTION (FRENCH)	1	
006	87539-Z4M-800	MARK, EX. CAUTION (PICTOGRAPH)	1	

GX100RT(KRWN)

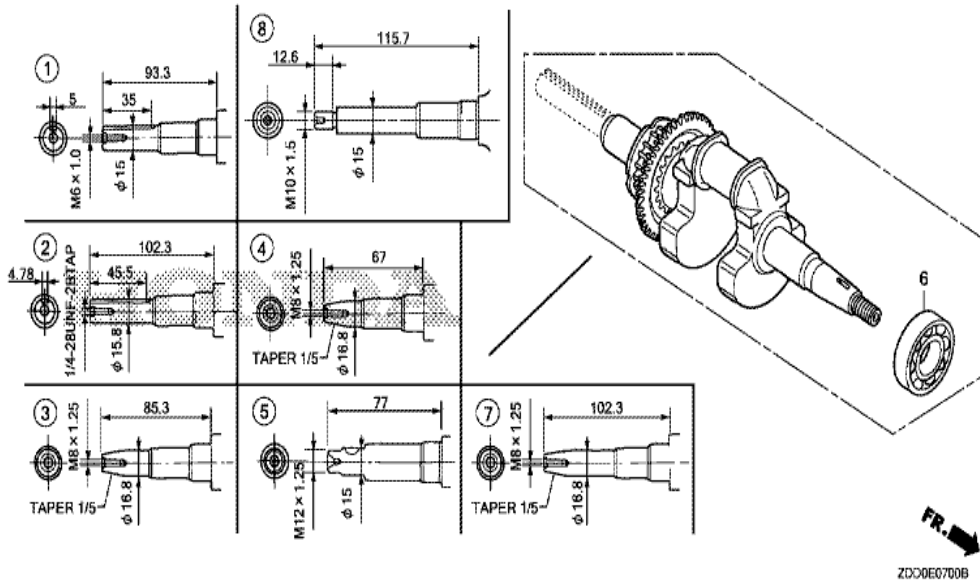
E-6 CRANKCASE COVER



<u>Ref</u>	<u>Partnumber</u>	<u>Description</u>	<u>GX100RT</u>	<u>Serial Numbers</u>
001	11300-Z4E-305	COVER ASSY., CRANKCASE	1	
004	15600-Z3F-000	CAP ASSY., OIL FILLER	1	
006	15625-Z0T-800	PACKING, OIL FILLER CAP	1	
007	16510-ZL8-000	GOVERNOR ASSY.	1	
008	16531-ZE1-000	SLIDER, GOVERNOR	1	
009	16541-Z0D-000	SHAFT, GOVERNOR ARM	1	
010	90121-952-000	BOLT, FLANGE, 6X25 (CT200)	8	
011	90131-ZE1-000	BOLT, DRAIN PLUG	1	
013	90451-ZE1-000	WASHER, THRUST, 6MM	1	
014	90601-ZE1-000	WASHER, DRAIN PLUG, 10.2MM	1	
016	90602-ZE1-000	CLIP, GOVERNOR HOLDER	1	
017	91202-KJ9-003	OIL SEAL, 20X32X6	1	
018	91231-891-003	OIL SEAL, 6X11X4 (ARAI)	1	
<u>Ref</u>	<u>Partnumber</u>	<u>Description</u>	<u>GX100RT</u>	<u>Serial Numbers</u>
019	94101-06800	WASHER, PLAIN, 6MM	2	
020	94251-08000	PIN, LOCK, 8MM	1	
021	94301-08200	DOWEL PIN, 8X20	2	
025	96100-6204000	BEARING, RADIAL BALL, 6204	1	

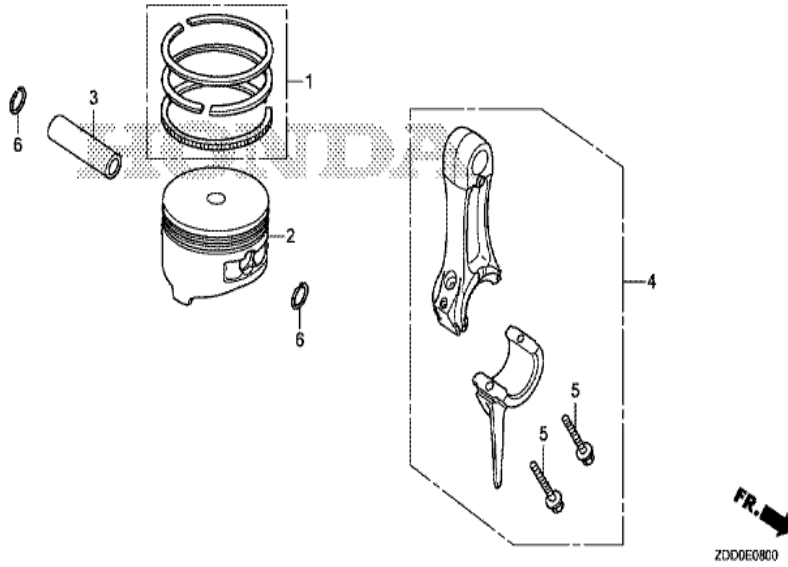
GX100RT(KRWN)

E-7 CRANKSHAFT



Ref	Partnumber	Description	GX100RT	Serial Numbers
006	91001-Z0D-V01	BEARING, RADIAL BALL, 6204C	1	
007	13310-Z0D-P30	CRANKSHAFT COMP.	1	

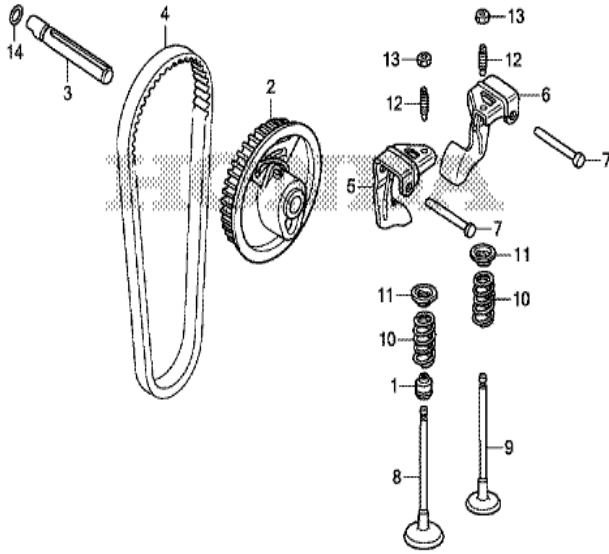
GX100RT(KRWN)	E-8 PISTON/CONNECTING ROD
---------------	---------------------------



<u>Ref</u>	<u>Partnumber</u>	<u>Description</u>	<u>GX100RT</u>	<u>Serial Numbers</u>
001	13010-Z0D-003	RING SET, PISTON	1	
002	13101-Z0D-000	PISTON	1	1142880
002	13101-ZDD-000	PISTON	1	1142881
003	13111-ZE0-000	PIN, PISTON	1	
004	13200-Z0D-000	ROD ASSY., CONNECTING	1	
004	13200-Z0D-305	ROD ASSY., CONNECTING (UNDER SIZE)	(1)	
005	90001-ZM7-000	BOLT, CONNECTING ROD	2	
006	90551-ZE0-000	CLIP, PISTON PIN, 13MM	2	

GX100RT(KRWN)

E-9 CAMSHAFT PULLEY

FR. →
ZDD0E000

<u>Ref</u>	<u>Partnumber</u>	<u>Description</u>	<u>GX100RT</u>	<u>Serial Numbers</u>
001	12209-KT7-013	SEAL, VALVE STEM	1	
002	14320-ZDD-000	PULLEY COMP., CAMSHAFT	1	
003	14324-ZOD-000	SHAFT, CAM PULLEY	1	
004	14400-ZOD-003	BELT, TIMING (61YU7 G-200)	1	
005	14431-ZDD-000	ARM, IN. VALVE ROCKER	1	
006	14441-ZDD-000	ARM, EX. VALVE ROCKER	1	
007	14461-ZL8-000	SHAFT, ROCKER ARM	2	
008	14711-ZOD-000	VALVE, IN.	1	
009	14721-ZOD-000	VALVE, EX.	1	
010	14751-ZOD-000	SPRING, VALVE	2	
011	14771-ZM3-010	RETAINER, VALVE SPRING	2	
012	90012-333-000	SCREW, TAPPET ADJUSTING	2	
013	90206-001-000	NUT, TAPPET ADJUSTING	2	
<u>Ref</u>	<u>Partnumber</u>	<u>Description</u>	<u>GX100RT</u>	<u>Serial Numbers</u>
014	91301-ZM0-V31	O-RING, 6.8X1.9 (ARAI)	1	