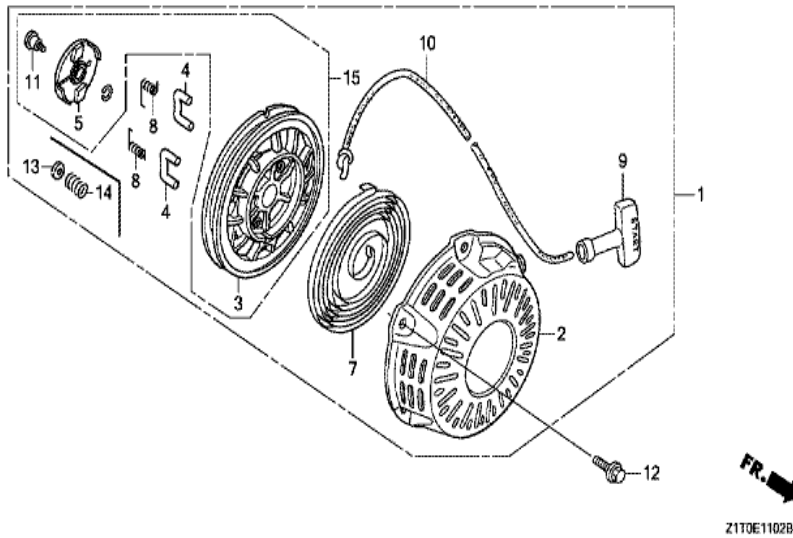


GX160H2(SHK)

E-11-2 RECOIL STARTER (3)

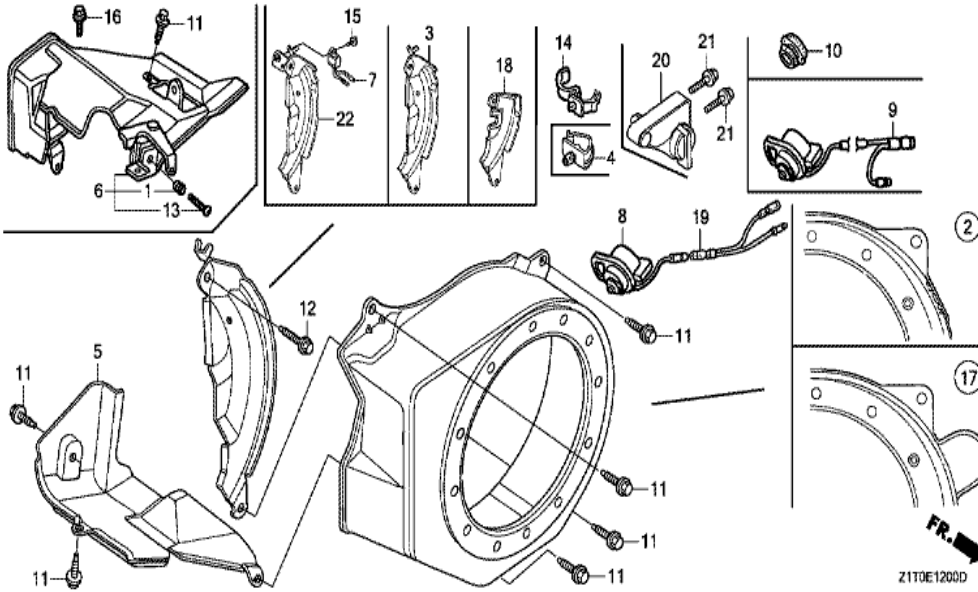


Z1T0E1102B

<u>Ref</u>	<u>Partnumber</u>	<u>Description</u>	<u>GX160H2</u>	<u>Serial Numbers</u>
001	28400-Z1T-702ZB	STARTER ASSY., RECOIL *R280*	1	
001	28400-Z1T-702ZD	STARTER ASSY., RECOIL *NH1*	1	
002	28410-Z1T-701ZB	CASE COMP., RECOIL STARTER *R280*	1	
002	28410-Z1T-701ZD	CASE COMP., RECOIL STARTER *NH1*	1	
003	28421-Z1T-702	REEL, RECOIL STARTER (BLACK)	1	
004	28422-Z1T-701	RATCHET, STARTER	2	
005	28433-Z1T-702	GUIDE, RATCHET	1	
007	28442-ZH8-003	SPRING, RECOIL STARTER	1	
008	28443-Z1T-701	SPRING, RETURN	2	
009	28461-ZH8-013	KNOB, RECOIL STARTER	1	
010	28462-Z1T-701	ROPE, RECOIL STARTER	1	
011	90003-ZH8-801	SCREW, SETTING	1	
012	90008-Z1T-000	BOLT, FLANGE, 6X10	3	
<u>Ref</u>	<u>Partnumber</u>	<u>Description</u>	<u>GX160H2</u>	<u>Serial Numbers</u>
013	28431-ZH8-801	PLATE, FRICTION	1	
014	28441-ZH8-801	SPRING, FRICTION	1	

GX160H2(SHK)

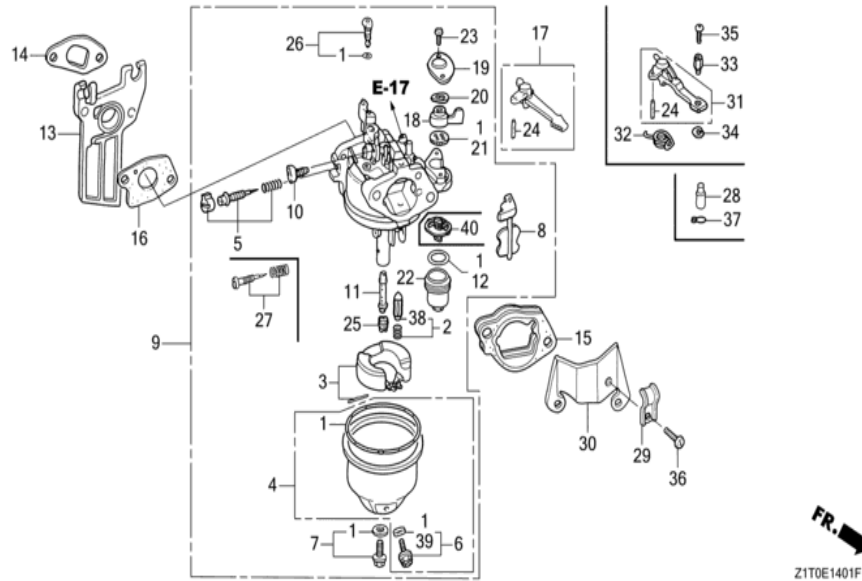
E-12 FAN COVER



<u>Ref</u>	<u>Partnumber</u>	<u>Description</u>	<u>GX160H2</u>	<u>Serial Numbers</u>
002	19610-Z4M-000ZA	COVER COMP., FAN *R280*	(1)	
002	19610-Z4M-000ZB	COVER COMP., FAN *NH1*	(1)	
002	19610-ZCW-000ZA	COVER COMP., FAN *R280*	1	
002	19610-ZCW-000ZB	COVER COMP., FAN *NH1*	1	
003	19612-Z4M-000	PLATE, SIDE (STD.)	1	
005	19630-Z4M-010	SHROUD COMP.	1	
008	35120-Z0D-V81	SWITCH ASSY., ENGINE STOP	1	
011	90013-883-000	BOLT, FLANGE, 6X12 (CT200)	6	
012	90022-888-010	BOLT, FLANGE, 6X20 (CT200)	1	

GX160H2(SHK)

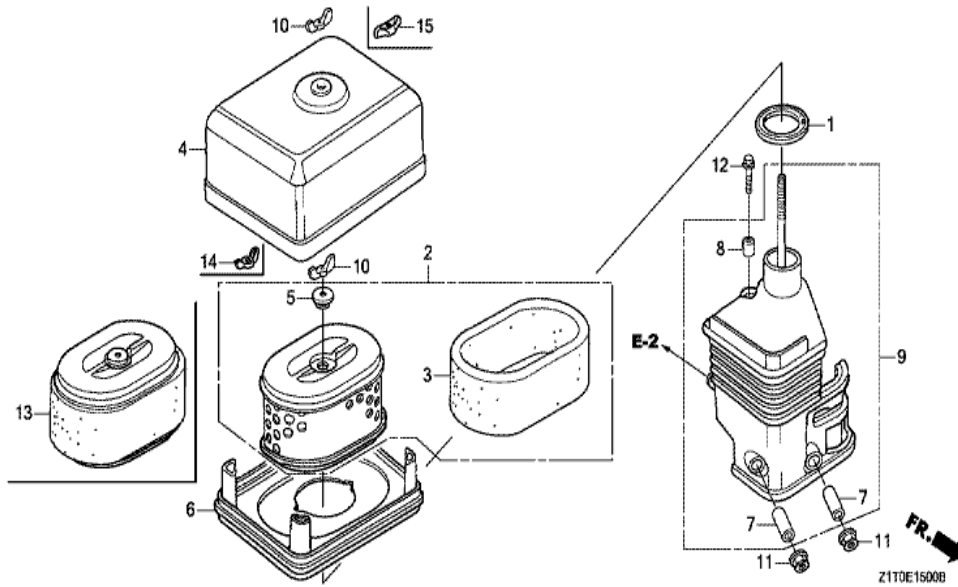
E-14-1 CARBURETOR (2)



<u>Ref</u>	<u>Partnumber</u>	<u>Description</u>	<u>GX160H2</u>	<u>Serial Numbers</u>
001	16010-Z1T-WA1	GASKET SET	1	
002	16011-Z1T-711	VALVE SET, FLOAT	1	
003	16013-Z1T-711	FLOAT SET	1	
004	16015-Z1T-WA1	CHAMBER SET, FLOAT	1	
005	16016-ZDF-V01	SCREW SET	1	
006	16024-Z1T-WA1	SCREW SET, DRAIN	1	
007	16028-Z1T-WA1	SCREW SET	1	
008	16044-ZE0-005	CHOKE SET	1	
009	16100-Z1T-731	CARBURETOR ASSY. (BE99R A)	1	
010	16124-ZE0-005	SCREW, THROTTLE STOP	1	
011	16166-Z1T-721	NOZZLE, MAIN	1	
012	16173-001-004	O-RING	1	
013	16211-Z4M-900	INSULATOR, CARBURETOR	1	
<u>Ref</u>	<u>Partnumber</u>	<u>Description</u>	<u>GX160H2</u>	<u>Serial Numbers</u>
014	16212-Z1T-701	PACKING, INSULATOR (NINGBO SIL GASKET)	1	
014	16212-ZH8-800	PACKING, INSULATOR	1	
015	16220-ZE1-020	SPACER COMP., CARBURETOR	1	
016	16221-Z1T-701	PACKING, CARBURETOR (NINGBO SIL GASKET)	1	
016	16221-ZH8-801	PACKING, CARBURETOR	1	
017	16610-Z1T-000	LEVER COMP., CHOKE (STD.)	1	
018	16953-ZDK-003	LEVER, COCK	1	
019	16954-ZE1-812	PLATE, LEVER SETTING	1	
020	16956-ZE1-811	SPRING, COCK LEVER	1	
021	16957-ZE1-812	PACKING, FUEL COCK	1	
022	16967-ZE0-811	CUP, FUEL STRAINER	1	
023	93500-030061H	SCREW, PAN, 3X6	2	
024	94305-20122	PIN, SPRING, 2X12	1	
025	99101-ZDK0600	JET, MAIN, #60	(1)	
025	99101-ZDK0620	JET, MAIN, #62	(1)	
025	99101-ZDK0650	JET, MAIN, #65	1	
026	99204-ZE20400	JET SET, PILOT, #40	1	
039	16141-Z0S-003	WASHER, PLAIN (6.2X10.7 DRAIN)	1	

GX160H2(SHK)

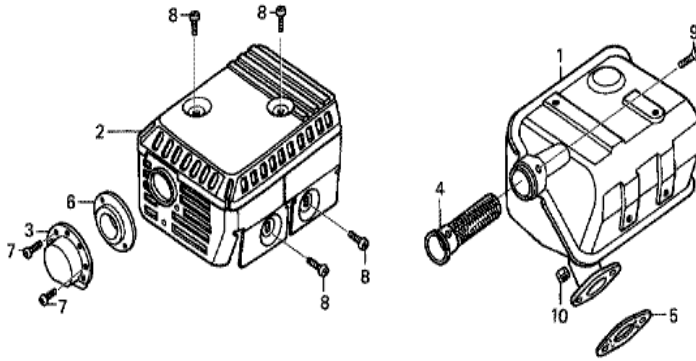
E-15 AIR CLEANER (1)



Ref	Partnumber	Description	GX160H2	Serial Numbers
001	16271-ZE1-000	PACKING, ELBOW	1	
002	17210-Z1T-A11	ELEMENT, AIR CLEANER	1	
003	17218-Z1T-A11	FILTER, OUTER	1	
004	17231-Z1T-930	COVER, AIR CLEANER	1	
005	17232-Z1V-601	GROMMET, AIR CLEANER	1	
007	17238-ZE7-010	COLLAR, AIR CLEANER	2	
008	17239-ZE1-000	COLLAR B, AIR CLEANER	1	
009	17410-Z1T-930	ELBOW COMP., AIR CLEANER	1	
011	94050-06000	NUT, FLANGE, 6MM	2	
012	95701-0602000	BOLT, FLANGE, 6X20	1	
014	90201-Z1T-601	NUT, TOOL BOX SETTING (ZHEJIANG HENGBO)	1	
015	90300-Z1V-000	NUT, AIR CLEANER	1	

GX160H2(SHK)

E-16 MUFFLER (1)



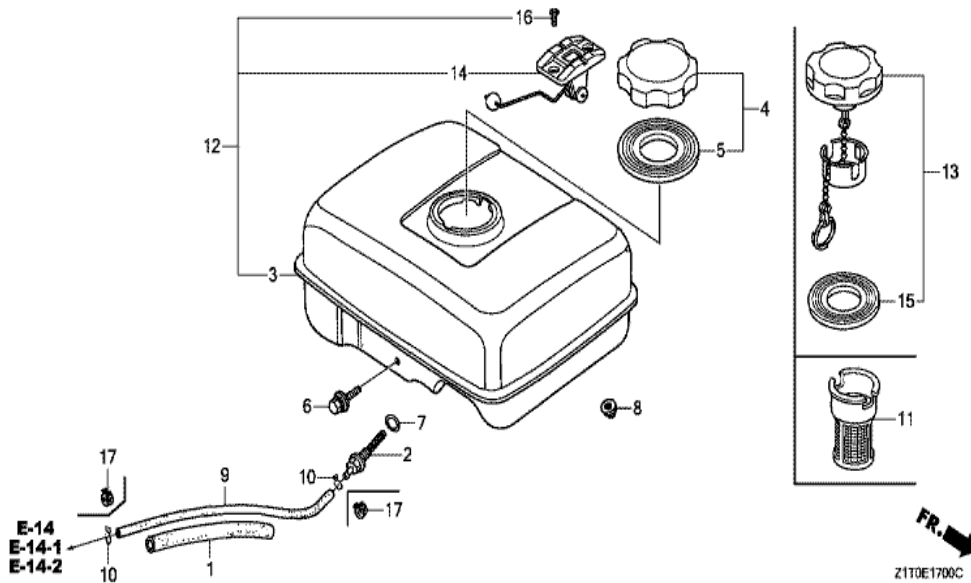
Z1T0-E1600



<u>Ref</u>	<u>Partnumber</u>	<u>Description</u>	<u>GX160H2</u>	<u>Serial Numbers</u>
001	18310-Z4M-010	MUFFLER COMP.	1	
002	18320-Z4M-000	PROTECTOR COMP., MUFFLER (STD.)	1	
005	18381-Z1T-003	GASKET, MUFFLER	1	
005	18381-Z1T-701	GASKET, MUFFLER (NINGBO SIL GASKET)	1	
008	90050-ZE1-000	SCREW, TAPPING, 5X8	4	
010	94001-080000S	NUT, HEX., 8MM	2	

GX160H2(SHK)

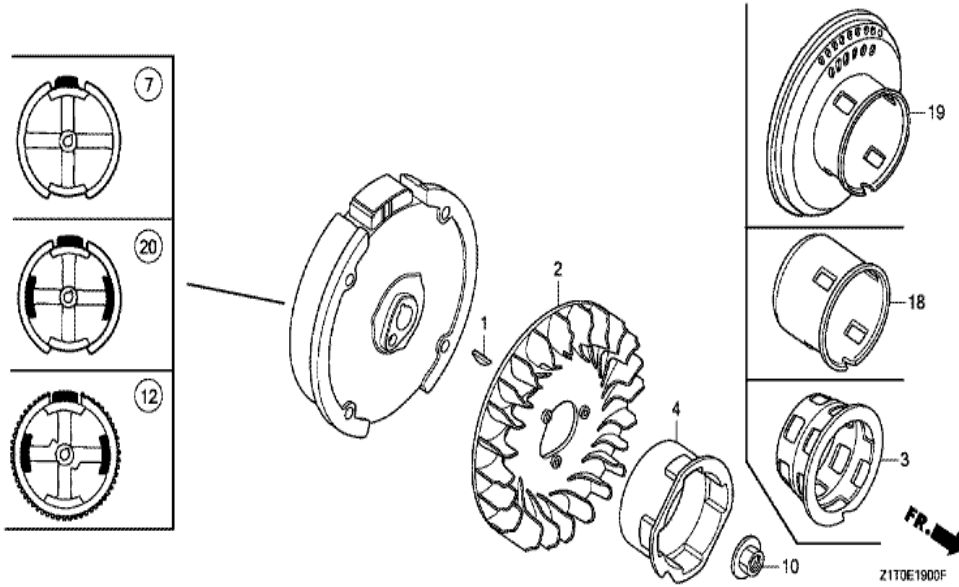
E-17 FUEL TANK



Ref	Partnumber	Description	GX160H2	Serial Numbers
001	16854-ZH8-000	RUBBER, SUPPORTER (107MM)	1	
002	16955-Z1T-010	JOINT, FUEL TANK	1	
003	17510-Z1T-930ZA	TANK COMP., FUEL *NH31*	1	
003	17510-Z1T-930ZB	TANK COMP., FUEL *NH1*	1	
004	17620-Z0T-305	CAP COMP., FUEL FILLER (CHROME PLATED) (	(1)	
004	17620-Z1T-800	CAP COMP., FUEL FILLER (CHROME PLATED) (	1	
005	17631-Z0T-812	PACKING, FUEL FILLER CAP (39X62X3) (TOUY	(1)	
005	17631-Z1T-800	PACKING, FUEL FILLER CAP (39X62X3) (TOYO	1	
006	90004-Z1T-000	BOLT, FLANGE, 6X29	1	
007	91353-671-004	O-RING, 14MM (NOK)	1	
008	94050-06000	NUT, FLANGE, 6MM	2	
009	95001-4514540	TUBE, FUEL, 4.5X145 (95001-45001-60M)	1	
010	95002-02080	CLIP, TUBE (B8)	2	

GX160H2(SHK)

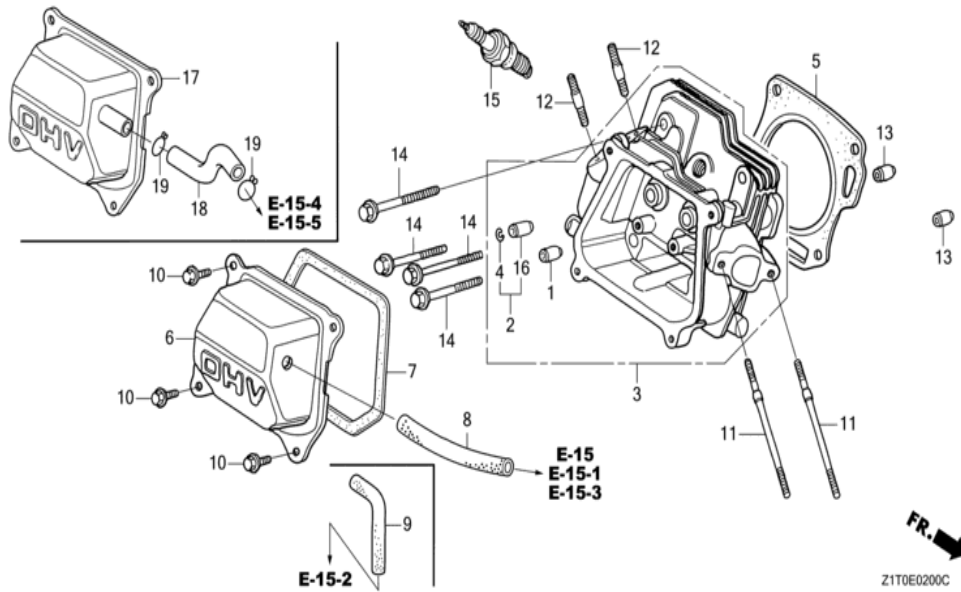
E-19 FLYWHEEL



<u>Ref</u>	<u>Partnumber</u>	<u>Description</u>	<u>GX160H2</u>	<u>Serial Numbers</u>
001	13331-Z8B-900	KEY, SPECIAL WOODRUFF, 25X18	1	
002	19511-Z1T-000	FAN, COOLING	1	
004	28451-Z1T-700	PULLEY, STARTER	1	
007	31110-Z1T-931	FLYWHEEL COMP. (YUXIN)	1	
010	90201-Z1T-000	NUT, SPECIAL, 14MM	1	

GX160H2(SHK)

E-2 CYLINDER HEAD

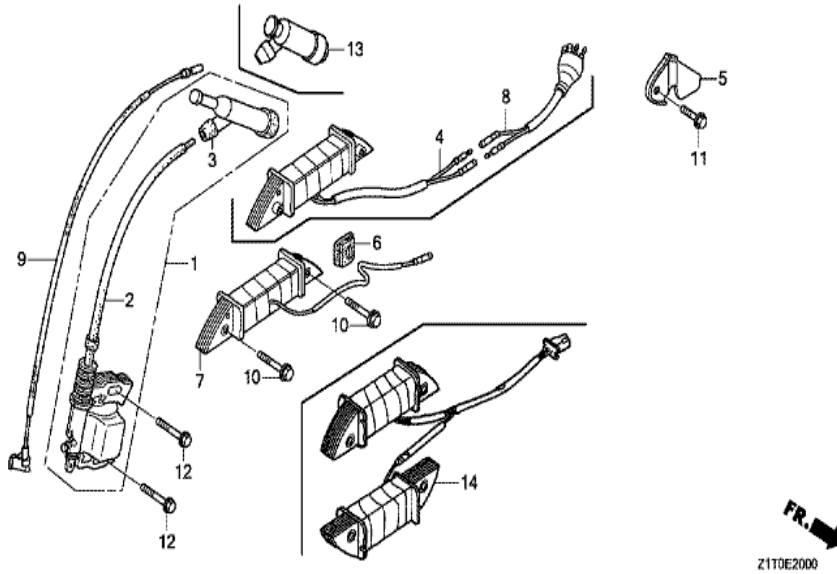


<u>Ref</u>	<u>Partnumber</u>	<u>Description</u>	<u>GX160H2</u>	<u>Serial Numbers</u>
001	12204-Z1T-305	GUIDE, IN. VALVE (O.S.)	1	
003	12210-Z1T-407	HEAD COMP., CYLINDER	1	
004	12216-ZE5-300	CLIP, VALVE GUIDE	1	
005	12251-ZL0-003	GASKET, CYLINDER HEAD (NIPPON LEAKLESS)	1	
006	12310-ZDA-000	COVER COMP., HEAD	1	
007	12312-Z1T-701	PACKING, HEAD COVER (NINGBO SIL GASKET)	1	
007	12391-ZE1-000	PACKING, HEAD COVER	1	
008	15721-ZH8-000	TUBE, BREATHER	1	
010	90013-883-000	BOLT, FLANGE, 6X12 (CT200)	4	
011	90043-ZDK-000	BOLT, STUD, 6X112	2	
012	90047-ZDK-000	BOLT, STUD, 8X32	2	
013	94301-10160	DOWEL PIN, 10X16	2	
014	95701-0806000	BOLT, FLANGE, 8X60	4	
<u>Ref</u>	<u>Partnumber</u>	<u>Description</u>	<u>GX160H2</u>	<u>Serial Numbers</u>
015	98079-55846	PLUG, SPARK (BPR5ES) (NGK)	(1)	
015	98079-55855	PLUG, SPARK (W16EPR-U) (DENSO)	(1)	
015	98079-56846	PLUG, SPARK (BPR6ES) (NGK)	1	
015	98079-56855	PLUG, SPARK (W20EPR-U) (DENSO)	1	
016	12205-Z1T-305	GUIDE, EX. VALVE (O.S.)	1	



GX160H2(SHK)

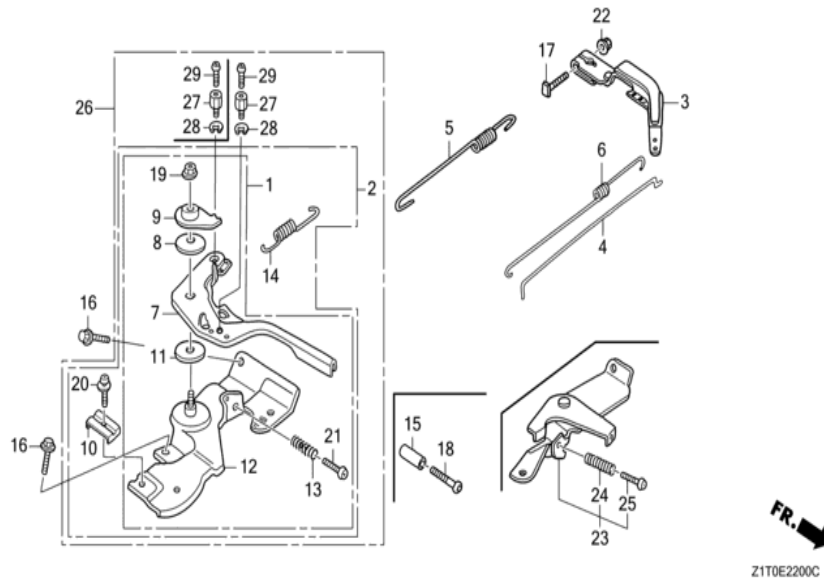
E-20 IGNITION COIL



<u>Ref</u>	<u>Partnumber</u>	<u>Description</u>	<u>GX160H2</u>	<u>Serial Numbers</u>
002	30500-Z1T-601	COIL ASSY., IGNITION (TOYO)	1	
002	30500-Z1T-701	COIL ASSY., IGNITION (KOKUSAN)	1	
003	30700-Z1T-601	CAP ASSY., NOISE SUPPRESSOR (TOYO)	1	
003	30700-Z1T-701	CAP ASSY., NOISE SUPPRESSOR (KOKUSAN)	1	
009	32195-Z1T-701	CORD, STOP SWITCH (370MM) (KOKUSAN)	1	
009	36101-ZE1-010	CORD, STOP SWITCH (370MM)	1	
012	90121-952-000	BOLT, FLANGE, 6X25 (CT200)	2	

GX160H2(SHK)

E-22 CONTROL (1)

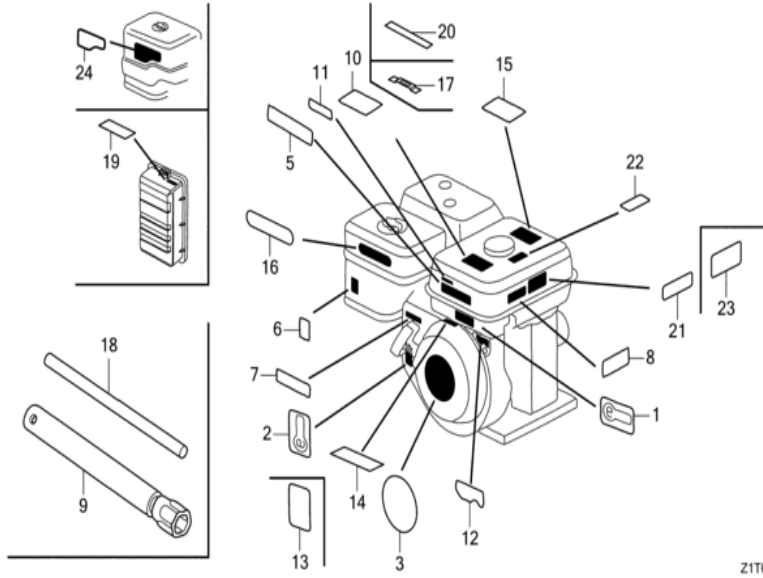


Z1T0E2200C

<u>Ref</u>	<u>Partnumber</u>	<u>Description</u>	<u>GX160H2</u>	<u>Serial Numbers</u>
003	16551-ZL0-000	ARM, GOVERNOR	1	
004	16555-ZE1-000	ROD, GOVERNOR	1	
005	16561-ZL0-000	SPRING, GOVERNOR	1	
005	16561-ZL0-000	SPRING, GOVERNOR	1	
006	16562-ZE1-020	SPRING, THROTTLE RETURN	1	
007	16571-Z1T-000	LEVER, CONTROL	1	
008	16574-ZE1-000	SPRING, LEVER	1	
009	16575-ZH8-000	WASHER, CONTROL LEVER	1	
010	16576-891-000	HOLDER, CABLE	1	
011	16578-ZE1-000	SPACER, CONTROL LEVER	1	
012	16580-ZH8-813	BASE COMP., CONTROL (REMOTE)	1	
013	16584-883-300	SPRING, CONTROL ADJUSTING	1	
014	16592-ZE1-810	SPRING, CABLE RETURN	1	
<u>Ref</u>	<u>Partnumber</u>	<u>Description</u>	<u>GX160H2</u>	<u>Serial Numbers</u>
016	90013-883-000	BOLT, FLANGE, 6X12 (CT200)	2	
017	90015-ZE5-010	BOLT, GOVERNOR ARM	1	
019	90114-SA0-000	NUT, SELF-LOCK, 6MM	1	
019	90202-Z1T-000	NUT, SELF-LOCK, 6MM	1	
020	93500-050160A	SCREW, PAN, 5X16	1	
021	93500-050250H	SCREW, PAN, 5X25	1	
022	94050-06000	NUT, FLANGE, 6MM	1	
026	16500-Z1T-610	CONTROL ASSY. (REMOTE/INTERNAL)	1	
027	16594-883-010	HOLDER, WIRE	1	
028	90605-Z1T-000	CIRCLIP, 5MM	1	
029	93500-040060H	SCREW, PAN, 4X6	1	

GX160H2(SHK)

E-28 LABEL/TOOL

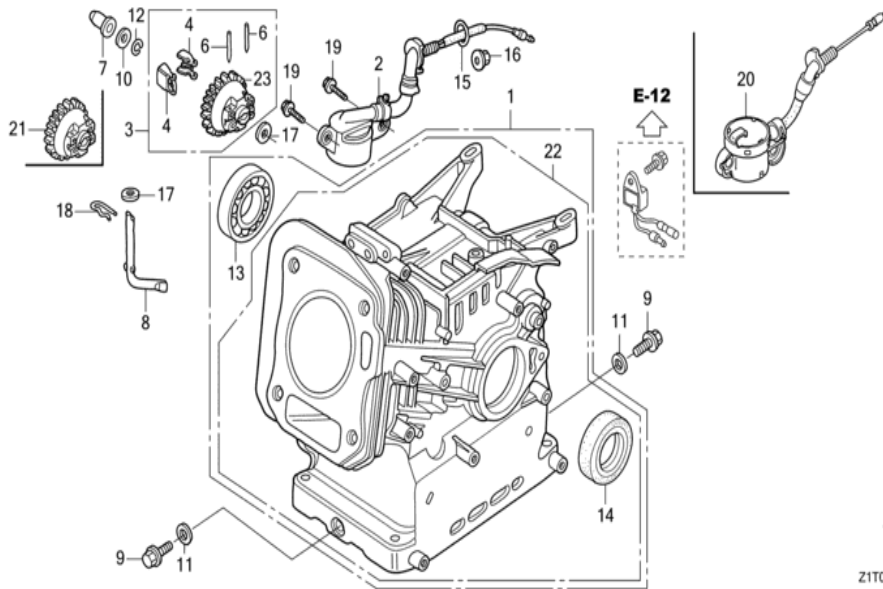


Z1T0E2800J

<u>Ref</u>	<u>Partnumber</u>	<u>Description</u>	<u>GX160H2</u>	<u>Serial Numbers</u>
003	87521-ZH8-040	EMBLEM (GX160)	1	
006	87528-ZE1-810	MARK, CHOKE	1	
013	87114-ZH7-000	LABEL, WARNING (NOT CERTIFIED FOR SALE)	1	
014	87516-ZK6-811	MARK, OPERATOR CAUTION (CHINESE) (MADE I	1	

GX160H2(SHK)

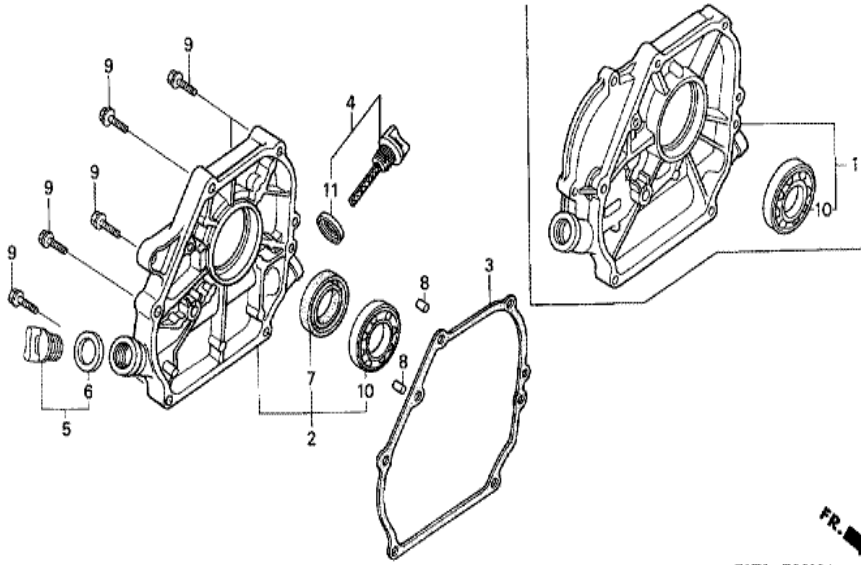
E-3 CYLINDER BARREL



<u>Ref</u>	<u>Partnumber</u>	<u>Description</u>	<u>GX160H2</u>	<u>Serial Numbers</u>
007	16531-Z1T-000	SLIDER, GOVERNOR	1	
008	16541-Z1T-000	SHAFT, GOVERNOR ARM	1	
009	90131-ZE1-000	BOLT, DRAIN PLUG	2	
010	90451-Z1T-000	WASHER, THRUST, 6MM	1	
011	90601-ZE1-000	WASHER, DRAIN PLUG, 10.2MM	2	
012	90602-ZE1-000	CLIP, GOVERNOR HOLDER	1	
014	91201-Z0T-801	OIL SEAL, 25X41X6 (NOK)	1	
014	91202-YA0-P01	OIL SEAL, 25X41X6 (ARAI)	1	
014	91202-Z1T-003	OIL SEAL, 25X41X6 (ARAI)	1	
017	94101-06800	WASHER, PLAIN, 6MM	2	
018	94251-08000	PIN, LOCK, 8MM	1	
021	16510-ZDL-000	GOVERNOR ASSY.	1	
022	12000-Z4M-425	BARREL ASSY., CYLINDER	1	

GX160H2(SHK)

E-6 CRANKCASE COVER

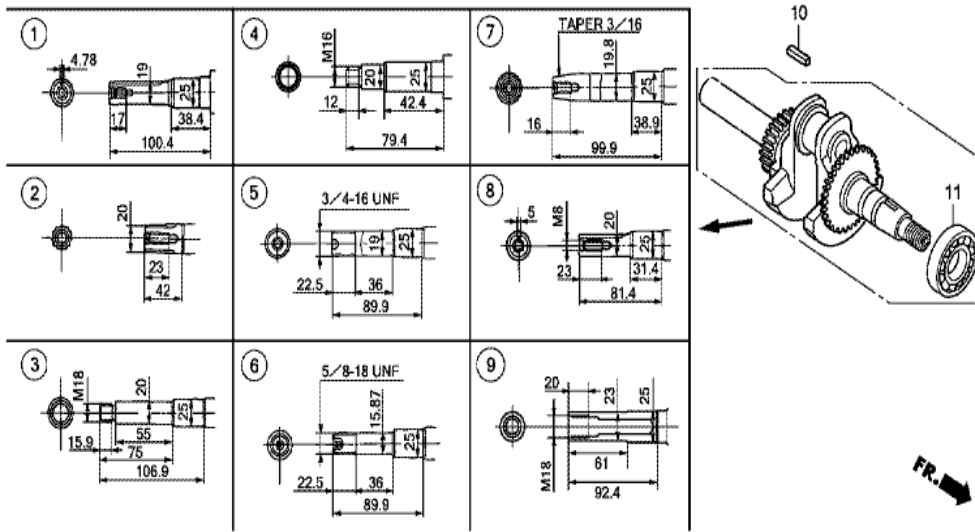


Z1T0-E0600A

<u>Ref</u>	<u>Partnumber</u>	<u>Description</u>	<u>GX160H2</u>	<u>Serial Numbers</u>
002	11300-Z4M-630	COVER ASSY., CRANKCASE	1	
003	11381-Z1T-701	PACKING, CASE COVER (NINGBO SIL GASKET)	1	
003	11381-ZH8-801	PACKING, CASE COVER (NON ASBESTOS)	1	
004	15600-Z1T-000	CAP ASSY., OIL FILLER	1	
005	15600-Z1T-600	CAP ASSY., OIL FILLER	1	
006	15625-Z1T-000	PACKING, OIL FILLER CAP	1	
007	91201-Z0T-801	OIL SEAL, 25X41X6 (NOK)	1	
007	91202-YA0-P01	OIL SEAL, 25X41X6 (ARAI)	1	
007	91202-Z1T-003	OIL SEAL, 25X41X6 (ARAI)	1	
008	94301-08140	DOWEL PIN, 8X14	2	
009	95701-0803200	BOLT, FLANGE, 8X32	6	
010	96100-6205000	BEARING, RADIAL BALL, 6205	1	

GX160H2(SHK)

E-7-1 CRANKSHAFT (2)

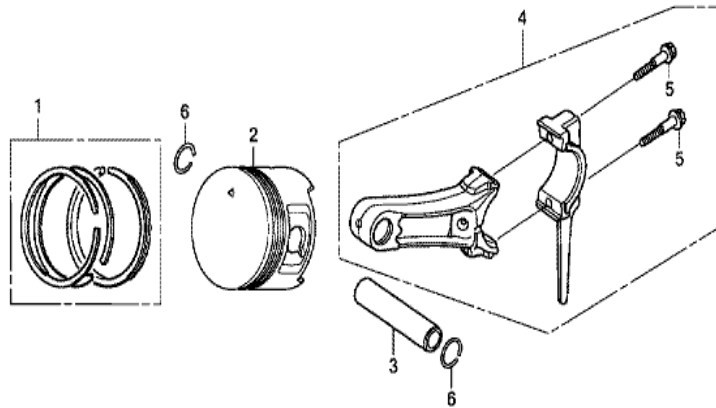


Z1T0E0701

Ref	Partnumber	Description	GX160H2	Serial Numbers
008	13310-Z1T-980	CRANKSHAFT COMP.	1	
010	90741-883-810	KEY, 5X5X33 (YELLOW)	1	
011	91001-Z1T-003	BEARING, RADIAL BALL, 6205 (NSK)	1	

GX160H2(SHK)

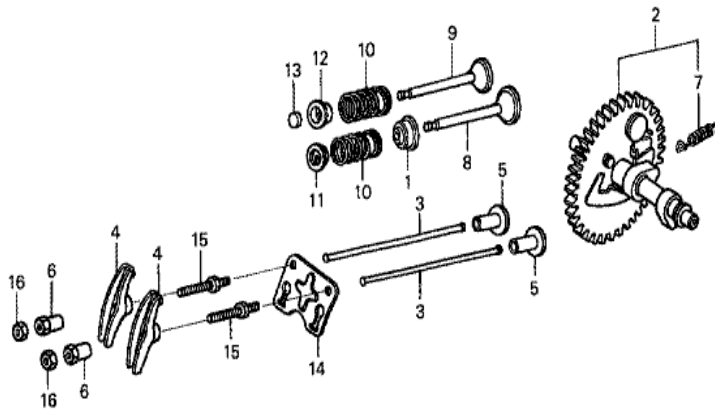
E-8 PISTON

FR. →  
Z1T0E08008

<u>Ref</u>	<u>Partnumber</u>	<u>Description</u>	<u>GX160H2</u>	<u>Serial Numbers</u>
001	13010-Z1T-931	RING SET, PISTON (STD.) (TPR)	1	
001	13010-Z1T-932	RING SET, PISTON (STD.) (RIKEN)	1	
001	13011-Z1T-931	RING SET, PISTON (0.25) (TPR)	(1)	
001	13011-Z1T-932	RING SET, PISTON (0.25) (RIKEN)	(1)	
001	13012-Z1T-931	RING SET, PISTON (0.50) (TPR)	(1)	
001	13012-Z1T-932	RING SET, PISTON (0.50) (RIKEN)	(1)	
001	13013-Z1T-931	RING SET, PISTON (0.75) (TPR)	(1)	
001	13013-Z1T-932	RING SET, PISTON (0.75) (RIKEN)	(1)	
002	13101-Z1T-930	PISTON (STD.)	1	
002	13102-Z1T-930	PISTON (0.25)	(1)	
002	13103-Z1T-930	PISTON (0.50)	(1)	
002	13104-Z1T-930	PISTON (0.75)	(1)	
003	13111-Z1T-000	PIN, PISTON	1	
<u>Ref</u>	<u>Partnumber</u>	<u>Description</u>	<u>GX160H2</u>	<u>Serial Numbers</u>
004	13200-Z1T-306	ROD ASSY., CONNECTING (UNDER SIZE)	(1)	
004	13200-Z1T-930	ROD ASSY., CONNECTING	1	
005	90001-Z4M-000	BOLT, CONNECTING ROD, 6X34.5	2	
006	90551-ZE1-000	CLIP, PISTON PIN, 18MM	2	

GX160H2(SHK)

E-9 CAMSHAFT



Z1T0-E0900



<u>Ref</u>	<u>Partnumber</u>	<u>Description</u>	<u>GX160H2</u>	<u>Serial Numbers</u>
001	12209-ZH8-003	SEAL, VALVE STEM	1	
002	14100-Z1T-930	CAMSHAFT ASSY.	1	
003	14410-ZE1-010	ROD, PUSH	2	
004	14431-Z1T-000	ARM, VALVE ROCKER	2	
004	14431-ZE1-000	ARM, VALVE ROCKER	2	
005	14441-ZE1-010	LIFTER, VALVE	2	
006	14451-Z7E-000	PIVOT, ROCKER ARM	2	
007	14568-ZE1-000	SPRING, WEIGHT RETURN	1	
008	14711-Z1T-930	VALVE, IN.	1	
009	14721-Z4M-000	VALVE, EX.	1	
010	14751-ZF1-000	SPRING, VALVE	2	
011	14771-Z1T-000	RETAINER, VALVE SPRING	1	
012	14771-Z1T-000	RETAINER, VALVE SPRING	1	
<u>Ref</u>	<u>Partnumber</u>	<u>Description</u>	<u>GX160H2</u>	<u>Serial Numbers</u>
014	14791-ZE1-010	PLATE, PUSH ROD GUIDE	1	
015	90012-ZE0-010	BOLT, PIVOT, 8MM	2	
016	90206-ZE1-000	NUT, PIVOT ADJUSTING	2	