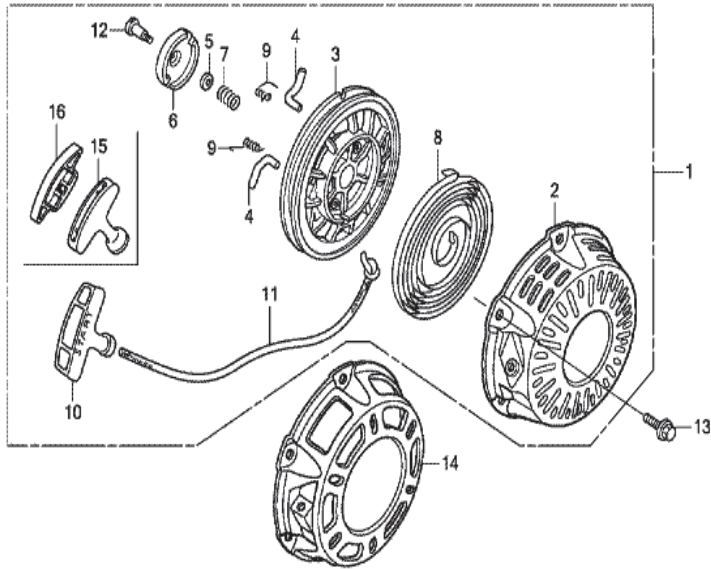


GX160UT2(SWX2)

E-11 RECOIL STARTER

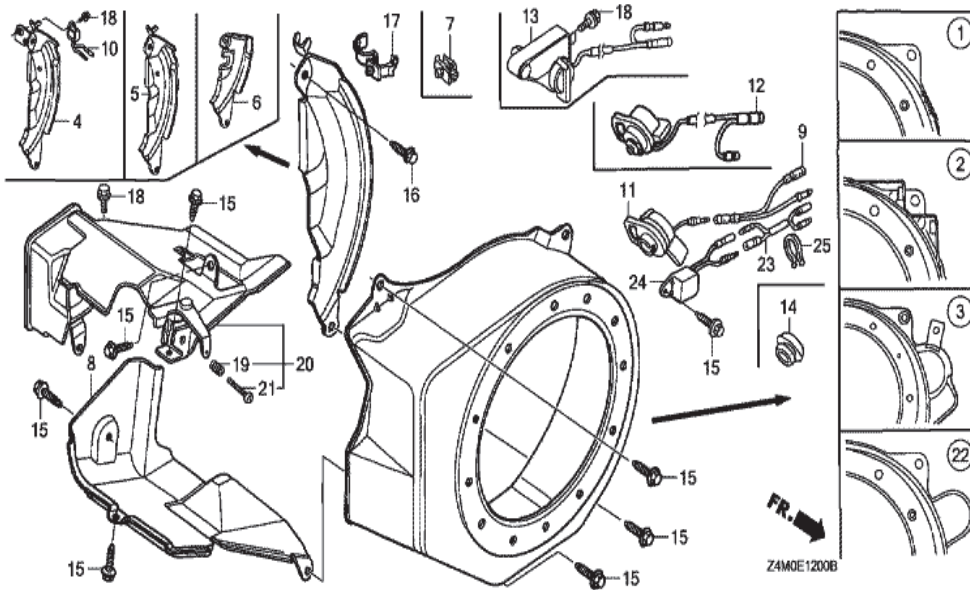


Z4MOE1100B

<u>Ref</u>	<u>Partnumber</u>	<u>Description</u>	<u>GX160UT2</u>	<u>Serial Numbers</u>
001	28400-Z4M-003ZC	STARTER ASSY., RECOIL *NH1*	1	
001	28400-Z4M-305ZD	STARTER ASSY., RECOIL (COO) (FOR U.S.A.)	1	
002	28410-Z4M-003ZD	CASE COMP., RECOIL STARTER *NH1*	1	
003	28421-Z0T-003	REEL, RECOIL STARTER	1	
004	28422-ZH8-801	RATCHET, STARTER	2	
005	28431-ZH8-801	PLATE, FRICTION	1	
006	28433-ZH8-801	GUIDE, RATCHET	1	
007	28441-ZH8-801	SPRING, FRICTION	1	
008	28442-ZH8-003	SPRING, RECOIL STARTER	1	
009	28443-ZH8-801	SPRING, RETURN	2	
011	28462-ZH8-003	ROPE, RECOIL STARTER	1	
012	90003-ZH8-801	SCREW, SETTING	1	
013	90008-ZE2-003	BOLT, FLANGE, 6X10	3	
<u>Ref</u>	<u>Partnumber</u>	<u>Description</u>	<u>GX160UT2</u>	<u>Serial Numbers</u>
015	28461-Z4M-003	KNOB, RECOIL STARTER	1	
015	28461-Z4M-305	KNOB, RECOIL STARTER (COO) (FOR U.S.A.)	1	
016	28463-Z4M-003	KNOB, REINFORCEMENT	1	

GX160UT2(SWX2)

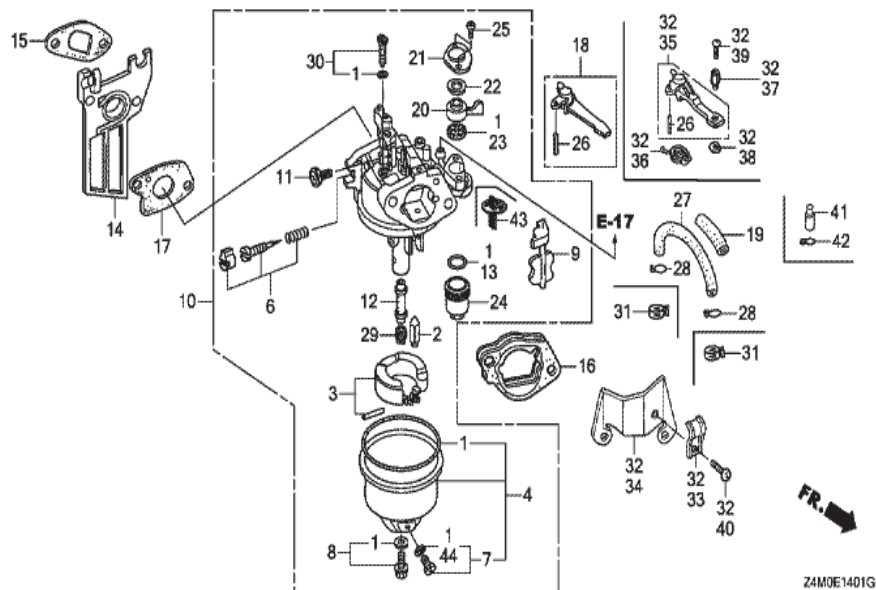
E-12 FAN COVER



Ref	Partnumber	Description	GX160UT2	Serial Numbers
001	19610-Z4M-000ZB	COVER COMP., FAN *NH1*	1	
004	19611-Z4M-810	PLATE COMP., SIDE (OIL ALERT)	1	
008	19630-Z4M-000	SHROUD COMP.	1	
010	34150-ZH7-013	ALERT UNIT, OIL	1	
012	35120-Z0T-851	SWITCH ASSY., ENGINE STOP	1	
015	90013-883-000	BOLT, FLANGE, 6X12 (CT200)	6	
016	90022-888-010	BOLT, FLANGE, 6X20 (CT200)	1	
017	90601-ZH7-013	CLIP, HARNESS	1	
018	95701-0600800	BOLT, FLANGE, 6X8	1	

GX160UT2(SWX2)

E-14-1 CARBURETOR (2)

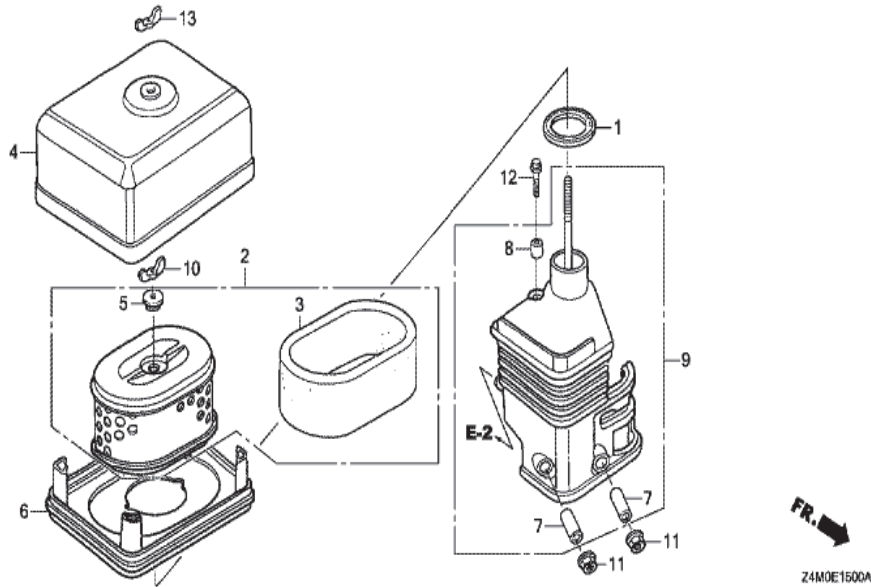


Z4M0E1401G

<u>Ref</u>	<u>Partnumber</u>	<u>Description</u>	<u>GX160UT2</u>	<u>Serial Numbers</u>
001	16010-ZE1-812	GASKET SET	1	
002	16011-ZE0-005	VALVE SET, FLOAT	1	
003	16013-Z0S-B01	FLOAT SET	1	
004	16015-Z4M-911	CHAMBER SET, FLOAT	1	
006	16016-ZH7-W01	SCREW SET, PILOT	1	
007	16024-Z5T-901	SCREW SET, DRAIN	1	
008	16028-Z5T-901	SCREW SET	1	
009	16044-Z4M-911	CHOKE SET	1	
010	16100-Z4M-922	CARBURETOR ASSY. (BE54D A)	1	
011	16124-ZE0-005	SCREW, THROTTLE STOP	1	
012	16166-Z4M-922	NOZZLE, MAIN	1	
013	16173-001-004	PACKING, FUEL STRAINER CUP	1	
014	16211-Z4M-000	INSULATOR, CARBURETOR	1	
<u>Ref</u>	<u>Partnumber</u>	<u>Description</u>	<u>GX160UT2</u>	<u>Serial Numbers</u>
015	16212-ZH8-800	PACKING, INSULATOR	1	
016	16220-ZE1-020	SPACER COMP., CARBURETOR	1	
017	16221-ZH8-801	PACKING, CARBURETOR	1	
018	16610-ZE1-000	LEVER COMP., CHOKE (STD.)	1	
020	16953-ZE1-812	LEVER, COCK	1	
021	16954-ZE1-812	PLATE, LEVER SETTING	1	
022	16956-ZE1-811	SPRING, COCK LEVER	1	
023	16957-ZE1-812	PACKING, FUEL COCK	1	
024	16967-ZE0-811	CUP, FUEL STRAINER	1	
025	93500-030061H	SCREW, PAN, 3X6	2	
026	94305-20122	PIN, SPRING, 2X12	1	
029	99101-ZH80620	JET, MAIN, #62	(1)	
029	99101-ZH80650	JET, MAIN, #65	(1)	
029	99101-ZH80680	JET, MAIN, #68	1	
029	99101-ZH80680	JET, MAIN, #68	1	
030	99204-ZE00350	JET SET, PILOT, #35	1	
043	16959-Z5T-901	FILTER, CUP	1	

GX160UT2(SWX2)

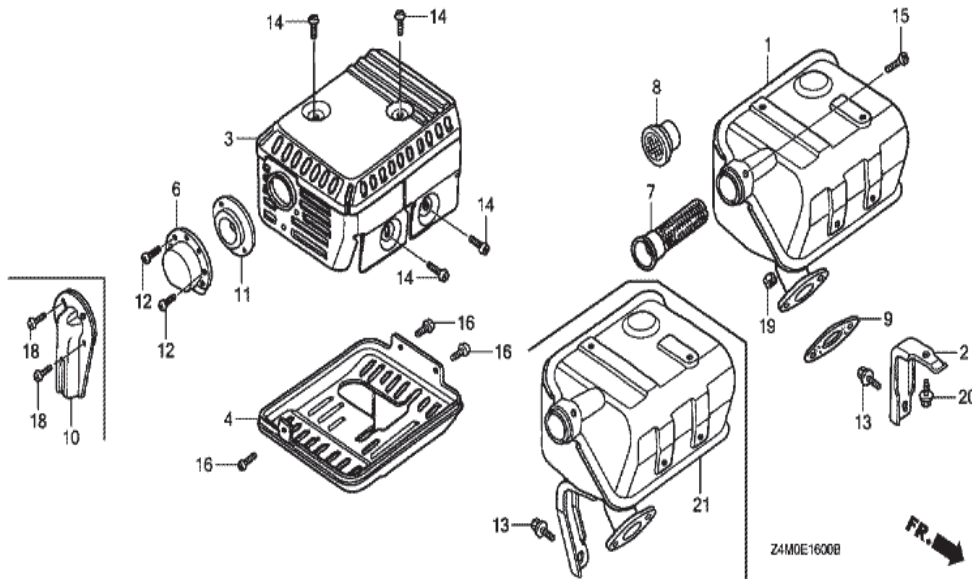
E-15 AIR CLEANER (1)



<u>Ref</u>	<u>Partnumber</u>	<u>Description</u>	<u>GX160UT2</u>	<u>Serial Numbers</u>
001	16271-ZE1-000	PACKING, ELBOW	1	
002	17210-ZE1-822	ELEMENT, AIR CLEANER (DUAL)	1	
003	17218-ZE1-821	FILTER, OUTER	1	
004	17231-Z4M-000	COVER, AIR CLEANER	1	1289794
004	17231-Z4M-010	COVER, AIR CLEANER	1	
005	17232-891-000	GROMMET, AIR CLEANER	1	
007	17238-ZE7-010	COLLAR, AIR CLEANER	2	
008	17239-ZE1-000	COLLAR B, AIR CLEANER	1	
009	17410-Z4M-010	ELBOW COMP., AIR CLEANER	1	
010	90325-044-000	NUT, TOOL BOX SETTING	1	
011	94050-06000	NUT, FLANGE, 6MM	2	
012	95701-0602000	BOLT, FLANGE, 6X20	1	
013	90300-Z1V-000	NUT, AIR CLEANER	1	

GX160UT2(SWX2)

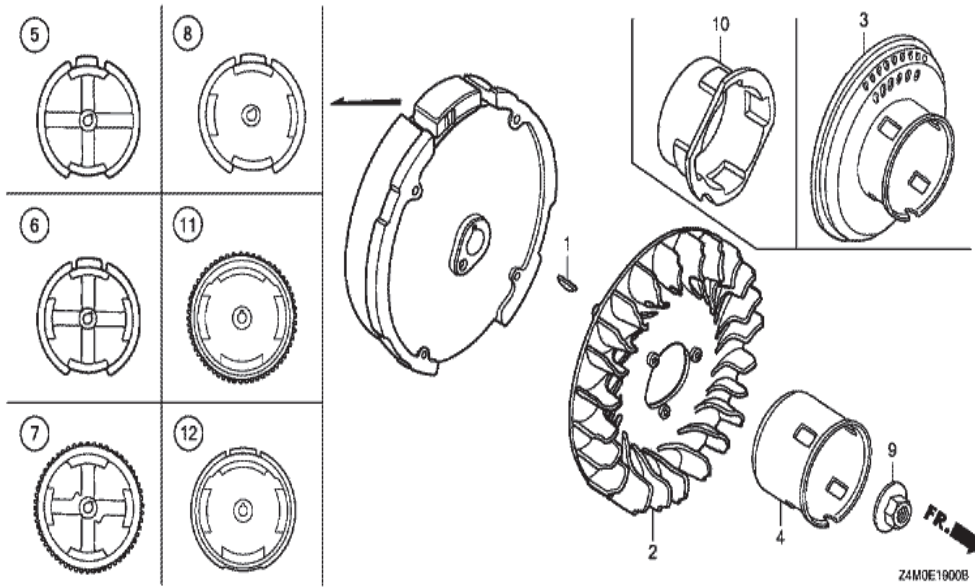
E-16 MUFFLER (1)



<u>Ref</u>	<u>Partnumber</u>	<u>Description</u>	<u>GX160UT2</u>	<u>Serial Numbers</u>
001	18310-Z4M-010	MUFFLER COMP.	1	
001	18310-Z4M-811	MUFFLER COMP. (ARRESTER)	(1)	
003	18320-Z4M-000	PROTECTOR COMP., MUFFLER (STD.)	1	
006	18340-ZE1-010	DEFLECTOR COMP.	1	
007	18355-ZE1-000	ARRESTER, SPARK	(1)	
009	18381-Z0T-801	GASKET, MUFFLER	1	
011	18522-ZE1-000	GUIDE, MUFFLER	1	
012	90002-Z0T-800	SCREW, TAPPING, 4X8	2	
014	90050-ZE1-000	SCREW, TAPPING, 5X8	4	
015	90055-ZE1-000	SCREW, TAPPING, 4X6	(1)	
019	94001-080000S	NUT, HEX., 8MM	2	

GX160UT2(SWX2)

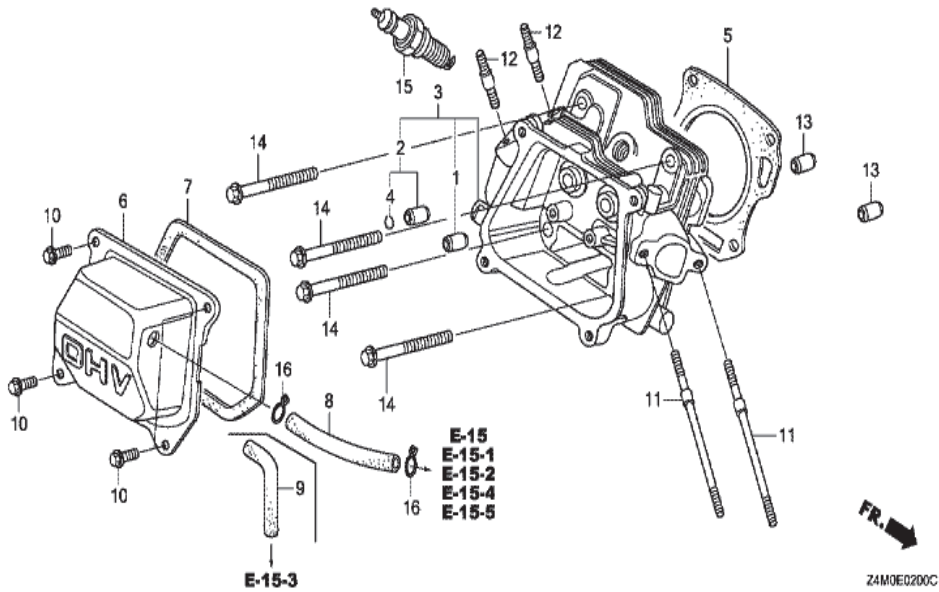
E-19 FLYWHEEL



<u>Ref</u>	<u>Partnumber</u>	<u>Description</u>	<u>GX160UT2</u>	<u>Serial Numbers</u>
001	13331-357-000	KEY, SPECIAL WOODRUFF, 25X18	1	
002	19511-ZE1-000	FAN, COOLING	1	
004	28451-ZH8-801	PULLEY, STARTER	1	
005	31110-Z4M-000	FLYWHEEL COMP.	1	
009	90201-Z0T-800	NUT, SPECIAL, 14MM	1	

GX160UT2(SWX2)

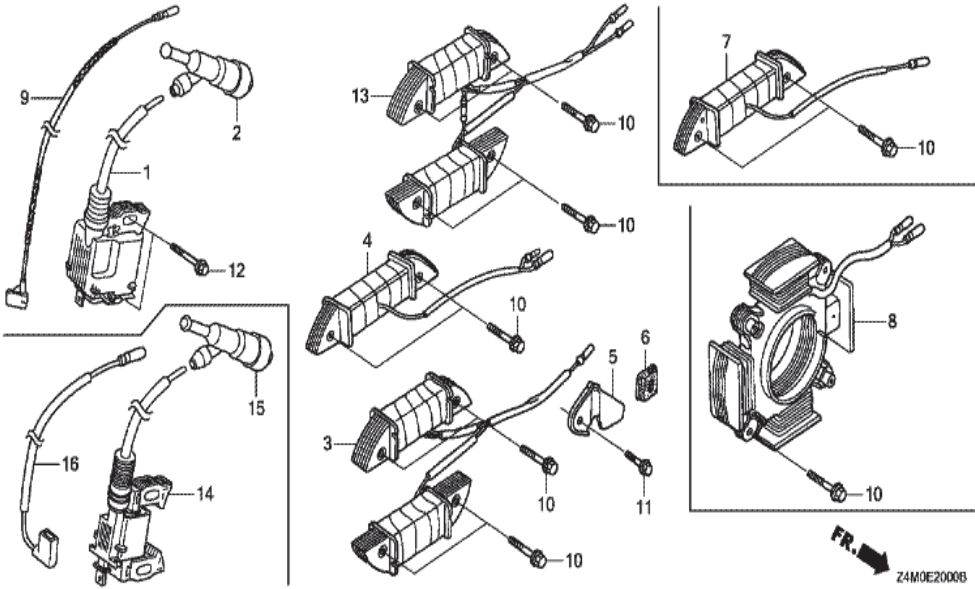
E-2 CYLINDER HEAD



<u>Ref</u>	<u>Partnumber</u>	<u>Description</u>	<u>GX160UT2</u>	<u>Serial Numbers</u>
001	12204-ZE1-306	GUIDE, IN. VALVE (OS)	1	
002	12205-ZE1-315	GUIDE, EX. VALVE (OS)	1	
003	12210-Z4M-405	HEAD COMP., CYLINDER	1	
004	12216-ZE5-300	CLIP, VALVE GUIDE	1	
005	12251-ZL0-003	GASKET, CYLINDER HEAD (NIPPON LEAKLESS)	1	
006	12310-Z4M-000	COVER COMP., HEAD	1	
007	12391-ZE1-000	PACKING, HEAD COVER	1	
008	15721-ZH8-000	TUBE, BREATHER	1	
010	90013-883-000	BOLT, FLANGE, 6X12 (CT200)	4	
011	90043-ZE1-020	BOLT, STUD, 6X112	2	
012	90047-ZE1-000	BOLT, STUD, 8X32	2	
013	94301-10160	DOWEL PIN, 10X16	2	
014	95701-0806000	BOLT, FLANGE, 8X60	4	
<u>Ref</u>	<u>Partnumber</u>	<u>Description</u>	<u>GX160UT2</u>	<u>Serial Numbers</u>
015	98079-55876	PLUG, SPARK (BPR5ES) (NGK)	(1)	
015	98079-56876	PLUG, SPARK (BPR6ES) (NGK)	1	

GX160UT2(SWX2)

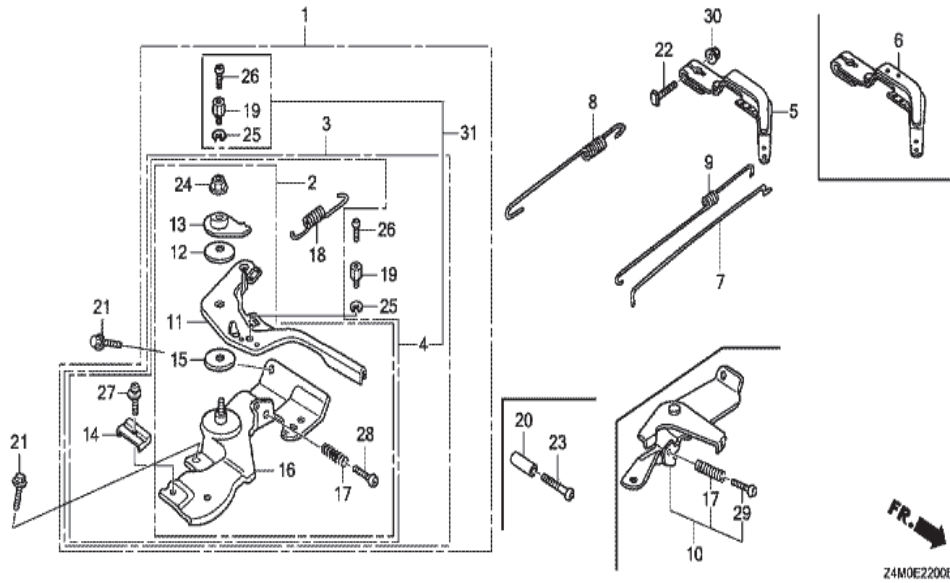
E-20 IGNITION COIL



<u>Ref</u>	<u>Partnumber</u>	<u>Description</u>	<u>GX160UT2</u>	<u>Serial Numbers</u>
001	30500-Z0T-802	COIL ASSY., IGNITION (TEC)	1	
002	30700-Z0T-811	CAP ASSY., NOISE SUPPRESSOR (NGK)	1	
009	36101-ZE1-010	CORD, STOP SWITCH (370MM)	1	
012	90121-952-000	BOLT, FLANGE, 6X25 (CT200)	2	

GX160UT2(SWX2)

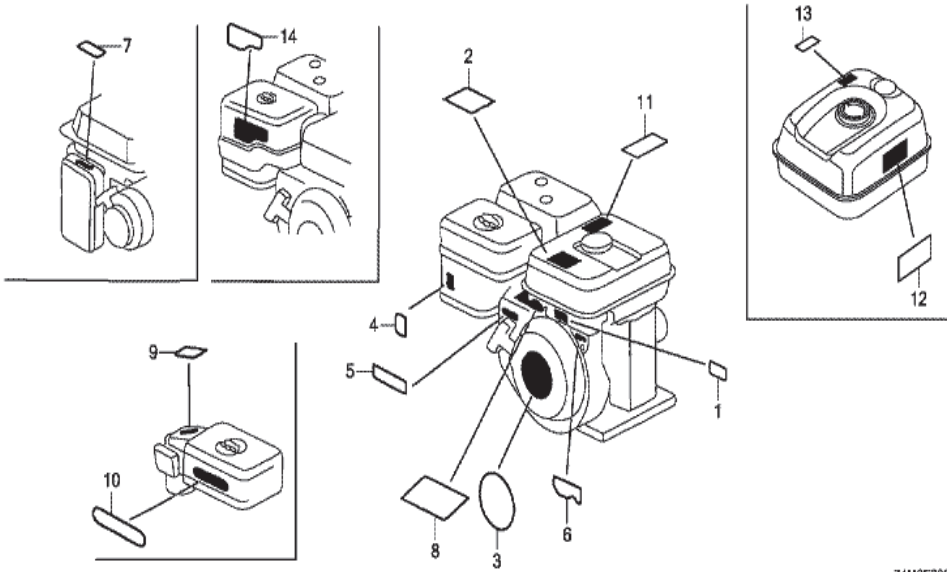
E-22 CONTROL



<u>Ref</u>	<u>Partnumber</u>	<u>Description</u>	<u>GX160UT2</u>	<u>Serial Numbers</u>
004	16500-Z4M-307	CONTROL ASSY. (REMOTE) (COO) (FOR U.S.A.)	1	
004	16500-Z4M-820	CONTROL ASSY. (REMOTE)	1	
005	16551-Z4M-000	ARM, GOVERNOR	1	
007	16555-Z4M-000	ROD, GOVERNOR	1	
008	16561-Z4M-000	SPRING, GOVERNOR	1	
009	16562-Z4M-000	SPRING, THROTTLE RETURN	1	
011	16571-Z4M-000	LEVER, CONTROL	1	
012	16574-ZE1-000	SPRING, LEVER	1	
013	16575-ZH8-000	WASHER, CONTROL LEVER	1	
014	16576-891-000	HOLDER, CABLE	1	
015	16578-ZE1-000	SPACER, CONTROL LEVER	1	
016	16580-Z4M-810	BASE COMP., CONTROL	1	
017	16584-883-300	SPRING, CONTROL ADJUSTING	1	
<u>Ref</u>	<u>Partnumber</u>	<u>Description</u>	<u>GX160UT2</u>	<u>Serial Numbers</u>
018	16592-ZE1-810	SPRING, CABLE RETURN	1	
020	16599-ZG1-M10	COLLAR, STOPPER	(1)	
021	90013-883-000	BOLT, FLANGE, 6X12 (CT200)	2	
022	90015-ZE5-010	BOLT, GOVERNOR ARM	1	
023	90016-ZG9-N30	SCREW, RECESSED, 5X25	(1)	
024	90114-SA0-000	NUT, SELF-LOCK, 6MM	1	
027	93500-050160A	SCREW, PAN, 5X16	1	
028	93500-050250H	SCREW, PAN, 5X25	1	
030	94050-06000	NUT, FLANGE, 6MM	1	

GX160UT2(SWX2)

E-28 LABEL

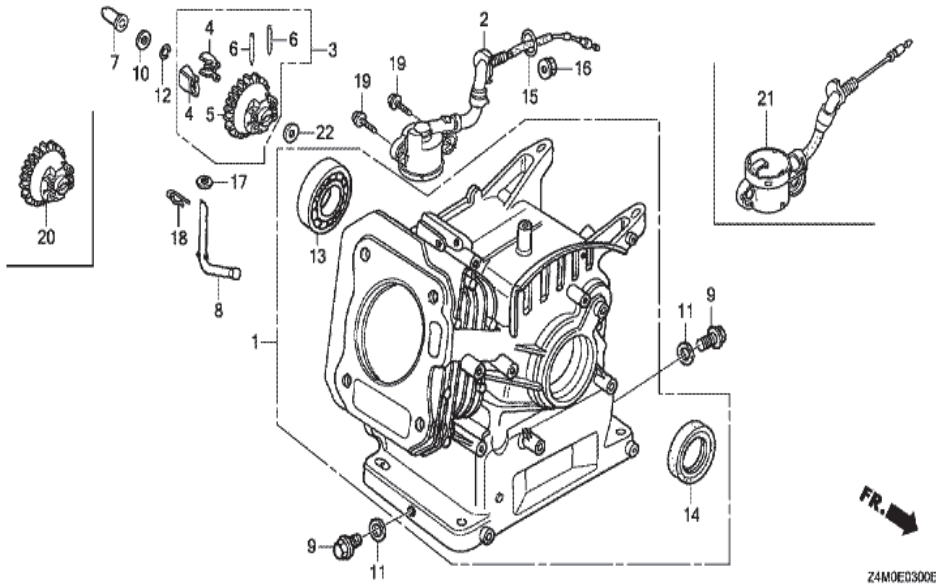


Z4M0E2800E

<u>Ref</u>	<u>Partnumber</u>	<u>Description</u>	<u>GX160UT2</u>	<u>Serial Numbers</u>
003	87521-Z4M-000	EMBLEM (GX160)	1	
004	87528-Z4M-000	MARK, CHOKE	1	
005	87532-ZH7-000	MARK, THROTTLE INDICATION	1	
012	87516-Z4H-010	MARK, OPERATOR CAUTION (ENGLISH) (MADE I	1	
013	87539-Z4M-000	MARK, EX. CAUTION (ENGLISH)	1	

GX160UT2(SWX2)

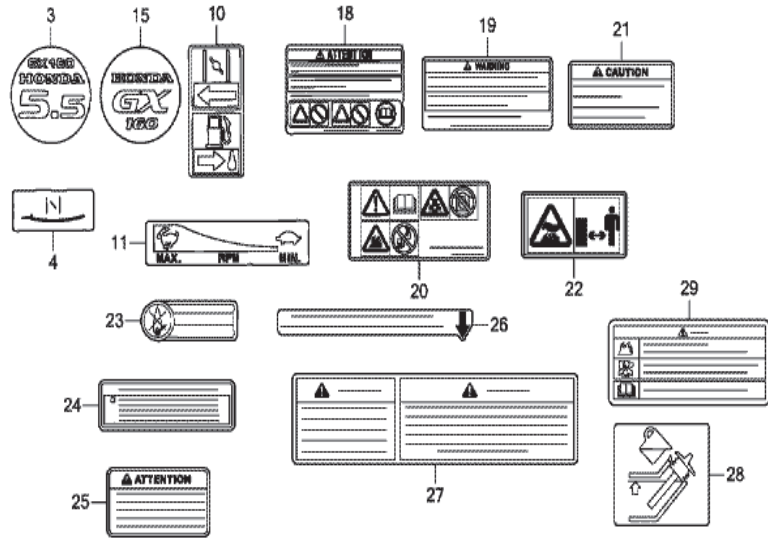
E-3 CYLINDER BARREL



<u>Ref</u>	<u>Partnumber</u>	<u>Description</u>	<u>GX160UT2</u>	<u>Serial Numbers</u>
001	12000-Z4M-416	BARREL ASSY., CYLINDER (OIL ALERT)	1	
003	16510-Z4M-000	GOVERNOR ASSY.	1	
004	16511-Z4M-000	WEIGHT, GOVERNOR	2	
005	16512-Z4M-000	HOLDER, GOVERNOR WEIGHT	1	
006	16513-ZE1-000	PIN, GOVERNOR WEIGHT	2	
007	16531-Z4M-000	SLIDER, GOVERNOR	1	
008	16541-Z4M-000	SHAFT, GOVERNOR ARM	1	
009	90131-ZE1-000	BOLT, DRAIN PLUG	2	
011	90601-ZE1-000	WASHER, DRAIN PLUG, 10.2MM	2	
012	90602-ZE1-000	CLIP, GOVERNOR HOLDER	1	
013	91001-Z4X-003	BEARING, RADIAL BALL (6205) (NSK)	1	
013	91001-ZF1-003	BEARING, RADIAL BALL (6205TMB) (NTN)	1	
013	91001-ZF1-004	BEARING, RADIAL BALL (6205SH) (KOYO)	1	
<u>Ref</u>	<u>Partnumber</u>	<u>Description</u>	<u>GX160UT2</u>	<u>Serial Numbers</u>
014	91201-Z0T-801	OIL SEAL, 25X41X6 (NOK)	1	
014	91202-YA0-P01	OIL SEAL, 25X41X6 (ARAI)	1	1541350
015	91353-671-004	O-RING, 14MM (NOK)	1	
016	94050-10000	NUT, FLANGE, 10MM	1	
017	94101-06800	WASHER, PLAIN, 6MM	1	
018	94251-08000	PIN, LOCK, 8MM	1	
019	95701-0601200	BOLT, FLANGE, 6X12	2	
021	35480-Z0T-003	SWITCH ASSY., OIL LEVEL	1	
022	94101-06800	WASHER, PLAIN, 6MM	1	

GX160UT2(SWX2)

E-40 OTHER PARTS (1)

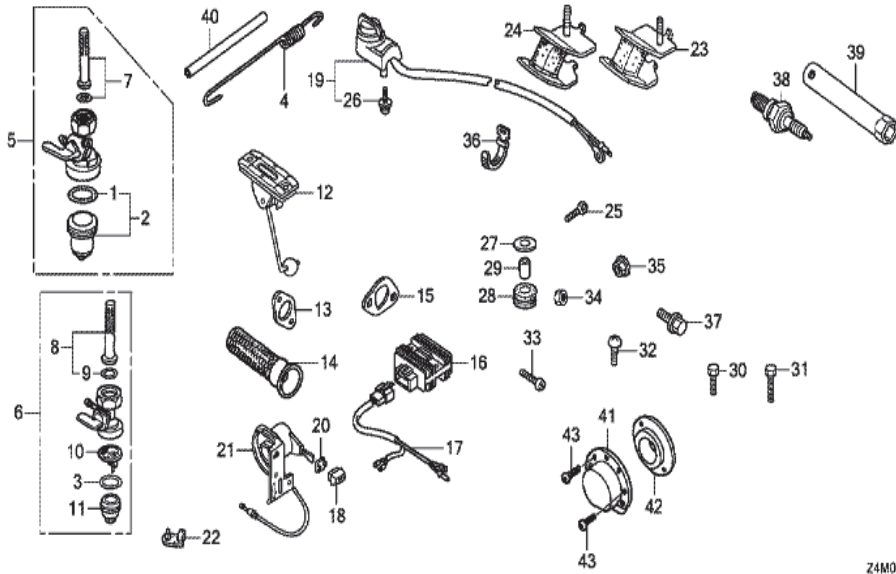


Z4M0E4000F

<u>Ref</u>	<u>Partnumber</u>	<u>Description</u>	<u>GX160UT2</u>	<u>Serial Numbers</u>
019	87516-Z4H-801	MARK, OPERATOR CAUTION (FRENCH) (MADE IN	1	
020	87519-Z4H-000	MARK, OPERATOR CAUTION (PICTOGRAPH)	1	
022	87539-Z4M-800	MARK, EX. CAUTION (PICTOGRAPH)	1	
025	87539-Z4M-810	MARK, EX. CAUTION (FRENCH)	1	

GX160UT2(SWX2)

E-40-2 OTHER PARTS (3)

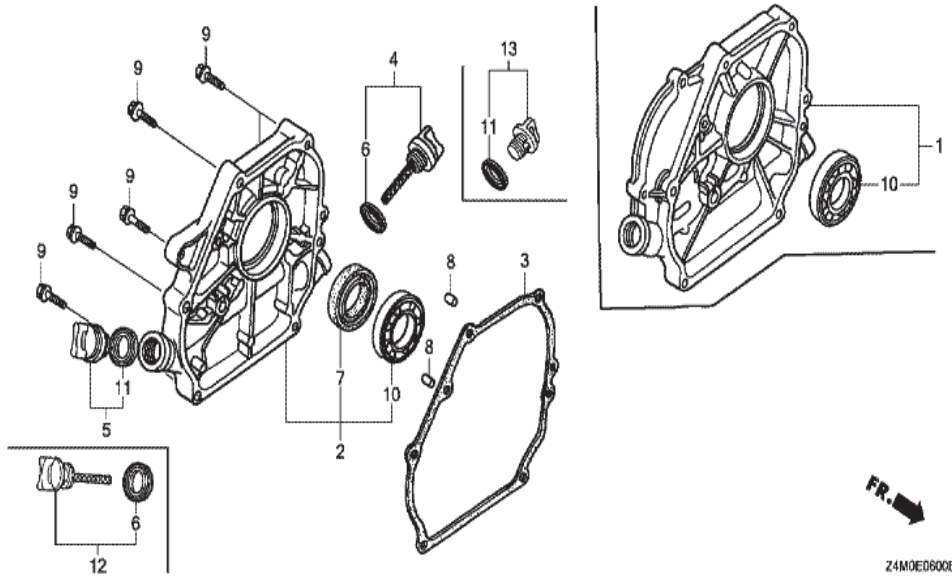


Z4M0E4002A

<u>Ref</u>	<u>Partnumber</u>	<u>Description</u>	<u>GX160UT2</u>	<u>Serial Numbers</u>
041	18340-ZE1-010	DEFLECTOR COMP.	1	
042	18522-ZE1-000	GUIDE, MUFFLER	1	
043	90002-Z0T-800	SCREW, TAPPING, 4X8	2	

GX160UT2(SWX2)

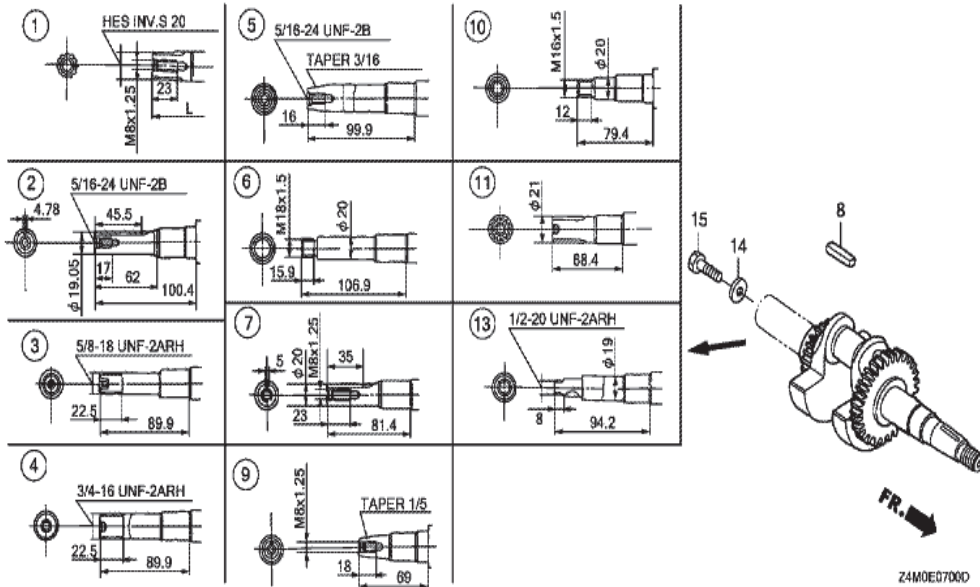
E-6 CRANKCASE COVER



<u>Ref</u>	<u>Partnumber</u>	<u>Description</u>	<u>GX160UT2</u>	<u>Serial Numbers</u>
002	11300-Z4M-000	COVER ASSY., CRANKCASE	1	
002	11300-ZE1-020	COVER ASSY., CRANKCASE	1	1037447
003	11381-ZH8-801	PACKING, CASE COVER (NON ASBESTOS)	1	
004	15600-Z0T-810	CAP ASSY., OIL FILLER (GAUGE) (GRAY)	1	
005	15600-Z0T-820	CAP ASSY., OIL FILLER (BLACK)	1	
007	91201-Z0T-801	OIL SEAL, 25X41X6 (NOK)	1	
007	91202-YA0-P01	OIL SEAL, 25X41X6 (ARAI)	1	1541350
008	94301-08140	DOWEL PIN, 8X14	2	
009	95701-0803200	BOLT, FLANGE, 8X32	6	
010	96100-6205000	BEARING, RADIAL BALL, 6205	1	
011	15625-Z0T-800	PACKING, OIL FILLER CAP	1	

GX160UT2(SWX2)

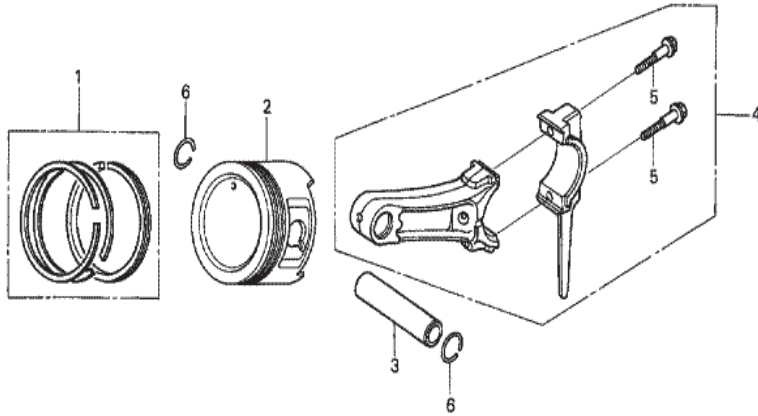
E-7 CRANKSHAFT



Ref	Partnumber	Description	GX160UT2	Serial Numbers
007	13310-Z4M-880	CRANKSHAFT COMP.	1	
008	90741-883-810	KEY, 5X5X33 (YELLOW)	1	
016	91001-Z4X-003	BEARING, RADIAL BALL (6205) (NSK)	1	
016	91001-ZF1-003	BEARING, RADIAL BALL (6205TMB) (NTN)	1	
016	91001-ZF1-004	BEARING, RADIAL BALL (6205SH) (KOYO)	1	

GX160UT2(SWX2)

E-8 PISTON



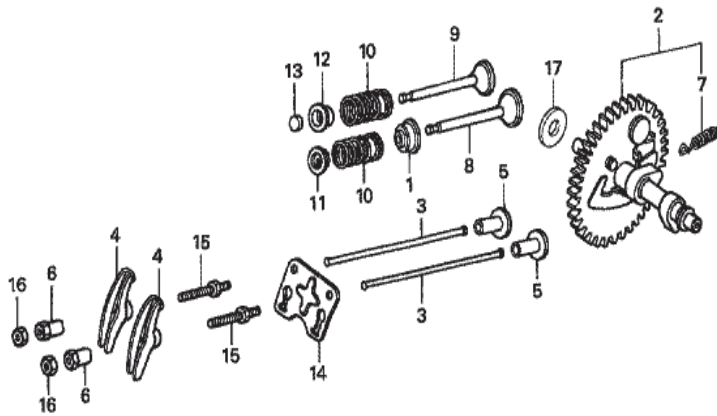
Z4M0-E0800



<u>Ref</u>	<u>Partnumber</u>	<u>Description</u>	<u>GX160UT2</u>	<u>Serial Numbers</u>
001	13010-Z4M-801	RING SET, PISTON (STD.) (RIKEN)	1	
001	13010-Z4M-802	RING SET, PISTON (STD.) (TPR)	1	
001	13011-Z4K-004	RING SET, PISTON (0.25) (TPR)	(1)	
001	13011-Z4M-003	RING SET, PISTON (0.25) (RIKEN)	(1)	
001	13012-Z4K-004	RING SET, PISTON (0.50) (TPR)	(1)	
001	13012-Z4M-003	RING SET, PISTON (0.50) (RIKEN)	(1)	
002	13101-Z4M-800	PISTON (STD.)	1	
002	13102-Z4M-800	PISTON (0.25)	(1)	
002	13103-Z4M-800	PISTON (0.50)	(1)	
003	13111-Z4M-000	PIN, PISTON	1	
004	13200-Z4M-000	ROD ASSY., CONNECTING	1	
004	13200-Z4M-305	ROD ASSY., CONNECTING (UNDER SIZE)	(1)	
005	90001-Z4M-000	BOLT, CONNECTING ROD, 6X34.5	2	
<u>Ref</u>	<u>Partnumber</u>	<u>Description</u>	<u>GX160UT2</u>	<u>Serial Numbers</u>
006	90551-ZE1-000	CLIP, PISTON PIN, 18MM	2	

GX160UT2(SWX2)

E-9 CAMSHAFT



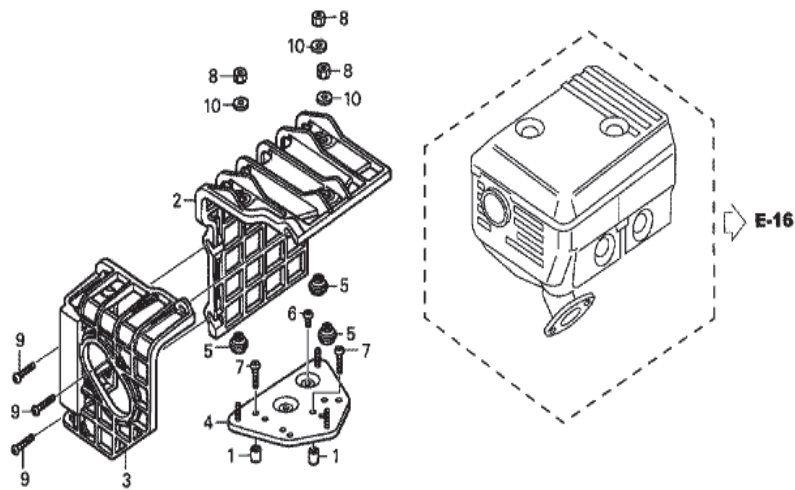
Z4MG-EG900A



<u>Ref</u>	<u>Partnumber</u>	<u>Description</u>	<u>GX160UT2</u>	<u>Serial Numbers</u>
001	12209-Z4M-801	SEAL, VALVE STEM	1	
002	14100-Z4M-000	CAMSHAFT ASSY.	1	
003	14410-Z4M-000	ROD COMP., PUSH	2	
004	14431-ZE1-000	ARM, VALVE ROCKER	2	
005	14441-ZE1-010	LIFTER, VALVE	2	
006	14451-ZE1-013	PIVOT, ROCKER ARM	2	
007	14568-ZE1-000	SPRING, WEIGHT RETURN	1	
008	14711-Z4M-000	VALVE, IN.	1	
009	14721-Z4M-000	VALVE, EX.	1	
010	14751-ZF1-000	SPRING, VALVE	2	
011	14771-Z0T-900	RETAINER, VALVE SPRING	1	1785061
011	14771-ZE1-000	RETAINER, IN. VALVE SPRING	1	1785060
012	14771-Z0T-900	RETAINER, VALVE SPRING	1	1785061
<u>Ref</u>	<u>Partnumber</u>	<u>Description</u>	<u>GX160UT2</u>	<u>Serial Numbers</u>
012	14771-ZE1-000	RETAINER, IN. VALVE SPRING	1	1785060
014	14791-Z4M-000	PLATE, PUSH ROD GUIDE	1	
015	90012-ZE0-010	BOLT, PIVOT, 8MM	2	
016	90206-ZE1-000	NUT, PIVOT ADJUSTING	2	

GX160UT2(SWX2)

EOP-1 MUFFLER COVER



Z4M0-X0100



<u>Ref</u>	<u>Partnumber</u>	<u>Description</u>	<u>GX160UT2</u>	<u>Serial Numbers</u>
001	17233-896-701	COLLAR, AIR CLEANER CASE	(2)	
002	18433-ZH8-W40	COVER COMP., MUFFLER	(1)	
003	18434-ZH8-W40	COVER COMP., RR. MUFFLER	(1)	
004	18436-ZH8-W41	BASE COMP., MUFFLER COVER	(1)	
005	18466-ZH8-W40	SPACER, MUFFLER COVER	(3)	
006	90050-ZE1-000	SCREW, TAPPING, 5X8	(1)	
007	90050-ZH8-W40	SCREW, TAPPING, 5X25	(2)	
008	90302-KF9-900	NUT, HEX., 5MM	(3)	
009	93891-0602007	SCREW-WASHER, 6X20	(3)	
010	94103-05700	WASHER, PLAIN, 5MM	(3)	

