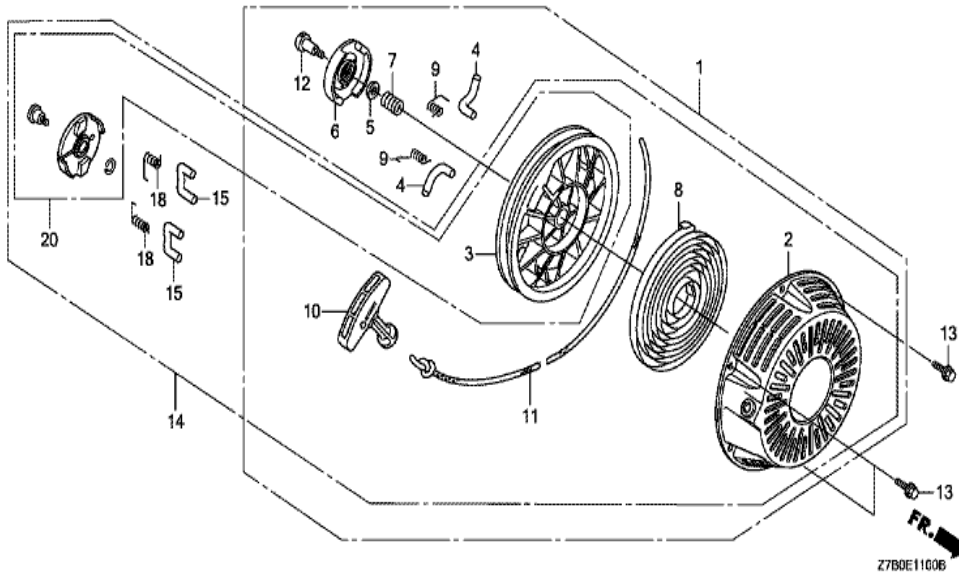


GX270H(SH)

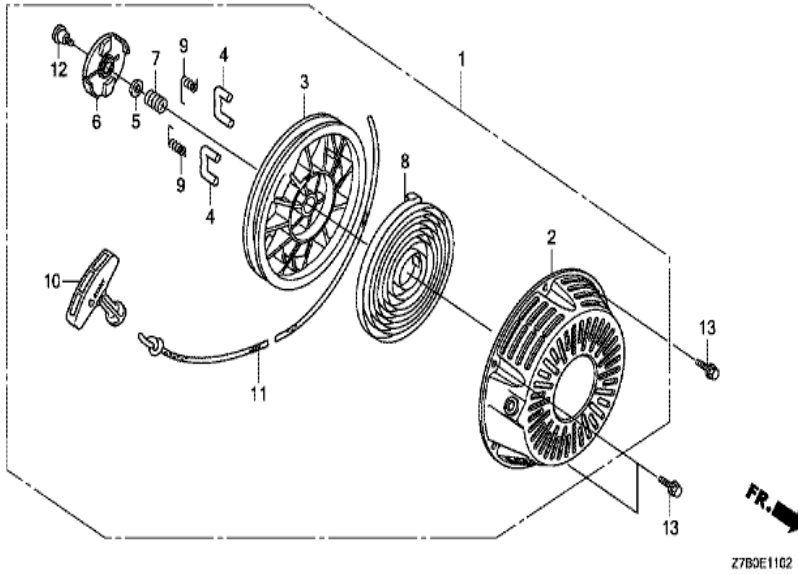
E-11 RECOIL STARTER (1)



<u>Ref</u>	<u>Partnumber</u>	<u>Description</u>	<u>GX270H</u>	<u>Serial Numbers</u>
001	28400-Z7B-003ZA	STARTER ASSY., RECOIL *R280 *	1	0082366
002	28410-Z7B-003ZA	CASE COMP., RECOIL STARTER *R280 *	1	0082366
002	28410-Z7B-701ZA	CASE COMP., RECOIL STARTER *R280*	1	0082367 0140283
003	28420-Z7B-003	REEL, RECOIL STARTER	1	0082366
004	28422-ZH8-801	RATCHET, STARTER	2	0082366
005	28431-ZH8-801	PLATE, FRICTION	1	0000722 0082366
006	28433-Z2E-003	GUIDE, RATCHET	1	0082366
007	28441-Z2E-003	SPRING, FRICTION	1	0082366
008	28442-Z7E-003	SPRING, RECOIL STARTER	1	0140283
009	28443-ZH8-801	SPRING, RETURN	2	0082366
010	28461-Z2E-003	GRIP, STARTER	1	0140283
011	28462-Z7B-003	ROPE, RECOIL STARTER	1	0082366
011	28462-Z7B-701	ROPE, RECOIL STARTER (LONG TYPE)	1	0082367 0140283
<u>Ref</u>	<u>Partnumber</u>	<u>Description</u>	<u>GX270H</u>	<u>Serial Numbers</u>
012	90003-ZH8-801	SCREW, SETTING	1	0082366
013	90008-Z1T-000	BOLT, FLANGE, 6X10	3	0140283
013	90008-ZE2-003	BOLT, FLANGE, 6X10	3	0140283
014	28400-Z7B-701ZA	STARTER ASSY., RECOIL *R280*	1	0082367 0140283
015	28422-Z7E-701	RATCHET, STARTER	2	0082367 0140283
018	28443-Z1T-701	SPRING, RETURN	2	0082367 0140283
020	06280-Z7B-305	STARTER SET, RECOIL	1	0082367 0140283

GX270H(SH)

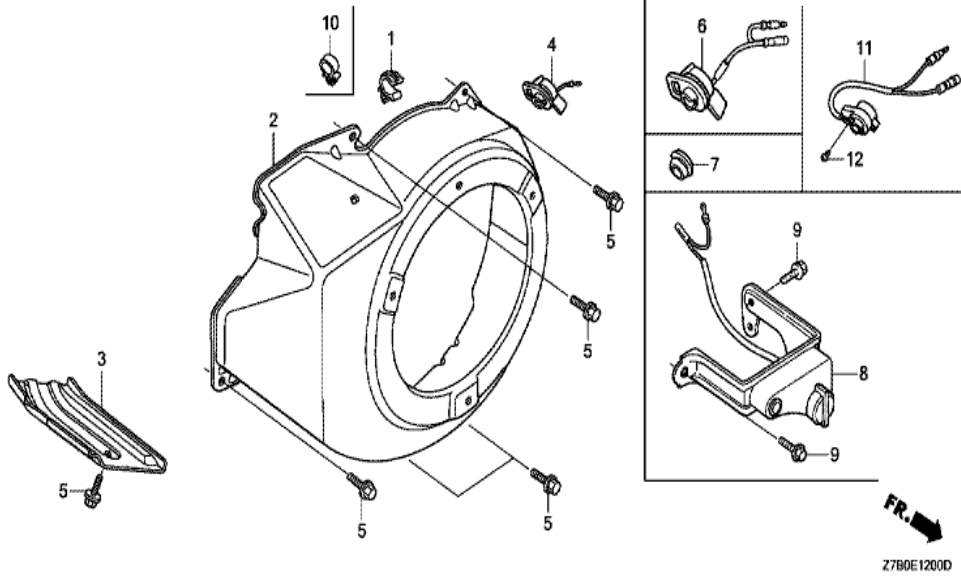
E-11-2 RECOIL STARTER (3)



Ref	Partnumber	Description	GX270H	Serial Numbers
001	28400-Z7B-702ZA	STARTER ASSY., RECOIL *R280*	1	0140284
002	28410-Z7B-701ZA	CASE COMP., RECOIL STARTER *R280*	1	0140284
003	28420-Z7B-702	REEL, RECOIL STARTER (BLACK)	1	0140284
004	28422-Z7E-701	RATCHET, STARTER	2	0140284
005	28431-Z2E-003	PLATE, FRICTION	1	0140284
006	28433-Z7B-702	GUIDE, RATCHET	1	0140284
007	28441-Z2E-003	SPRING, FRICTION	1	0140284
008	28442-Z7E-003	SPRING, RECOIL STARTER	1	0140284
009	28443-Z1T-701	SPRING, RETURN	2	0140284
010	28461-Z2E-003	GRIP, STARTER	1	0140284
011	28462-Z7B-701	ROPE, RECOIL STARTER (LONG TYPE)	1	0140284
012	90003-ZH8-801	SCREW, SETTING	1	0140284
013	90008-Z1T-000	BOLT, FLANGE, 6X10	3	0140284

GX270H(SH)

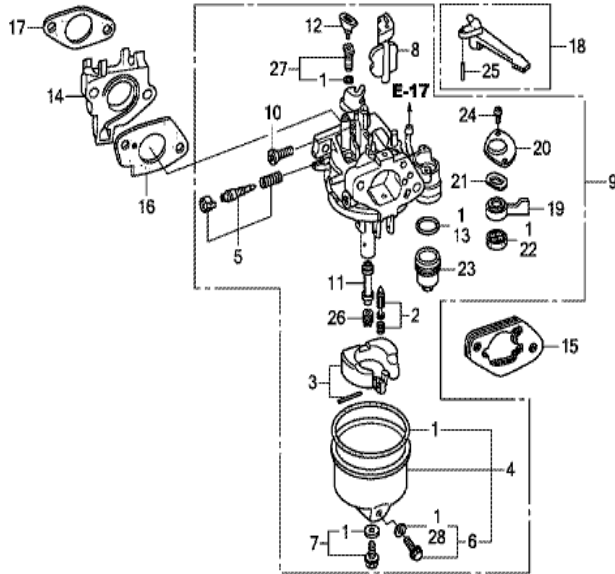
E-12 FAN COVER (1)



<u>Ref</u>	<u>Partnumber</u>	<u>Description</u>	<u>GX270H</u>	<u>Serial Numbers</u>
001	16731-Z7E-000	CLIP, TUBE	1	0005028
002	19610-Z7B-000ZA	COVER COMP., FAN *R280 *	1	
003	19631-ZE2-D00	SHROUD	1	
004	35120-Z0D-V81	SWITCH ASSY., ENGINE STOP	1	
004	36100-ZE1-015	SWITCH ASSY., ENGINE STOP	1	
005	90013-883-000	BOLT, FLANGE, 6X12 (CT200)	6	

GX270H(SH)

E-14 CARBURETOR (1)

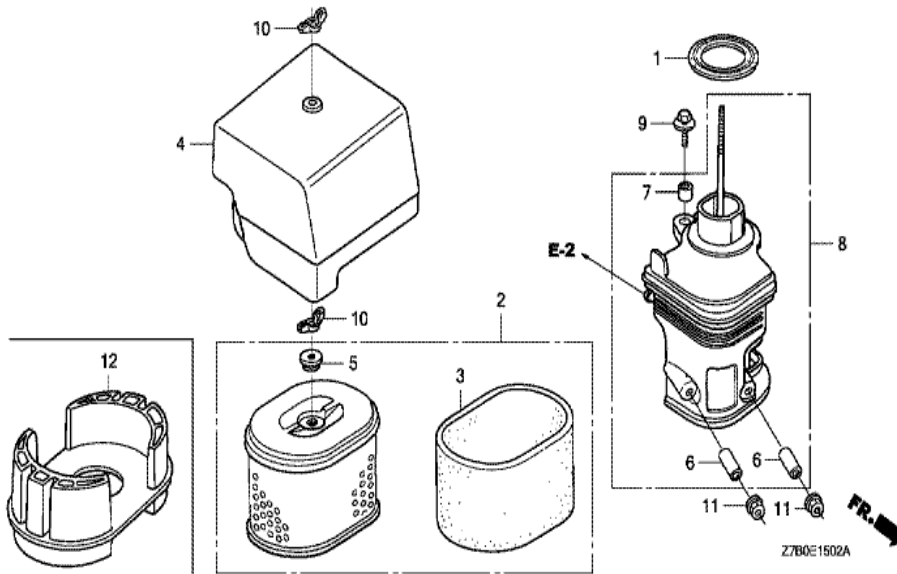


Z7B0E1400A

<u>Ref</u>	<u>Partnumber</u>	<u>Description</u>	<u>GX270H</u>	<u>Serial Numbers</u>
001	16010-ZE2-812	GASKET SET	1	
002	16011-ZA0-931	VALVE SET, FLOAT	1	
003	16013-Z1C-003	FLOAT SET	1	
004	16015-ZE8-005	CHAMBER SET, FLOAT	1	
005	16016-ZH7-W01	SCREW SET, PILOT	1	
006	16024-ZE1-811	SCREW SET, DRAIN	1	
007	16028-ZE0-005	SCREW SET	1	
008	16044-ZE2-005	CHOKE SET	1	
009	16100-Z7B-811	CARBURETOR ASSY. (BE70L A)	1	
010	16124-ZE0-005	SCREW, THROTTLE STOP	1	
011	16166-ZH9-W20	NOZZLE, MAIN	1	
012	16172-ZE3-W10	COLLAR, SETTING	1	
013	16173-001-004	O-RING	1	
<u>Ref</u>	<u>Partnumber</u>	<u>Description</u>	<u>GX270H</u>	<u>Serial Numbers</u>
014	16211-Z7B-000	INSULATOR, CARBURETOR	1	0028936
014	16211-Z7B-010	INSULATOR, CARBURETOR	1	0028937
015	16220-ZA0-702	SPACER COMP., CARBURETOR	1	
016	16221-Z7B-701	PACKING, CARBURETOR (NINGBO SIL GASKET)	1	
016	16221-ZA0-800	PACKING, CARBURETOR	1	
017	16212-Z7B-701	PACKING, INSULATOR (NINGBO SIL GASKET)	1	
017	16223-ZA0-800	PACKING, INSULATOR	1	
018	16610-Z1T-000	LEVER COMP., CHOKE (STD.)	1	
018	16610-ZE1-000	LEVER COMP., CHOKE (STD.)	1	
019	16953-ZE1-812	LEVER, COCK	1	
020	16954-ZE1-812	PLATE, LEVER SETTING	1	
021	16956-ZE1-811	SPRING, COCK LEVER	1	
022	16957-ZE1-812	PACKING, FUEL COCK	1	
023	16967-ZE0-811	CUP, FUEL STRAINER	1	
024	93500-030061H	SCREW, PAN, 3X6	2	
025	94305-20122	PIN, SPRING, 2X12	1	
026	99101-ZH80800	JET, MAIN, #80	(1)	
026	99101-ZH80820	JET, MAIN, #82	(1)	
026	99101-ZH80850	JET, MAIN, #85	1	
027	99204-ZE20400	JET SET, PILOT, #40	1	
028	16141-Z0S-003	WASHER, PLAIN (6.2X10.7 DRAIN)	1	

GX270H(SH)

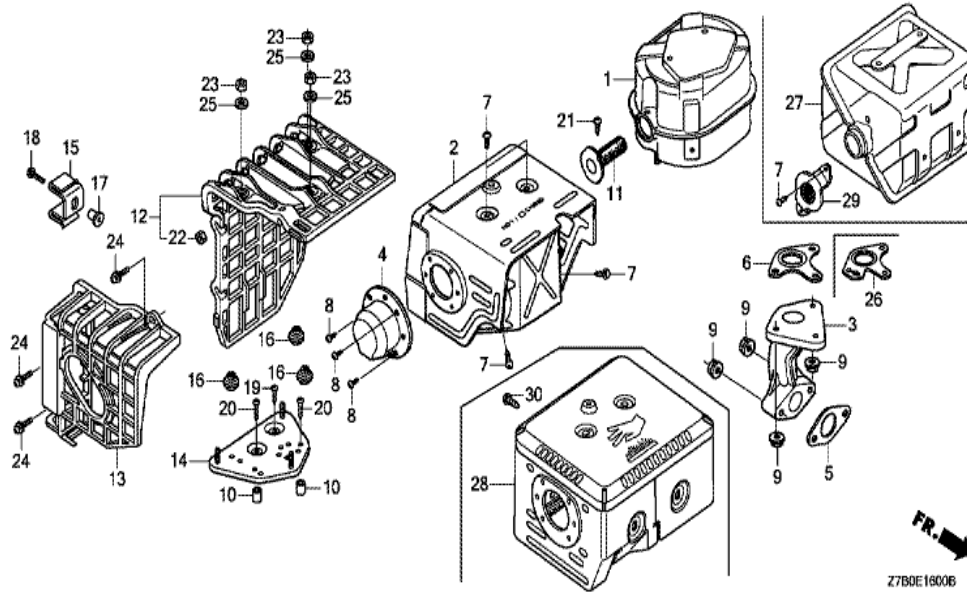
E-15-2 AIR CLEANER (DUAL)



Ref	Partnumber	Description	GX270H	Serial Numbers
001	16271-ZE2-010	PACKING, ELBOW	1	
002	17210-ZE2-822	ELEMENT, AIR CLEANER (DUAL)	1	
003	17218-ZE2-821	FILTER, OUTER	1	
004	17231-ZH9-820	COVER, AIR CLEANER	1	
005	17232-891-000	GROMMET, AIR CLEANER	1	
006	17238-ZE2-310	COLLAR, AIR CLEANER	2	
007	17239-ZE1-000	COLLAR B, AIR CLEANER	1	
008	17410-ZE2-020	ELBOW COMP., AIR CLEANER	1	0136755
008	17410-ZE2-030	ELBOW COMP., AIR CLEANER	1	
009	90009-ZE2-003	BOLT-WASHER, 6X22	1	
010	90325-044-000	NUT, TOOL BOX SETTING	2	
011	94050-06000	NUT, FLANGE, 6MM	2	

GX270H(SH)

E-16 MUFFLER (1)

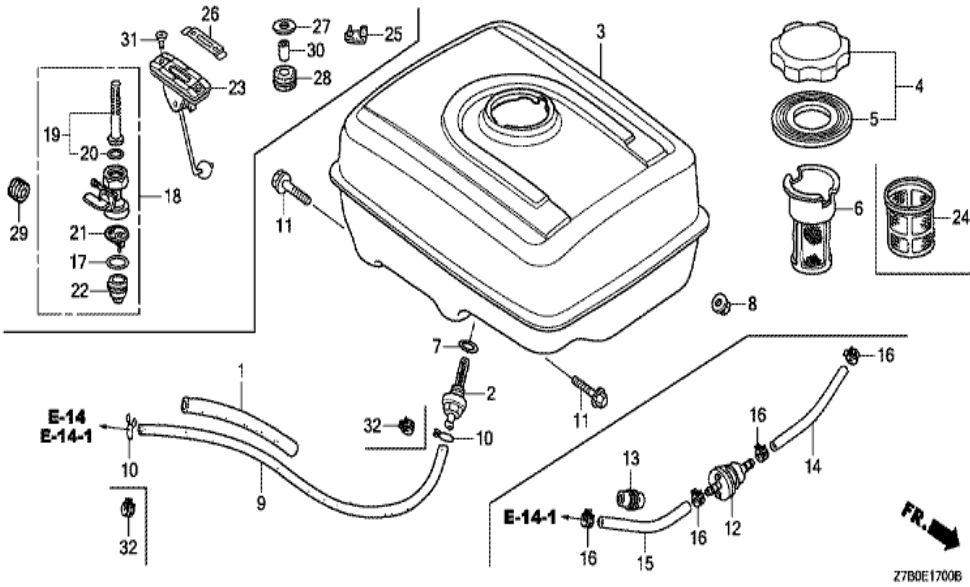


Z7B0E1600B

Ref	Partnumber	Description	GX270H	Serial Numbers
001	18310-ZE2-W00	MUFFLER COMP.	1	0121756
001	18310-ZE2-W01	MUFFLER COMP.	1	
002	18320-ZE2-W01	PROTECTOR COMP., MUFFLER (STD.)	1	0017158
002	18320-ZE2-W02	PROTECTOR COMP., MUFFLER (STD.)	1	0017159
003	18330-ZE2-W00	PIPE, EX.	1	
005	18333-Z7B-701	GASKET, EX. PIPE (NINGBO SIL GASKET)	1	
005	18333-ZE3-800	GASKET, EX. PIPE	1	
006	18381-Z1C-801	GASKET, MUFFLER (THAI LEAKLESS)	1	
006	18381-ZE2-800	GASKET, MUFFLER (NIPPON LEAKLESS)	1	0029745
006	18381-ZE2-801	GASKET, MUFFLER (NIPPON LEAKLESS)	1	0029746
007	90050-ZE1-000	SCREW, TAPPING, 5X8	4	
009	94050-08000	NUT, FLANGE, 8MM	5	

GX270H(SH)

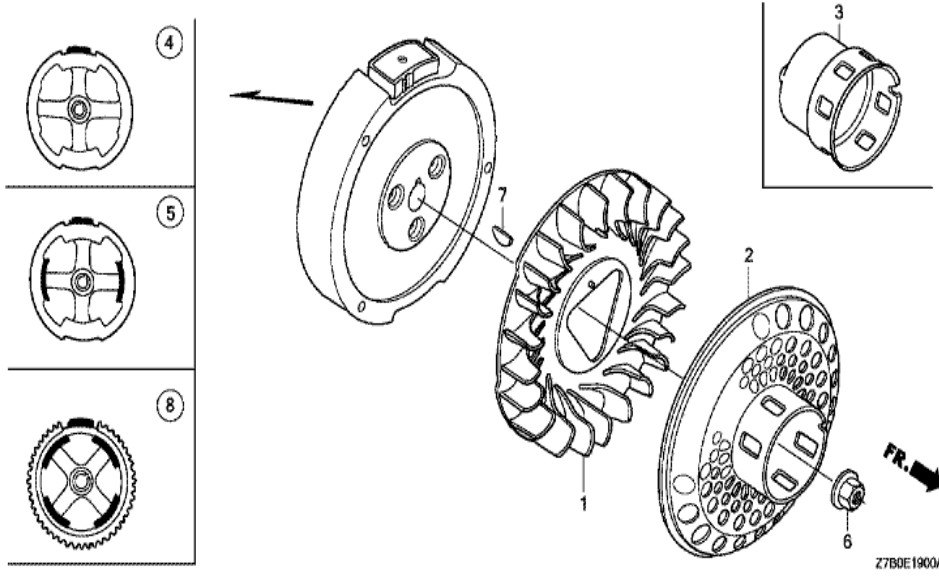
E-17 FUEL TANK



Ref	Partnumber	Description	GX270H	Serial Numbers
001	16854-ZH8-000	RUBBER, SUPPORTER (107MM)	1	
002	16955-Z1T-010	JOINT, FUEL TANK	1	
002	16955-ZE1-000	JOINT, FUEL TANK	1	
003	17510-ZE2-801ZC	TANK COMP., FUEL *NH31 *	1	
004	17620-Z1T-800	CAP COMP., FUEL FILLER (CHROME PLATED) (1	
005	17631-Z1T-800	PACKING, FUEL FILLER CAP (39X62X3) (TOYO	1	
007	91353-671-004	O-RING, 14MM (NOK)	1	
008	94050-08000	NUT, FLANGE, 8MM	2	
009	95001-4522240	TUBE, FUEL, 4.5X222 (95001-45001-60M)	1	
010	95002-02080	CLIP, TUBE (B8)	2	
011	95701-0802500	BOLT, FLANGE, 8X25	2	

GX270H(SH)

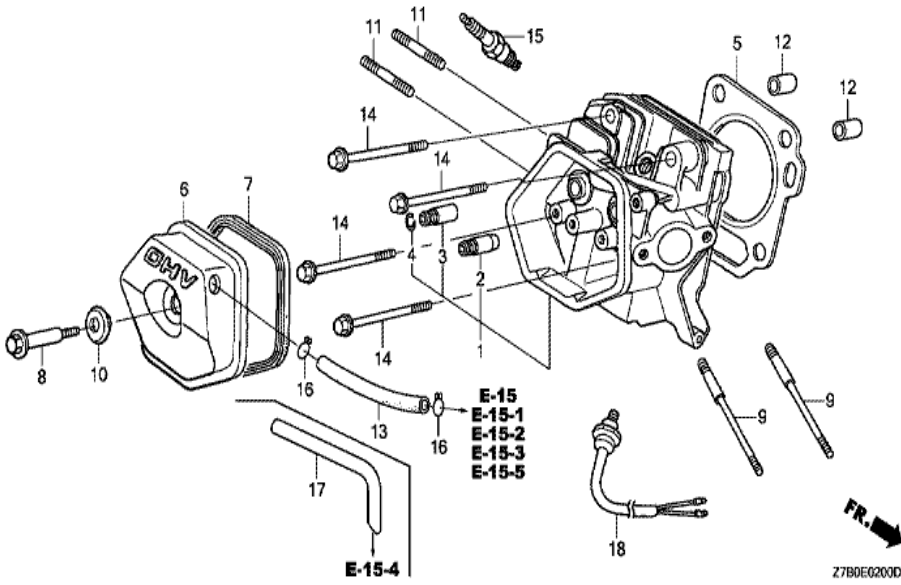
E-19 FLYWHEEL



Ref	Partnumber	Description	GX270H	Serial Numbers
001	19511-Z7B-000	FAN, COOLING	1	0000155
002	28450-Z7B-000	PULLEY COMP., STARTER	1	0082366
002	28450-Z7B-700	PULLEY COMP., STARTER	1	0082367
002	28450-Z7B-701	PULLEY COMP., STARTER	1	0082367
004	31110-Z7B-602	FLYWHEEL COMP.	1	
004	31110-Z7B-801	FLYWHEEL COMP.	1	
006	90201-ZE3-V00	NUT, SPECIAL, 16MM	1	
007	90741-ZE2-000	KEY, SPECIAL WOODRUFF, 25X18	1	

GX270H(SH)

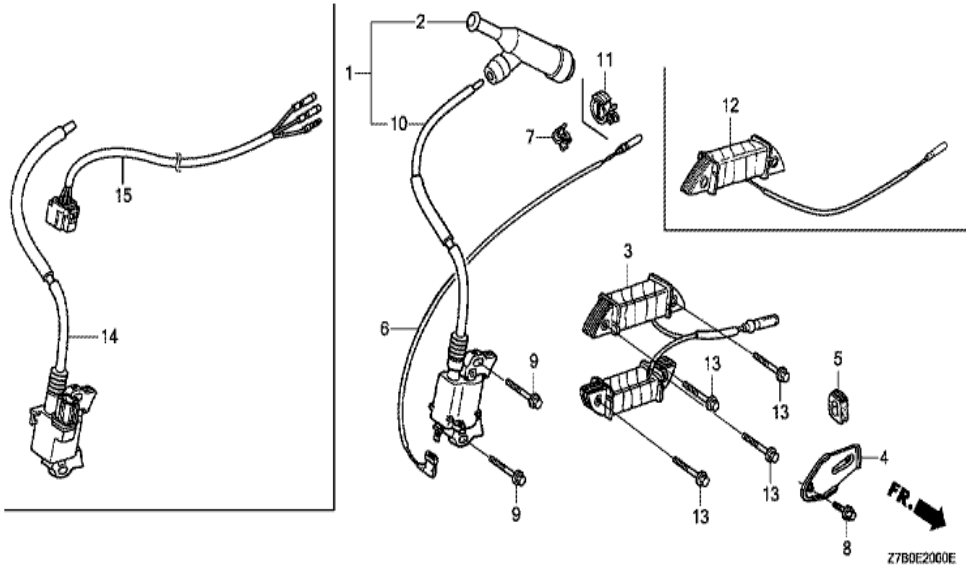
E-2 CYLINDER HEAD



<u>Ref</u>	<u>Partnumber</u>	<u>Description</u>	<u>GX270H</u>	<u>Serial Numbers</u>
001	12200-Z7B-000	HEAD COMP., CYLINDER	1	
002	12204-ZE2-306	GUIDE, IN. VALVE (O.S.)	1	
003	12205-ZE2-305	GUIDE, EX. VALVE (O.S.)	1	
004	12216-ZE2-300	CLIP, VALVE GUIDE	1	
005	12251-ZH9-000	GASKET, CYLINDER HEAD	1	
006	12310-ZE2-020	COVER COMP., HEAD	1	
007	12391-ZE2-020	PACKING, HEAD COVER	1	
008	90014-ZE2-000	BOLT, HEAD COVER	1	
009	90042-ZE2-000	BOLT, STUD, 8X123	2	
010	90441-ZE2-010	WASHER COMP., HEAD COVER	1	
011	92900-080320E	BOLT, STUD, 8X32	2	
012	94301-12200	DOWEL PIN, 12X20	2	
013	95005-1110030	TUBE, 11X100 (95005-11001-30M)	1	
<u>Ref</u>	<u>Partnumber</u>	<u>Description</u>	<u>GX270H</u>	<u>Serial Numbers</u>
014	95701-1008000	BOLT, FLANGE, 10X80	4	0004283
014	95725-1008000	BOLT, FLANGE, 10X80	4	0004282
015	98079-55846	PLUG, SPARK (BPR5ES) (NGK)	(1)	
015	98079-55855	PLUG, SPARK (W16EPR-U) (DENSO)	(1)	
015	98079-56846	PLUG, SPARK (BPR6ES) (NGK)	1	

GX270H(SH)

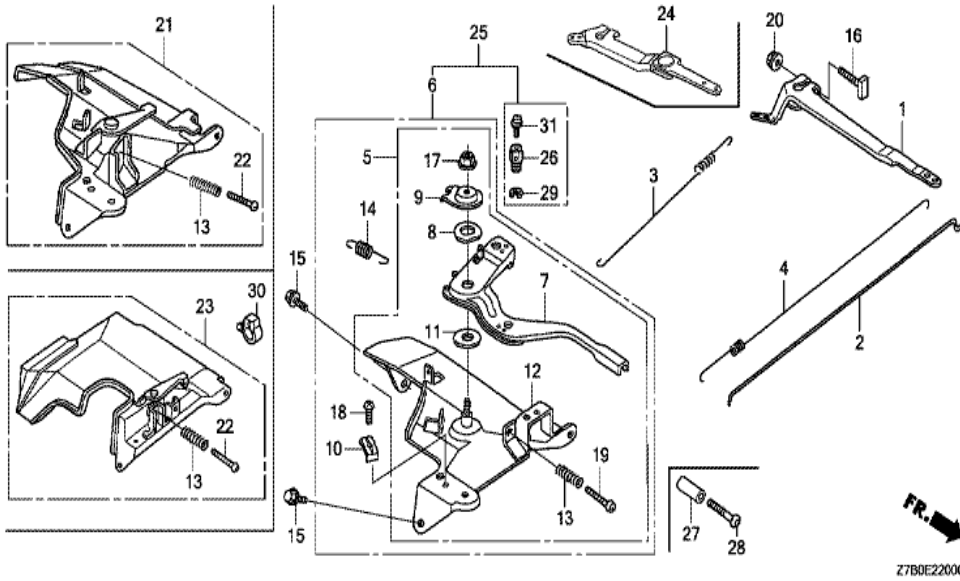
E-20 IGNITION COIL



Ref	Partnumber	Description	GX270H	Serial Numbers
001	30100-Z7E-305	COIL ASSY., IGNITION & CAP ASSY., NOI	1	0329821
001	30500-Z7E-003	COIL ASSY., IGNITION	1	0001678 0329821
002	30700-Z1T-003	CAP ASSY., NOISE SUPPRESSOR (TEC)	1	0329821
002	30700-Z1T-601	CAP ASSY., NOISE SUPPRESSOR (TOYO)	1	0329822
005	31512-ZE2-000	GROMMET, CORD	1	
006	36101-ZE1-010	CORD, STOP SWITCH (370MM)	1	
007	36103-V42-000	HOLDER, STOP SWITCH CORD	1	
009	90015-883-000	BOLT, FLANGE, 6X28 (CT200)	2	
010	30500-Z7E-601	COIL ASSY., IGNITION	1	0329822

GX270H(SH)

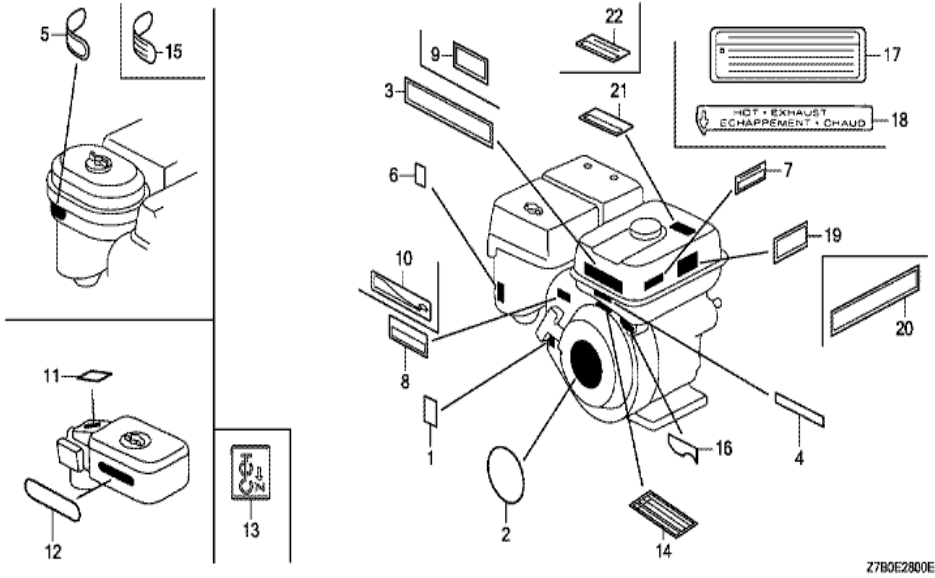
E-22 CONTROL



<u>Ref</u>	<u>Partnumber</u>	<u>Description</u>	<u>GX270H</u>	<u>Serial Numbers</u>
001	16551-ZE2-000	ARM, GOVERNOR	1	
002	16555-ZE2-000	ROD, GOVERNOR	1	
003	16561-ZE2-000	SPRING, GOVERNOR (L=145.0MM) (WIRE DIAME	1	
004	16562-ZE2-000	SPRING, THROTTLE RETURN	1	
006	16570-ZE2-W20	CONTROL ASSY. (REMOTE)	1	
007	16571-ZE2-W00	LEVER, CONTROL	1	
008	16574-ZE1-000	SPRING, LEVER	1	
009	16575-ZE2-W00	WASHER, CONTROL LEVER	1	
010	16576-891-000	HOLDER, CABLE	1	
011	16578-ZE1-000	SPACER, CONTROL LEVER	1	
012	16581-ZE2-W00	BASE COMP., CONTROL (###)	1	
013	16584-883-300	SPRING, CONTROL ADJUSTING	1	
014	16592-883-310	SPRING, CABLE RETURN	1	
<u>Ref</u>	<u>Partnumber</u>	<u>Description</u>	<u>GX270H</u>	<u>Serial Numbers</u>
015	90013-883-000	BOLT, FLANGE, 6X12 (CT200)	2	
016	90015-ZE5-010	BOLT, GOVERNOR ARM	1	
017	90114-SA0-000	NUT, SELF-LOCK, 6MM	1	0047385
017	90202-Z1T-000	NUT, SELF-LOCK, 6MM	1	0046476
017	90202-Z1T-000	NUT, SELF-LOCK, 6MM	1	0047386
018	93500-050160A	SCREW, PAN, 5X16	1	
019	93500-050280A	SCREW, PAN, 5X28	1	
020	94050-06000	NUT, FLANGE, 6MM	1	

GX270H(SH)

E-28 LABEL

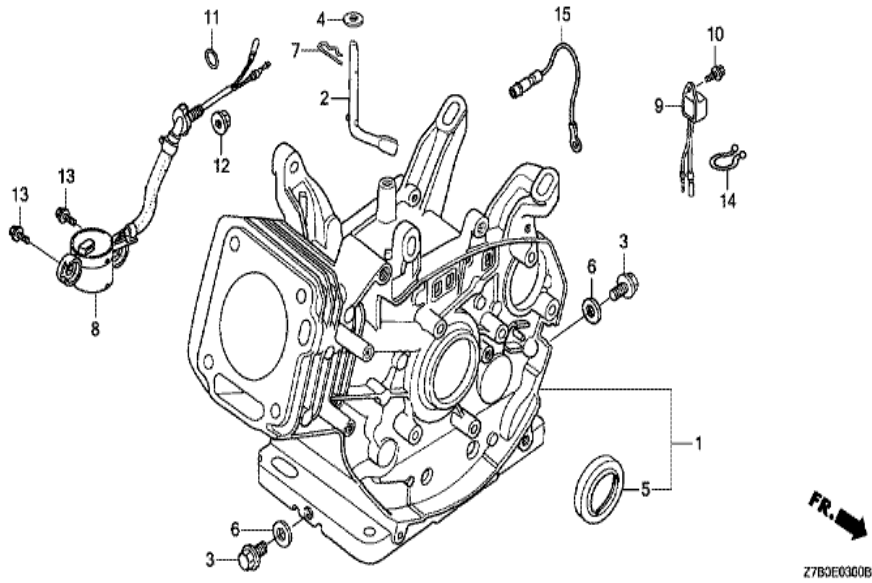


Z7B0E2800E

Ref	Partnumber	Description	GX270H	Serial Numbers
001	87114-ZH7-000	LABEL, WARNING (NOT CERTIFIED FOR SALE)	1	
002	87521-ZH9-040	EMBLEM (GX270)	1	
003	87522-ZH9-010	LABEL, CAUTION (ENGLISH, ETC.)	1	
004	87522-Z1T-J00	LABEL, CAUTION (CHINESE)	1	
006	87528-Z7E-000	MARK, CHOKE	1	
009	87516-ZK6-810	MARK, OPERATOR CAUTION (CHINESE) (MADE I	1	

GX270H(SH)

E-3 CYLINDER BARREL

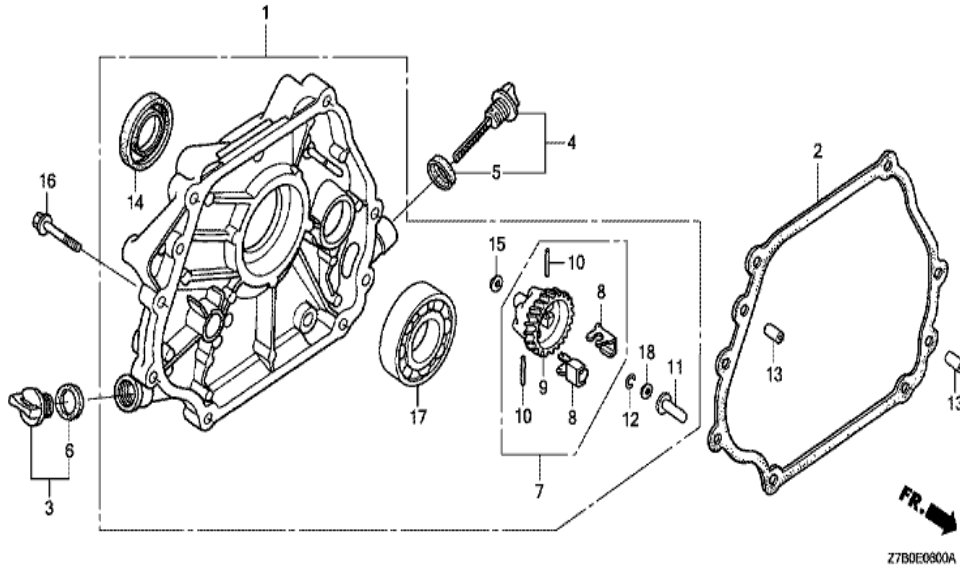


Z7B0E0300B

<u>Ref</u>	<u>Partnumber</u>	<u>Description</u>	<u>GX270H</u>	<u>Serial Numbers</u>
001	12000-Z7B-405	BARREL ASSY., CYLINDER	1	
002	16541-Z7B-000	SHAFT, GOVERNOR ARM	1	0000155
003	90131-883-000	BOLT, DRAIN PLUG, 12X15	2	
004	90446-Z7E-000	WASHER, 8.2X17X0.8	1	
005	91201-Z7B-003	OIL SEAL, 30X46X8	1	
006	94109-12000	WASHER, DRAIN PLUG, 12MM	2	
007	94251-10000	PIN, LOCK, 10MM	1	

GX270H(SH)

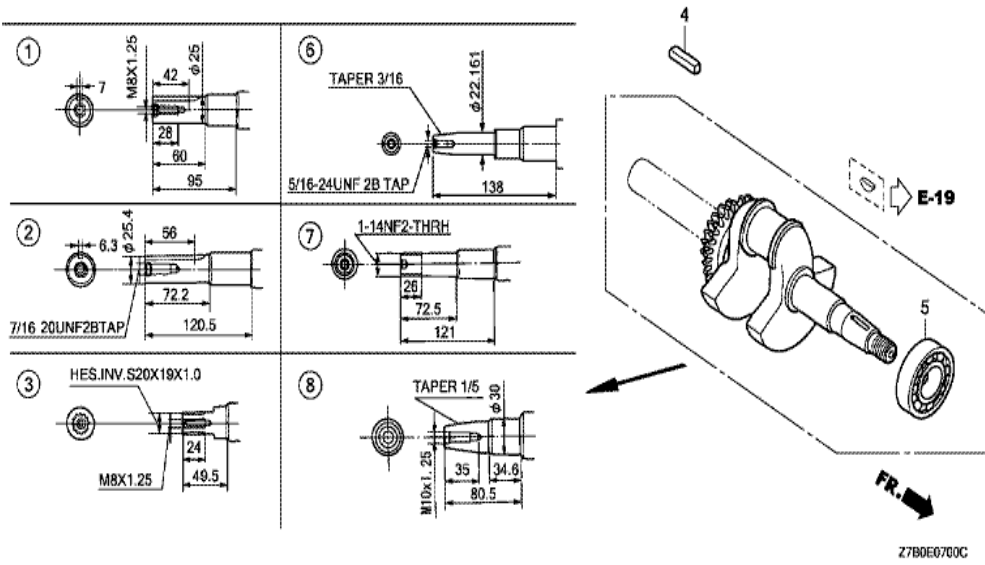
E-6 CRANKCASE COVER (1)



Z7B0E0800A

<u>Ref</u>	<u>Partnumber</u>	<u>Description</u>	<u>GX270H</u>	<u>Serial Numbers</u>
001	11300-Z7B-000	COVER ASSY., CRANKCASE	1	
002	11381-Z7B-701	PACKING, CASE COVER (NINGBO SIL GASKET)	1	
002	11381-ZE2-801	PACKING, CASE COVER	1	
003	15600-Z1T-600	CAP ASSY., OIL FILLER	1	
004	15600-Z7E-000	CAP ASSY., OIL FILLER	1	
005	15625-Z0T-800	PACKING, OIL FILLER CAP	1	0003353
006	15625-Z1T-000	PACKING, OIL FILLER CAP	1	
007	16510-Z7B-000	GOVERNOR ASSY.	1	0000025
008	16511-ZE2-000	WEIGHT, GOVERNOR	2	
009	16512-Z7B-000	HOLDER, GOVERNOR WEIGHT	1	0000025
010	16513-ZE2-000	PIN, GOVERNOR WEIGHT	2	
011	16531-Z0A-000	SLIDER, GOVERNOR	1	
012	90602-ZE1-000	CLIP, GOVERNOR HOLDER	1	
<u>Ref</u>	<u>Partnumber</u>	<u>Description</u>	<u>GX270H</u>	<u>Serial Numbers</u>
013	90701-Z7E-000	DOWEL PIN, 8X12	2	
014	91201-Z7B-003	OIL SEAL, 30X46X8	1	
014	91201-Z7B-003	OIL SEAL, 30X46X8	1	0000025
015	94101-06800	WASHER, PLAIN, 6MM	1	
016	95701-0803500	BOLT, FLANGE, 8X35	7	
017	91001-Z7B-003	BEARING, RADIAL BALL, 6206	1	0171491
017	96100-6206000	BEARING, RADIAL BALL, 6206	1	

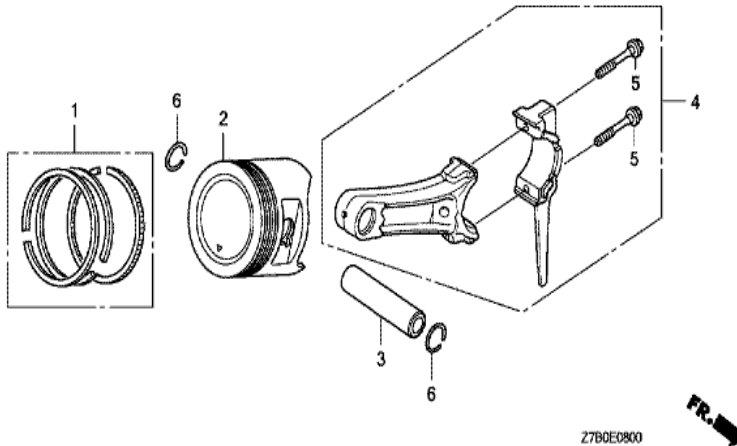
GX270H(SH)	E-7 CRANKSHAFT
------------	----------------



Ref	Partnumber	Description	GX270H	Serial Numbers
001	13310-Z7B-000	CRANKSHAFT COMP.	1	
001	13310-Z7B-010	CRANKSHAFT COMP.	1	
004	90741-805-000	KEY, 7X7X33	1	
004	90741-889-810	KEY, 7X7X33 (YELLOW) (O.S.)	(1)	
005	91001-ZH9-003	BEARING, RADIAL BALL (6206 SH)	1	
005	91002-Z7B-003	BEARING, BALL RADIAL, 6206SH2	1	

GX270H(SH)

E-8 PISTON



Z7B0E0800

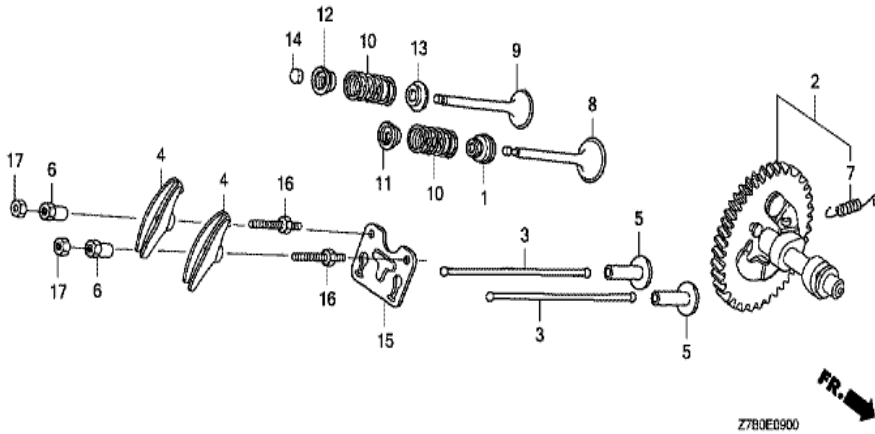


<u>Ref</u>	<u>Partnumber</u>	<u>Description</u>	<u>GX270H</u>	<u>Serial Numbers</u>
001	13010-Z5H-004	RING SET, PISTON (STD.) (TPR)	1	0004283
001	13010-Z5K-003	RING SET, PISTON (STD.) (RIKEN)	1	0004283
001	13010-Z7B-701	RING SET, PISTON (STD.) (FUJIAN DONGYA M)	1	
001	13010-ZE8-601	RING SET, PISTON (STD.) (NIPPON)	1	0004282
001	13010-ZE8-602	RING SET, PISTON (STD.) (TEIKOKU)	1	0004282
001	13011-Z5H-004	RING SET, PISTON (0.25) (TPR)	(1)	0004283
001	13011-Z5K-003	RING SET, PISTON (0.25) (RIKEN)	(1)	0004283
001	13011-Z7B-701	RING SET, PISTON (0.25) (FUJIAN DONGYA M)	(1)	
001	13011-ZE8-601	RING SET, PISTON (0.25) (NIPPON)	(1)	0004282
001	13011-ZE8-602	RING SET, PISTON (0.25) (TEIKOKU)	(1)	0004282
001	13012-Z5H-004	RING SET, PISTON (0.50) (TPR)	(1)	0004283
001	13012-Z5K-003	RING SET, PISTON (0.50) (RIKEN)	(1)	0004283
001	13012-Z7B-701	RING SET, PISTON (0.50) (FUJIAN DONGYA M)	(1)	
<u>Ref</u>	<u>Partnumber</u>	<u>Description</u>	<u>GX270H</u>	<u>Serial Numbers</u>
001	13012-ZE8-601	RING SET, PISTON (0.50) (NIPPON)	(1)	0004282
001	13012-ZE8-602	RING SET, PISTON (0.50) (TEIKOKU)	(1)	0004282
001	13013-Z5H-004	RING SET, PISTON (0.75) (TPR)	(1)	0004283
001	13013-Z5K-003	RING SET, PISTON (0.75) (RIKEN)	(1)	0004283
001	13013-Z7B-701	RING SET, PISTON (0.75) (FUJIAN DONGYA M)	(1)	
001	13013-ZE8-601	RING SET, PISTON (0.75) (NIPPON)	(1)	0004282
001	13013-ZE8-602	RING SET, PISTON (0.75) (TEIKOKU)	(1)	0004282
002	13101-Z7B-800	PISTON (STD.)	1	0004430
002	13101-ZH9-000	PISTON (STD.)	1	0004282
002	13101-ZH9-010	PISTON (STD.)	1	0004283 0004429
002	13102-Z7B-800	PISTON (0.25)	(1)	0004430
002	13102-ZH9-000	PISTON (0.25)	(1)	0004282
002	13102-ZH9-010	PISTON (0.25)	(1)	0004283 0004429
002	13103-Z7B-800	PISTON (0.50)	(1)	0004430
002	13103-ZH9-000	PISTON (0.50)	(1)	0004282
002	13103-ZH9-010	PISTON (0.50)	(1)	0004283 0004429
002	13104-Z7B-800	PISTON (0.75)	(1)	0004430
002	13104-ZH9-000	PISTON (0.75)	(1)	0004282
002	13104-ZH9-010	PISTON (0.75)	(1)	0004283 0004429
003	13111-Z7B-000	PIN, PISTON	1	
004	13200-Z1D-000	ROD ASSY., CONNECTING (STD.)	1	0038832
004	13200-Z7B-000	ROD ASSY., CONNECTING (IDENT MARK Z)	1	0133648
004	13200-ZE2-305	ROD ASSY., CONNECTING (0.25 UNDER SIZE)	(1)	
005	90001-Z7E-000	BOLT, CONNECTING ROD (FOR JLH)	2	0133648

005	90001-ZE8-000	BOLT, CONNECTING ROD	2
005	90001-ZE8-000	BOLT, CONNECTING ROD	2
006	90551-ZE1-000	CLIP, PISTON PIN, 18MM	2

GX270H(SH)

E-9 CAMSHAFT



<u>Ref</u>	<u>Partnumber</u>	<u>Description</u>	<u>GX270H</u>	<u>Serial Numbers</u>
001	12209-Z7E-003	SEAL, VALVE STEM	1	000025
002	14100-ZE3-020	CAMSHAFT ASSY.	1	
003	14410-Z7B-000	ROD, PUSH	2	
004	14431-ZE2-010	ARM, VALVE ROCKER	2	
005	14441-Z7E-000	LIFTER, VALVE	2	000025
006	14451-Z7E-000	PIVOT, ROCKER ARM	2	000025
007	14568-ZE1-000	SPRING, WEIGHT RETURN	1	
008	14711-Z7B-000	VALVE, IN.	1	
009	14721-Z7B-000	VALVE, EX.	1	
010	14751-Z7E-000	SPRING, VALVE	2	
011	14771-ZE2-000	RETAINER, IN. VALVE SPRING	1	
012	14773-ZE2-000	RETAINER, EX. VALVE SPRING	1	
013	14775-ZE2-010	SEAT, VALVE SPRING	1	
<u>Ref</u>	<u>Partnumber</u>	<u>Description</u>	<u>GX270H</u>	<u>Serial Numbers</u>
014	14781-Z7E-000	ROTATOR, VALVE	1	000025
015	14791-Z7E-000	GUIDE, PUSH ROD	1	000025
016	90012-ZE0-010	BOLT, PIVOT, 8MM	2	
017	90206-ZE1-000	NUT, PIVOT ADJUSTING	2	