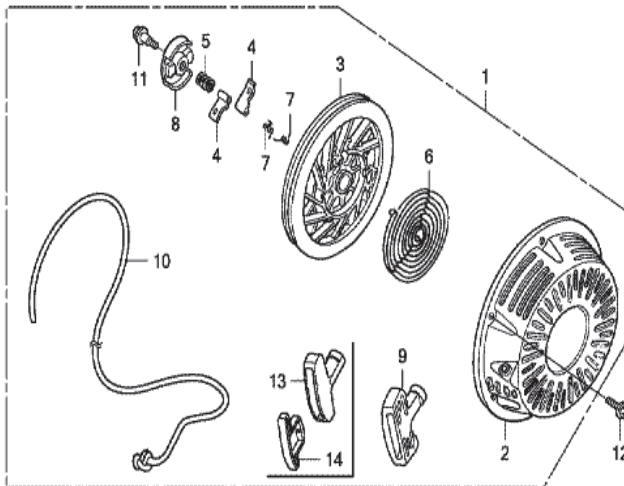


GX270UT2(SWS4)

E-11 RECOIL STARTER (1)

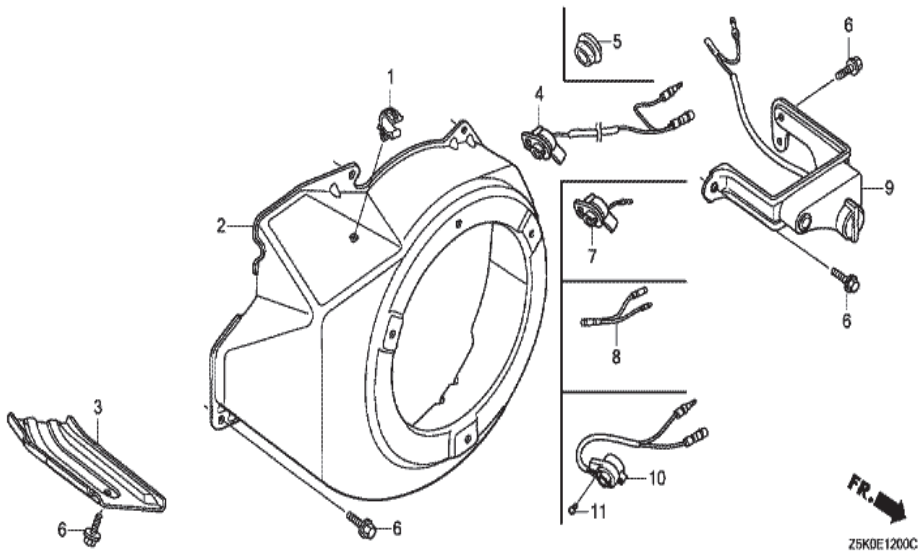


Z5K0E1100A

<u>Ref</u>	<u>Partnumber</u>	<u>Description</u>	<u>GX270UT2</u>	<u>Serial Numbers</u>
001	28400-Z5K-003ZB	STARTER ASSY., RECOIL *NH1*	1	
002	28410-ZE2-W01ZB	CASE COMP., RECOIL STARTER *NH1 *	1	
003	28421-ZE2-W01	PULLEY, RECOIL STARTER	1	
004	28422-ZE2-W01	RATCHET, STARTER	2	
005	28441-ZE2-W01	SPRING, FRICTION	1	
006	28442-ZE2-W01	SPRING, STARTER RETURN	1	
007	28443-ZE2-W01	SPRING, RATCHET	2	
008	28444-ZE2-W01	RETAINER, SPRING	1	
010	28462-ZE2-W11	ROPE, RECOIL STARTER	1	
011	90004-ZE2-W01	SCREW, CENTER	1	
012	90008-ZE2-003	BOLT, FLANGE, 6X10	3	
013	28461-Z5T-003	GRIP, STARTER	1	
013	28461-Z5T-305	GRIP, STARTER (COO) (FOR U.S.A.)	1	
<u>Ref</u>	<u>Partnumber</u>	<u>Description</u>	<u>GX270UT2</u>	<u>Serial Numbers</u>
014	28463-Z5T-003	GRIP, REINFORCEMENT	1	

GX270UT2(SWS4)

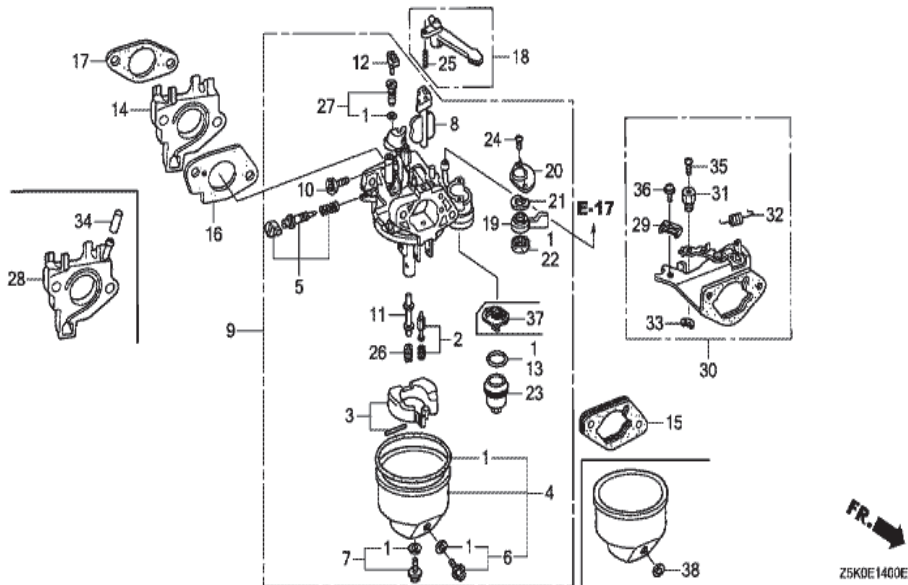
E-12 FAN COVER (1)



Ref	Partnumber	Description	GX270UT2	Serial Numbers
001	16731-ZE2-003	CLIP, TUBE	1	
002	19610-Z5K-000ZA	COVER COMP., FAN *NH1*	1	
003	19631-Z5K-000	SHROUD	1	
006	90013-883-000	BOLT, FLANGE, 6X12 (CT200)	6	
010	35120-Z5T-003	SWITCH ASSY., ENGINE STOP	1	
011	90004-Z5T-000	SCREW, TAPPING, 3X6 (PO)	2	

GX270UT2(SWS4)

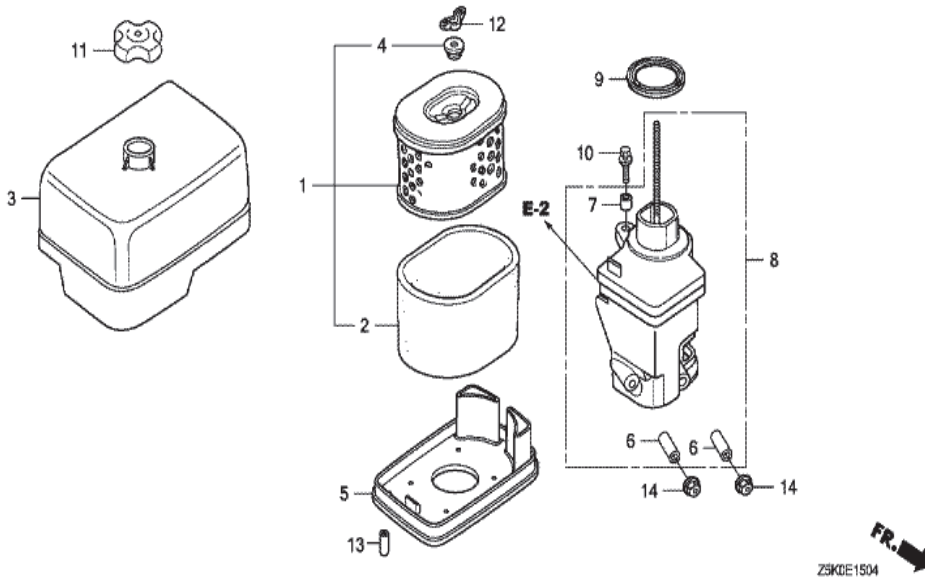
E-14 CARBURETOR (1)



<u>Ref</u>	<u>Partnumber</u>	<u>Description</u>	<u>GX270UT2</u>	<u>Serial Numbers</u>
001	16010-ZE2-812	GASKET SET	1	
002	16011-ZA0-931	VALVE SET, FLOAT	1	
003	16013-Z1C-003	FLOAT SET	1	
004	16015-Z5T-901	CHAMBER SET, FLOAT	1	
005	16016-ZH7-W01	SCREW SET, PILOT	1	
006	16024-Z5T-901	SCREW SET, DRAIN	1	
007	16028-Z5T-901	SCREW SET	1	
008	16044-ZE2-005	CHOKE SET	1	
009	16100-Z5K-Y01	CARBURETOR ASSY. (BE21J A)	1	
010	16124-ZE0-005	SCREW, THROTTLE STOP	1	
011	16166-Z5K-Y01	NOZZLE, MAIN	1	
012	16172-ZE3-W10	COLLAR, SETTING	1	
013	16173-001-004	PACKING, FUEL STRAINER CUP	1	
<u>Ref</u>	<u>Partnumber</u>	<u>Description</u>	<u>GX270UT2</u>	<u>Serial Numbers</u>
014	16211-ZE2-010	INSULATOR, CARBURETOR	1	
015	16220-ZA0-702	SPACER COMP., CARBURETOR	1	
016	16221-Z5K-000	PACKING, CARBURETOR	1	
017	16212-Z5K-000	PACKING, INSULATOR	1	
018	16610-ZE1-000	LEVER COMP., CHOKE (STD.)	1	
019	16953-ZE1-812	LEVER, COCK	1	
020	16954-ZE1-812	PLATE, LEVER SETTING	1	
021	16956-ZE1-811	SPRING, COCK LEVER	1	
022	16957-ZE1-812	PACKING, FUEL COCK	1	
023	16967-ZE0-811	CUP, FUEL STRAINER	1	
024	93500-030061H	SCREW, PAN, 3X6	2	
025	94305-20122	PIN, SPRING, 2X12	1	
026	99101-ZH80820	JET, MAIN, #82	(1)	
026	99101-ZH80850	JET, MAIN, #85	(1)	
026	99101-ZH80880	JET, MAIN, #88	1	
027	99204-ZE20380	JET SET, PILOT, #38	1	
037	16959-Z5T-901	FILTER, CUP	1	
038	16141-Z0S-003	WASHER, PLAIN (6.2X10.7 DRAIN)	1	

GX270UT2(SWS4)

E-15-4 AIR CLEANER (5)

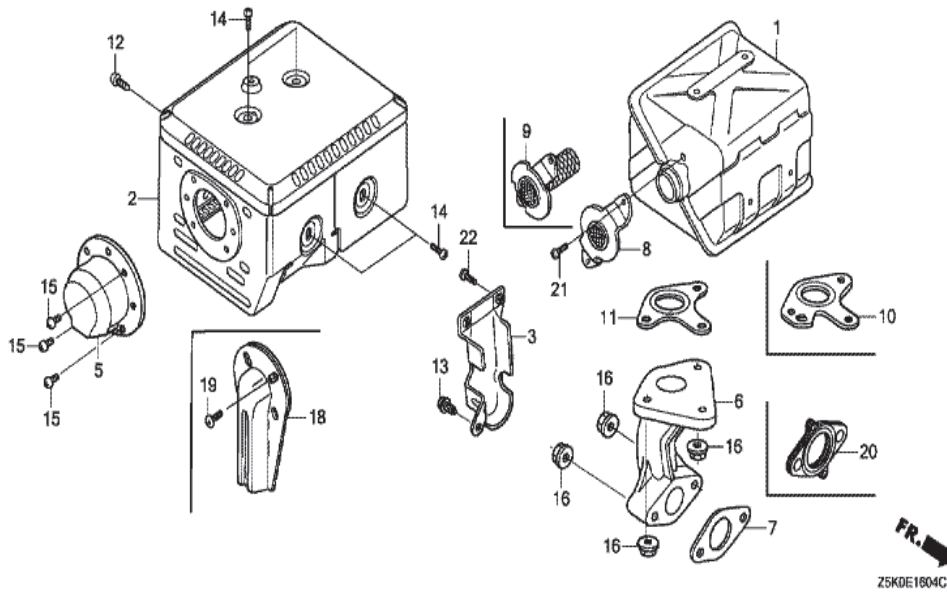


Z5K0E1504

<u>Ref</u>	<u>Partnumber</u>	<u>Description</u>	<u>GX270UT2</u>	<u>Serial Numbers</u>
001	17210-ZE2-822	ELEMENT, AIR CLEANER (DUAL)	1	
002	17218-ZE2-821	FILTER, OUTER	1	
003	17231-Z5K-000	COVER, AIR CLEANER CASE	1	
004	17232-891-000	GROMMET, AIR CLEANER	1	
005	17235-Z5K-000	NOSE, SILENCER	1	
006	17238-ZE2-310	COLLAR, AIR CLEANER	2	
007	17239-ZE1-000	COLLAR B, AIR CLEANER	1	
008	17410-Z5K-020	ELBOW COMP., AIR CLEANER	1	
009	17417-Z5T-000	PACKING, AIR CLEANER CASE	1	
010	90009-Z1C-000	BOLT-WASHER, 6X22	1	
011	90202-Z2E-000	NUT, AIR CLEANER COVER	1	
012	90325-044-000	NUT, TOOL BOX SETTING	1	
014	94050-06000	NUT, FLANGE, 6MM	2	

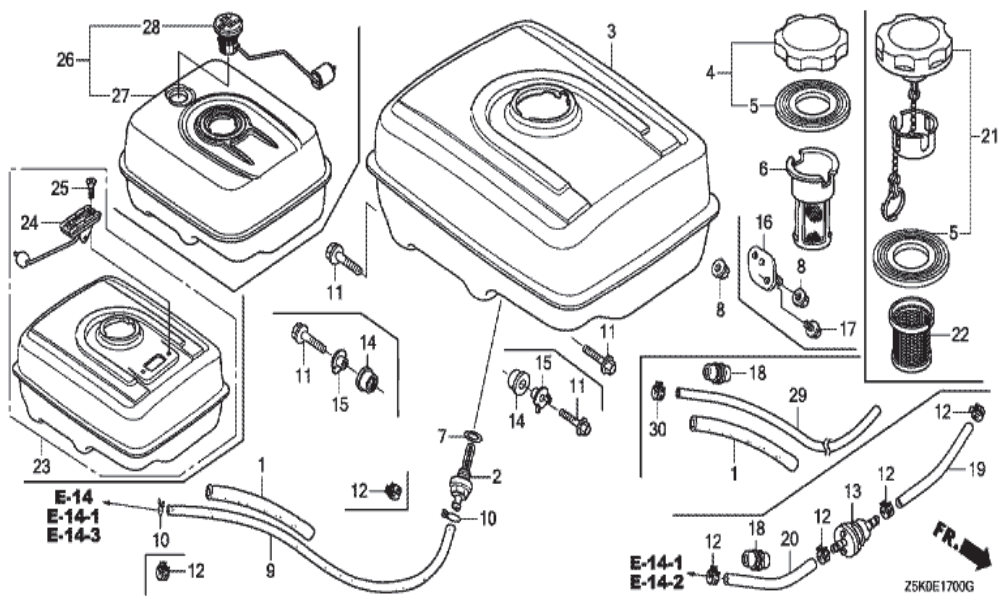
GX270UT2(SWS4)

E-16-4 MUFFLER (5)



<u>Ref</u>	<u>Partnumber</u>	<u>Description</u>	<u>GX270UT2</u>	<u>Serial Numbers</u>
001	18310-Z5K-010	MUFFLER COMP.	1	
002	18320-Z5K-000	PROTECTOR COMP., MUFFLER	1	
003	18323-ZE2-W00	PROTECTOR, EX. PIPE	1	
005	18331-ZE3-811	CAP, MUFFLER	1	
006	18331-Z5T-000	PIPE, EX.	1	
007	18333-Z1C-801	GASKET, EX. PIPE	1	
009	18350-Z5T-800	ARRESTER COMP., SPARK	1	
010	18381-Z8S-801	GASKET, MUFFLER (ARRESTER) (THAI LEAKLES	1	
010	18381-ZE2-W10	GASKET, MUFFLER (ARRESTER) (NIPPON LEAKL	1	
012	90006-ZE2-000	SCREW, TAPPING, 6X10	1	
013	90013-883-000	BOLT, FLANGE, 6X12 (CT200)	1	
014	90050-ZE1-000	SCREW, TAPPING, 5X8	4	
015	90055-ZE1-000	SCREW, TAPPING, 4X6	3	
<u>Ref</u>	<u>Partnumber</u>	<u>Description</u>	<u>GX270UT2</u>	<u>Serial Numbers</u>
016	94050-08000	NUT, FLANGE, 8MM	5	
021	90050-ZE1-000	SCREW, TAPPING, 5X8	2	
021	90050-ZE1-000	SCREW, TAPPING, 5X8	(2)	
022	90050-ZE1-000	SCREW, TAPPING, 5X8	2	

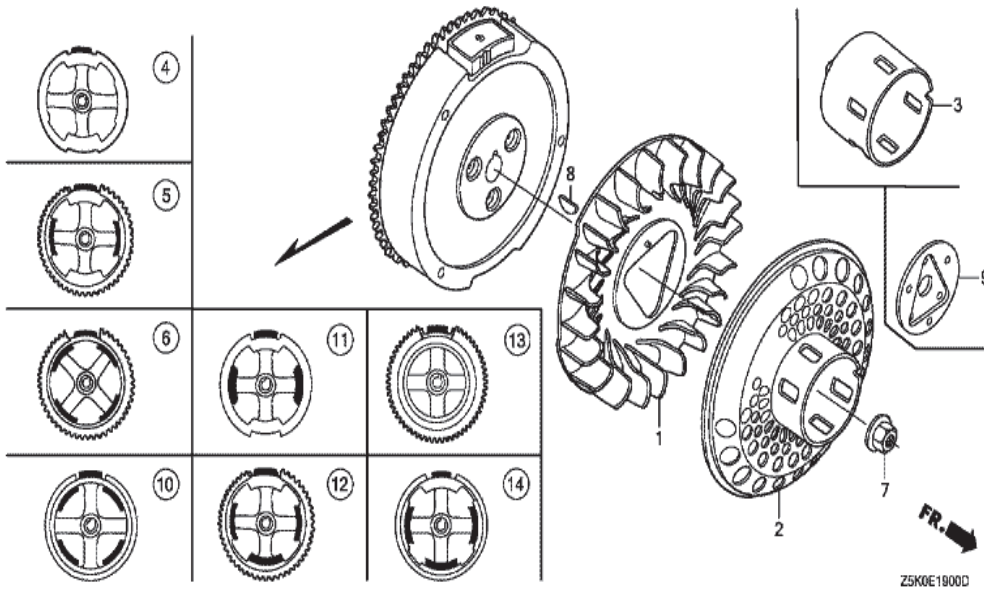
GX270UT2(SWS4)	E-17 FUEL TANK
----------------	----------------



<u>Ref</u>	<u>Partnumber</u>	<u>Description</u>	<u>GX270UT2</u>	<u>Serial Numbers</u>
001	16854-ZH8-000	RUBBER, SUPPORTER (107MM)	1	
002	16955-ZE1-010	JOINT, FUEL TANK	1	
005	17631-Z0T-801	PACKING, FUEL FILLER CAP (39X62X3) (RADI	1	
007	91353-671-004	O-RING, 14MM (NOK)	1	
008	94050-08000	NUT, FLANGE, 8MM	2	
009	91424-Z5K-003	TUBE, FUEL, 4.5X210 (FKM)	1	
011	95701-0802500	BOLT, FLANGE, 8X25	2	
012	95002-4080008	CLAMP, TUBE (D8)	2	1015790
021	17620-Z4H-020	CAP COMP., FUEL FILLER	1	1131503
021	17620-Z4H-030	CAP COMP., FUEL FILLER	1	
027	17510-Z5K-000ZA	TANK COMP., FUEL *NH1*	2	

GX270UT2(SWS4)

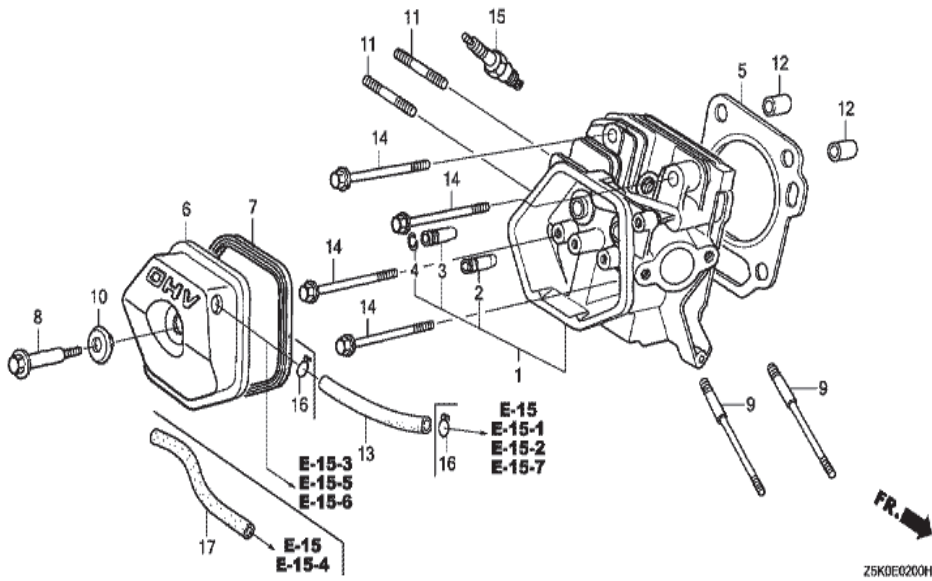
E-19 FLYWHEEL



Ref	Partnumber	Description	GX270UT2	Serial Numbers
001	19511-ZE2-000	FAN, COOLING	1	
002	28450-ZE2-W11	PULLEY COMP., STARTER (SCREEN GRID)	1	
004	31110-Z5K-000	FLYWHEEL COMP.	1	
007	90201-ZE3-790	NUT, SPECIAL, 16MM	1	1020583
007	90201-ZE3-V00	NUT, SPECIAL, 16MM	1	1020584
008	90741-ZE2-000	KEY, SPECIAL WOODRUFF, 25X18	1	

GX270UT2(SWS4)

E-2 CYLINDER HEAD



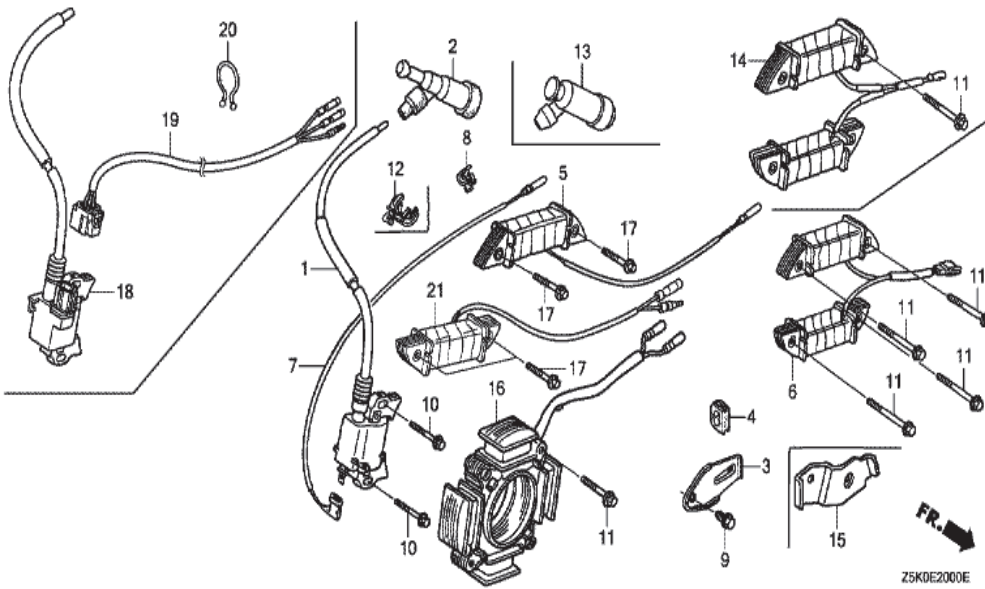
Z5KDE0200H

<u>Ref</u>	<u>Partnumber</u>	<u>Description</u>	<u>GX270UT2</u>	<u>Serial Numbers</u>
001	12210-Z5K-405	HEAD COMP., CYLINDER	1	
002	12204-ZE2-306	GUIDE, IN. VALVE (O.S.)	1	
003	12205-ZE2-305	GUIDE, EX. VALVE (OS)	1	
004	12216-ZE2-300	CLIP, VALVE GUIDE	1	
005	12251-Z5K-003	GASKET, CYLINDER HEAD	1	
006	12310-Z5T-000	COVER, CYLINDER HEAD	1	1036687
006	12310-ZE2-020	COVER COMP., HEAD	1	1036688
007	12391-ZE2-020	PACKING, HEAD COVER	1	
008	90014-Z5T-000	BOLT, HEAD COVER	1	
009	90042-ZE2-000	BOLT, STUD, 8X123	2	
010	90441-ZE2-010	WASHER COMP., HEAD COVER	1	
011	92900-080320E	BOLT, STUD, 8X32	2	
011	92900-080320E	BOLT, STUD, 8X32	2	
<u>Ref</u>	<u>Partnumber</u>	<u>Description</u>	<u>GX270UT2</u>	<u>Serial Numbers</u>
012	94301-12200	DOWEL PIN, 12X20	2	
014	95701-1008000	BOLT, FLANGE, 10X80	4	
015	98079-55846	PLUG, SPARK (BPR5ES) (NGK)	(1)	
015	98079-55855	PLUG, SPARK (W16EPR-U) (DENSO)	(1)	
015	98079-55876	PLUG, SPARK (BPR5ES) (NGK)	(1)	
015	98079-56876	PLUG, SPARK (BPR6ES) (NGK)	1	
017	12357-Z5T-010	TUBE, BREATHER	1	1072805
017	12357-Z5T-020	TUBE, BREATHER	1	1072806



GX270UT2(SWS4)

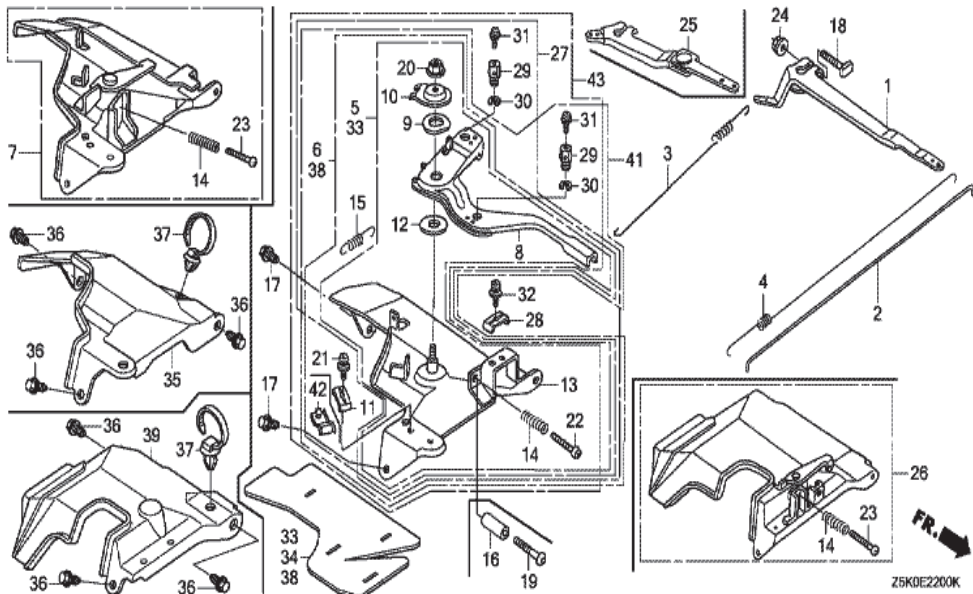
E-20 IGNITION COIL (1)



<u>Ref</u>	<u>Partnumber</u>	<u>Description</u>	<u>GX270UT2</u>	<u>Serial Numbers</u>
002	30700-Z1C-811	CAP ASSY., NOISE SUPPRESSOR (NGK Y-EZD)	1	
004	31512-ZE2-000	GROMMET, CORD	1	
010	90015-883-000	BOLT, FLANGE, 6X28 (CT200)	2	
012	90684-ZA0-601	CLIP, HARNESS	1	
018	30500-Z5K-003	COIL ASSY., IGNITION	1	
019	32110-Z5K-000	HARNESS ASSY., ENGINE WIRE	1	

GX270UT2(SWS4)

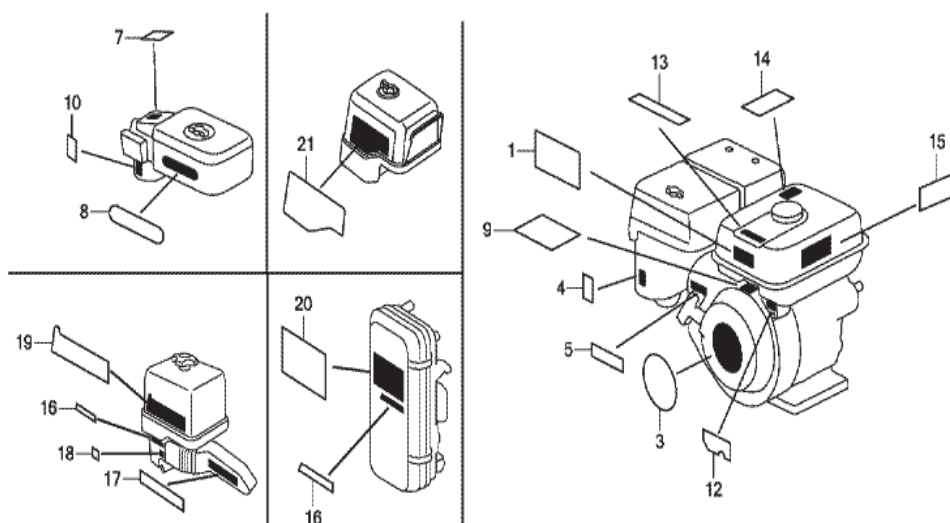
E-22 CONTROL



<u>Ref</u>	<u>Partnumber</u>	<u>Description</u>	<u>GX270UT2</u>	<u>Serial Numbers</u>
001	16551-ZE2-000	ARM, GOVERNOR	1	
002	16555-ZE2-000	ROD, GOVERNOR	1	
003	16561-ZE2-000	SPRING, GOVERNOR (L=145.0MM) (WIRE DIAME	1	
004	16562-ZE2-000	SPRING, THROTTLE RETURN	1	
008	16571-ZE2-W00	LEVER, CONTROL	1	
009	16574-ZE1-000	SPRING, LEVER	1	
010	16575-ZE2-W00	WASHER, CONTROL LEVER	1	
012	16578-ZE1-000	SPACER, CONTROL LEVER	1	
013	16580-Z5K-000	BASE COMP., CONTROL	1	
014	16584-883-300	SPRING, CONTROL ADJUSTING	1	
015	16592-883-310	SPRING, CABLE RETURN	1	
016	16599-ZG1-M10	COLLAR, STOPPER	(1)	
017	90013-883-000	BOLT, FLANGE, 6X12 (CT200)	2	
<u>Ref</u>	<u>Partnumber</u>	<u>Description</u>	<u>GX270UT2</u>	<u>Serial Numbers</u>
018	90015-Z5T-000	BOLT, GOVERNOR ARM	1	
019	90016-ZG9-N30	SCREW, RECESSED, 5X25	(1)	
020	90114-SA0-000	NUT, SELF-LOCK, 6MM	1	
022	93500-050280A	SCREW, PAN, 5X28	1	
024	94050-06000	NUT, FLANGE, 6MM	1	
027	16500-Z5K-308	CONTROL ASSY. (REMOTE) (COO) (FOR U.S.A.	1	
027	16500-Z5K-830	CONTROL ASSY. (REMOTE)	1	
028	16576-891-000	HOLDER, CABLE	1	
029	16594-883-010	HOLDER, WIRE	1	
030	90605-230-000	CIRCLIP, 5MM	1	
031	93500-040060H	SCREW, PAN, 4X6	1	
032	93500-050160A	SCREW, PAN, 5X16	1	

GX270UT2(SWS4)

E-28 LABEL

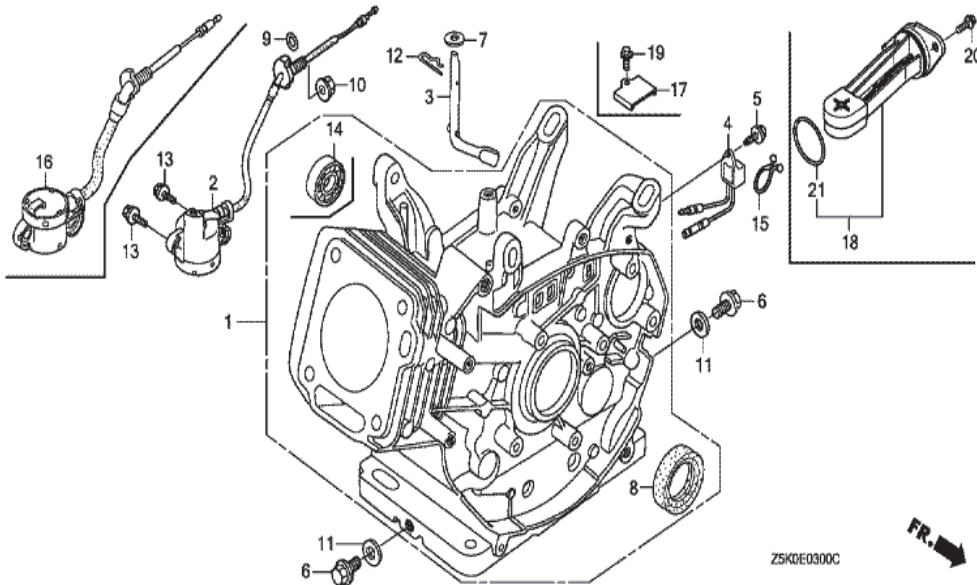


Z5K0E2800G

<u>Ref</u>	<u>Partnumber</u>	<u>Description</u>	<u>GX270UT2</u>	<u>Serial Numbers</u>
003	87521-Z5K-000	EMBLEM (GX270)	1	
004	87528-Z5T-000	MARK, CHOKE	1	
005	87532-ZH7-000	MARK, THROTTLE INDICATION	1	
015	87519-Z4H-000	MARK, OPERATOR CAUTION (PICTOGRAPH)	1	

GX270UT2(SWS4)

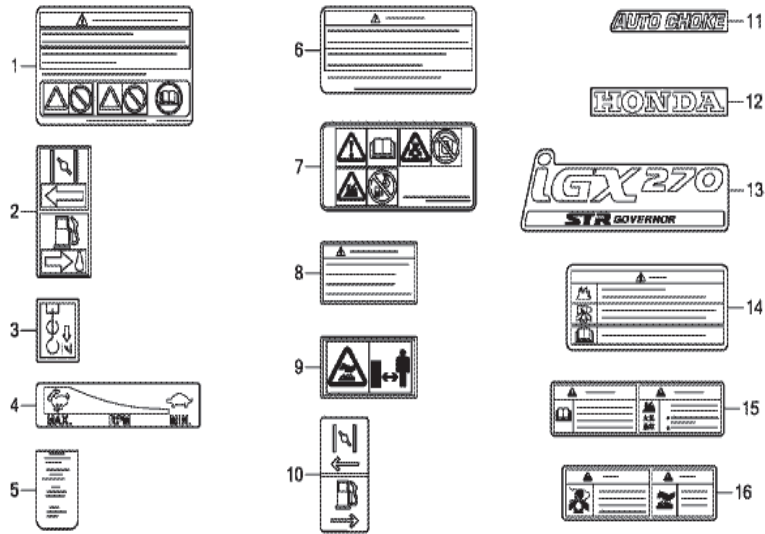
E-3 CYLINDER BARREL



<u>Ref</u>	<u>Partnumber</u>	<u>Description</u>	<u>GX270UT2</u>	<u>Serial Numbers</u>
001	12000-Z5K-406	BARREL ASSY., CYLINDER	1	
003	16541-ZE2-010	SHAFT, GOVERNOR ARM	1	
006	90131-883-000	BOLT, DRAIN PLUG, 12X15	2	
007	90446-KE1-000	WASHER, 8.2X17X0.8	1	
008	91201-Z1D-003	OIL SEAL, 30X46X8 (NOK ASIA)	1	
009	91353-671-004	O-RING, 14MM (NOK)	1	
010	94050-10000	NUT, FLANGE, 10MM	1	
011	94109-12000	WASHER, DRAIN PLUG, 12MM	2	
012	94251-10000	PIN, LOCK, 10MM	1	
013	95701-0601200	BOLT, FLANGE, 6X12	2	
016	35480-ZF6-003	SWITCH ASSY., OIL LEVEL	1	

GX270UT2(SWS4)

E-40-2 OTHER PARTS (LABEL)

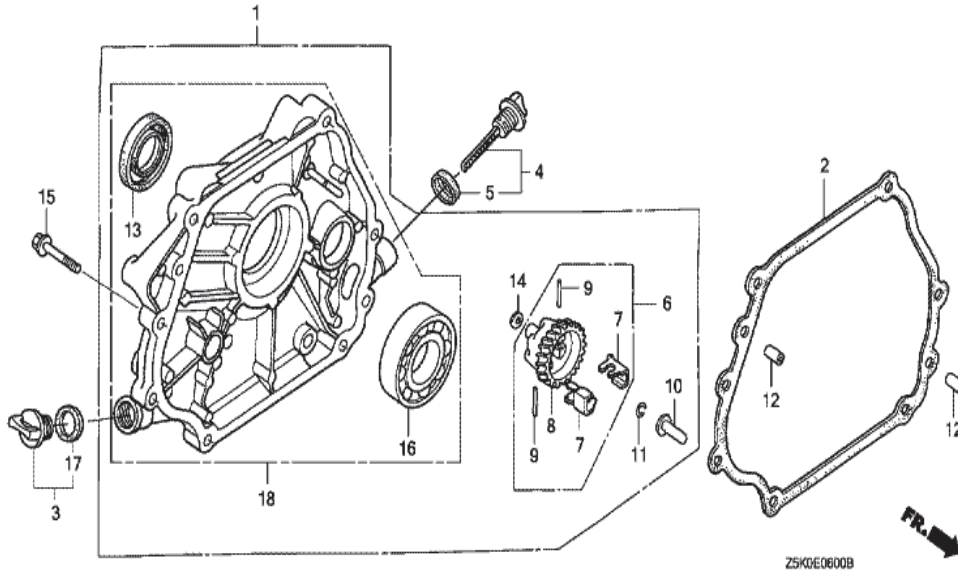


Z5K0E4002D

<u>Ref</u>	<u>Partnumber</u>	<u>Description</u>	<u>GX270UT2</u>	<u>Serial Numbers</u>
006	87516-Z4H-010	MARK, OPERATOR CAUTION (ENGLISH) (MADE I	1	
006	87516-Z4H-801	MARK, OPERATOR CAUTION (FRENCH) (MADE IN	1	
008	87539-Z0J-000	MARK, EX. CAUTION (ENGLISH)	1	
008	87539-Z0J-810	MARK, EX. CAUTION (FRENCH)	1	

GX270UT2(SWS4)

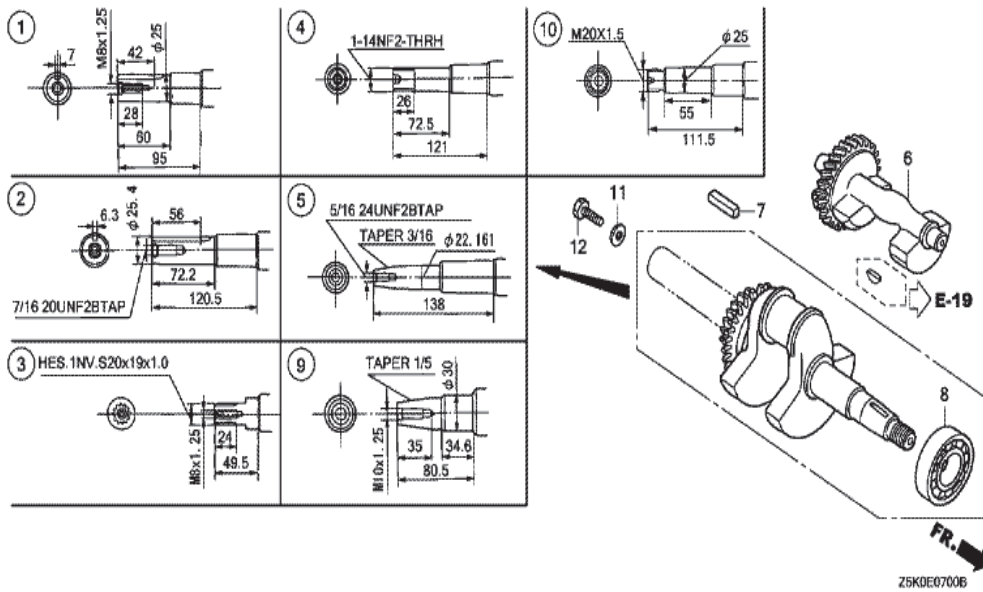
E-6 CRANKCASE COVER (1)



<u>Ref</u>	<u>Partnumber</u>	<u>Description</u>	<u>GX270UT2</u>	<u>Serial Numbers</u>
001	11300-Z1D-000	COVER ASSY., CRANKCASE	1	
002	11381-Z5K-000	PACKING, CASE COVER	1	
003	15600-Z0T-820	CAP ASSY., OIL FILLER (BLACK)	1	
004	15600-Z1C-000	CAP ASSY., OIL FILLER	1	
006	16510-ZE2-000	GOVERNOR ASSY.	1	
007	16511-ZE2-000	WEIGHT, GOVERNOR	2	
008	16512-ZE2-000	HOLDER, GOVERNOR WEIGHT	1	
009	16513-ZE2-000	PIN, GOVERNOR WEIGHT	2	
010	16531-Z0A-000	SLIDER, GOVERNOR	1	
011	90602-ZE1-000	CLIP, GOVERNOR HOLDER	1	
012	90701-HC4-000	DOWEL PIN, 8X12	2	
013	91201-Z1D-003	OIL SEAL, 30X46X8 (NOK ASIA)	1	
014	94101-06800	WASHER, PLAIN, 6MM	1	
<u>Ref</u>	<u>Partnumber</u>	<u>Description</u>	<u>GX270UT2</u>	<u>Serial Numbers</u>
015	95701-0803500	BOLT, FLANGE, 8X35	7	
016	96100-6206000	BEARING, RADIAL BALL, 6206	1	
017	15625-Z0T-800	PACKING, OIL FILLER CAP	1	

GX270UT2(SWS4)

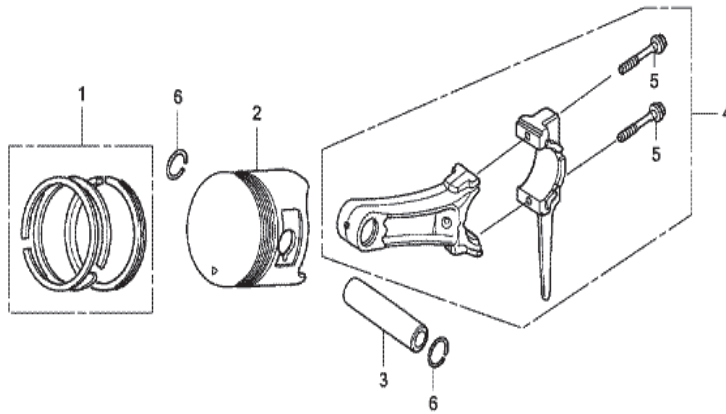
E-7 CRANKSHAFT



Ref	Partnumber	Description	GX270UT2	Serial Numbers
001	13310-ZH9-010	CRANKSHAFT COMP.	1	
007	90741-805-000	KEY, 7X7X33	1	
007	90741-889-810	KEY, 7X7X33 (YELLOW) (O.S.)	(1)	
008	91001-ZH9-003	BEARING, RADIAL BALL (6206 SH)	1	

GX270UT2(SWS4)

E-8 PISTON



Z5K0E0800A

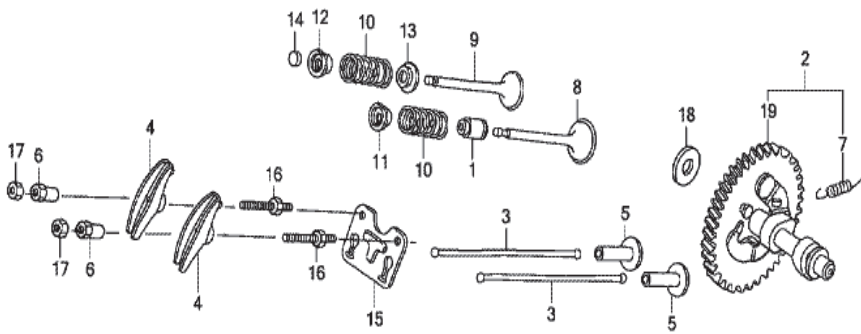


<u>Ref</u>	<u>Partnumber</u>	<u>Description</u>	<u>GX270UT2</u>	<u>Serial Numbers</u>
001	13010-Z5K-004	RING SET, PISTON (STD.) (TEIKOKU)	1	
001	13011-Z5K-004	RING SET, PISTON (0.25) (TEIKOKU)	(1)	
001	13012-Z5K-004	RING SET, PISTON (0.50) (TEIKOKU)	(1)	
001	13013-Z5K-004	RING SET, PISTON (0.75) (TEIKOKU)	(1)	
002	13101-Z5K-000	PISTON (STD.)	1	
002	13102-Z5K-000	PISTON (0.25)	(1)	
002	13103-Z5K-000	PISTON (0.50)	(1)	
002	13104-Z5K-000	PISTON (0.75)	(1)	
003	13111-Z5K-000	PIN, PISTON	1	
004	13200-Z1D-000	ROD ASSY., CONNECTING (STD.)	1	
004	13200-Z1D-305	ROD ASSY., CONNECTING (0.25 UNDER SIZE)	(1)	
005	90001-ZE8-000	BOLT, CONNECTING ROD	2	
006	90551-ZE1-000	CLIP, PISTON PIN, 18MM	2	



GX270UT2(SWS4)

E-9 CAMSHAFT

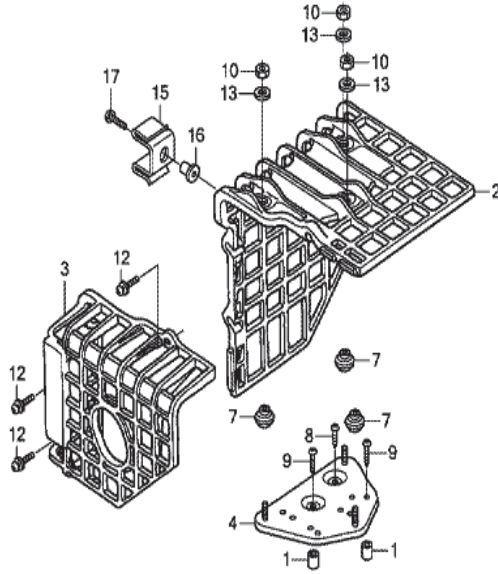


Z5KDE0400B

<u>Ref</u>	<u>Partnumber</u>	<u>Description</u>	<u>GX270UT2</u>	<u>Serial Numbers</u>
001	12209-ZE8-003	SEAL, VALVE STEM	1	
002	14100-Z5K-810	CAMSHAFT ASSY. (MOLDING CAM)	1	1043291
003	14410-Z1D-000	ROD, PUSH	2	
004	14431-ZE2-010	ARM, VALVE ROCKER	2	
005	14441-ZE2-000	LIFTER, VALVE	2	
006	14451-ZE1-013	PIVOT, ROCKER ARM	2	
007	14568-ZE1-000	SPRING, WEIGHT RETURN	1	1043291
008	14711-Z5K-000	VALVE, IN.	1	
009	14721-Z5K-000	VALVE, EX.	1	
010	14751-Z1C-000	SPRING, VALVE	2	
012	14771-Z8S-000	RETAINER, IN. VALVE SPRING	1	
013	14775-ZE2-010	SEAT, VALVE SPRING	1	
015	14791-Z1D-000	GUIDE, PUSH ROD	1	
<u>Ref</u>	<u>Partnumber</u>	<u>Description</u>	<u>GX270UT2</u>	<u>Serial Numbers</u>
016	90012-ZE0-010	BOLT, PIVOT, 8MM	2	
017	90206-ZE1-000	NUT, PIVOT ADJUSTING	2	
019	14100-Z5K-910	CAMSHAFT COMP. (STD.) (PRESS FIT CAM)	1	1043292

GX270UT2(SWS4)

EOP-2 MUFFLER COVER



Z5KDX0200C

<u>Ref</u>	<u>Partnumber</u>	<u>Description</u>	<u>GX270UT2</u>	<u>Serial Numbers</u>
001	17233-896-701	COLLAR, AIR CLEANER CASE	(2)	
002	18433-ZK9-W41	COVER COMP., MUFFLER	(1)	
003	18434-ZK9-W41	COVER COMP., RR. MUFFLER	(1)	
004	18436-ZH8-W40	BASE COMP., MUFFLER COVER	(1)	
004	18436-ZH8-W41	BASE COMP., MUFFLER COVER	(1)	
007	18466-ZH8-W40	SPACER, MUFFLER COVER	(6)	
008	90050-ZE1-000	SCREW, TAPPING, 5X8	(1)	
009	90050-ZH8-W40	SCREW, TAPPING, 5X25	(2)	
010	90302-KF9-900	NUT, HEX., 5MM	(3)	
012	93891-0602007	SCREW-WASHER, 6X20	(3)	
013	94103-05700	WASHER, PLAIN, 5MM	(3)	
015	18437-Z5T-000	STAY, MUFFLER COVER	(1)	
016	19619-ZL8-300	COLLAR, FAN COVER	(1)	
<u>Ref</u>	<u>Partnumber</u>	<u>Description</u>	<u>GX270UT2</u>	<u>Serial Numbers</u>
017	90006-Z5T-000	SCREW, TAPPING, 6X25	(1)	