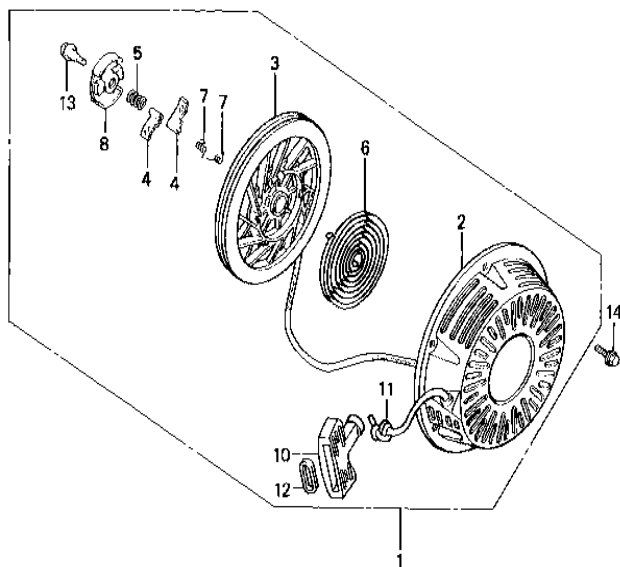


GX340K1(QX)

E-11 RECOIL STARTER

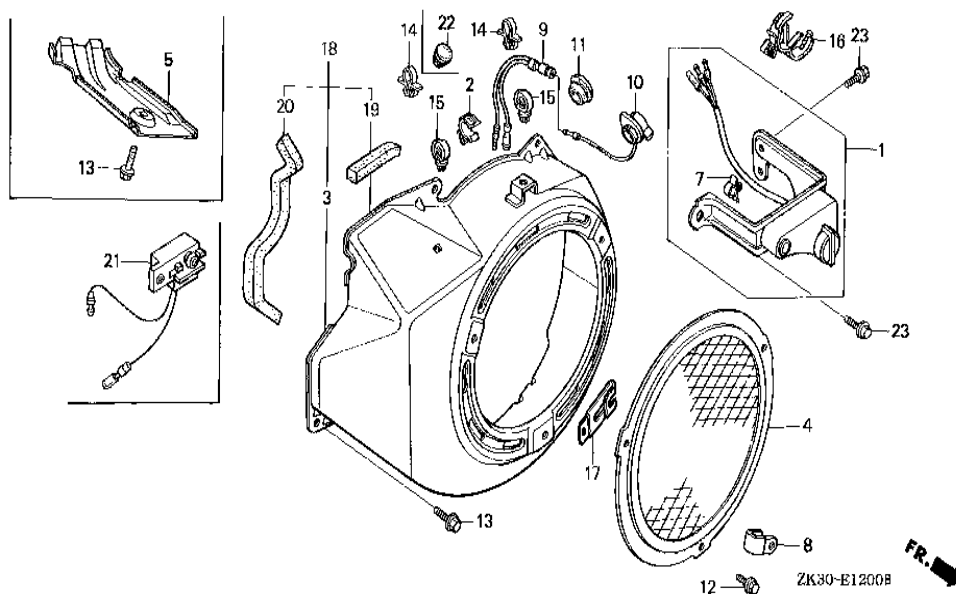


ZK30-131100

Ref	Partnumber	Description	GX340K1	Serial Numbers
001	28400-ZE3-W01ZA	STARTER ASSY., RECOIL *R8*	1	
001	28400-ZE3-W01ZB	STARTER ASSY., RECOIL *NH1*	1	
002	28410-ZE3-W01ZA	CASE COMP., RECOIL STARTER*R8*	1	
002	28410-ZE3-W01ZB	CASE COMP., RECOIL STARTER*NH1*	1	
003	28421-ZE3-W01	PULLEY, RECOIL STARTER	1	
004	28422-ZE2-W01	RATCHET, STARTER	2	
005	28441-ZE2-W01	SPRING, FRICTION	1	
006	28442-ZE2-W01	SPRING, STARTER RETURN	1	
007	28443-ZE2-W01	SPRING, RATCHET	2	
008	28444-ZE2-W01	RETAINER, SPRING	1	
010	28461-ZE2-W01	GRIP, STARTER	1	2935312
010	28461-ZE2-W02	GRIP, STARTER	1	2935313
011	28462-ZE3-W01	ROPE, RECOIL STARTER	1	

<u>Ref</u>	<u>Partnumber</u>	<u>Description</u>	<u>GX340K1</u>	<u>Serial Numbers</u>
012	28469-ZE2-W01	GRIP, REINFORCEMENT	1	2935312
013	90004-ZE2-W01	SCREW, CENTER	1	
014	90008-ZE2-003	BOLT, FLANGE, 6X10	3	

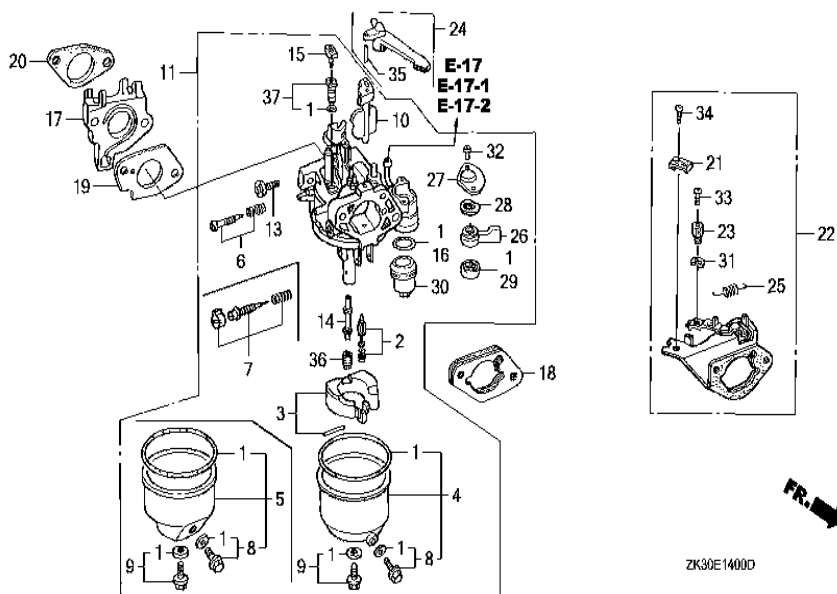
GX340K1(QX)	E-12 FAN COVER (1)
-------------	--------------------



Ref	Partnumber	Description	GX340K1	Serial Numbers
001	15520-ZE2-003	ALERT UNIT, OIL	1	2143683
002	16731-ZE2-003	CLIP, TUBE	1	
003	19610-ZE3-000ZA	COVER COMP., FAN *R8*	1	2177363
003	19610-ZE3-010ZA	COVER COMP., FAN *R8*	1	2177364
005	19631-ZE3-W00	SHROUD	1	
007	30701-883-000	CLIP, HIGH TENSION CORD (8MM)	1	2143683
009	32197-ZH8-003	SUB HARNESS	1	2143684
010	36100-ZE1-015	SWITCH ASSY., ENGINE STOP	1	2143684 2639737
010	36100-ZH7-003	SWITCH ASSY., ENGINE STOP	1	2639738
011	81329-567-020	GROMMET, DRAIN HOLE	1	2143683
013	90013-883-000	BOLT, FLANGE, 6X12 (CT200)	6	
016	90684-ZA0-601	CLIP, HARNESS	1	
023	90013-883-000	BOLT, FLANGE, 6X12 (CT200)	2	2143683

GX340K1(QX)

E-14 CARBURETOR (1)

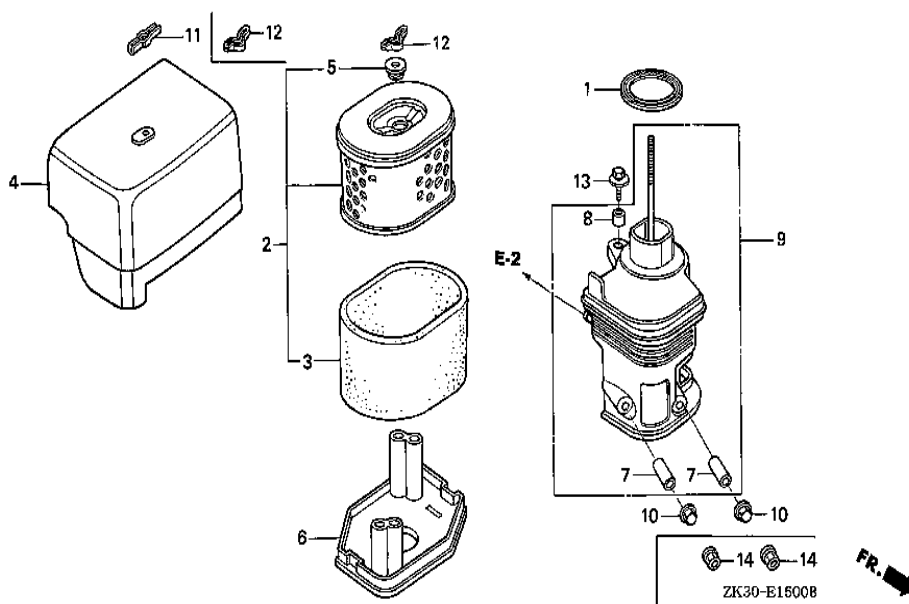


Ref	Partnumber	Description	GX340K1	Serial Numbers
001	16010-ZE2-812	GASKET SET(INCLUDE 16173-001-004)	1	
002	16011-ZA0-931	VALVE SET, FLOAT	1	
003	16013-ZA0-931	FLOAT SET	1	
004	16015-ZE2-005	CHAMBER SET, FLOAT	1	BE34B B
005	16015-ZE8-005	CHAMBER SET, FLOAT	1	BE34B C
006	16016-ZE0-005	SCREW SET, PILOT	1	BE34B C
007	16016-ZH7-W01	SCREW SET, PILOT	1	BE80B B
008	16024-ZE1-811	SCREW SET, DRAIN	1	
009	16028-ZE0-005	SCREW SET	1	
010	16044-ZE3-811	CHOKE SET	1	BE80B B
010	16044-ZE3-W20	CHOKE SET	1	BE34B C
011	16100-ZE3-V01	CARBURETOR ASSY. (BE80B B)	1	3032024
011	16100-ZE3-W30	CARBURETOR ASSY. (BE34B B)	1	2521202

<u>Ref</u>	<u>Partnumber</u>	<u>Description</u>	<u>GX340K1</u>	<u>Serial Numbers</u>	
011	16100-ZE3-W31	CARBURETOR ASSY. (BE34B C)	1	2521203	3032023
013	16124-ZE0-005	SCREW, THROTTLE STOP	1		
014	16166-ZE3-W20	NOZZLE, MAIN	1		BE34B C
014	16166-ZE3-W50	NOZZLE, MAIN	1	BE80B B	
015	16172-ZE3-W10	COLLAR, SETTING	1	BE80B B	
016	16173-001-004	PACKING, FUEL STRAINER CUP	1		
017	16211-ZE3-000	INSULATOR, CARBURETOR	1	3032024	
017	16211-ZF6-000	INSULATOR, CARBURETOR	1		3032023
018	16220-ZA0-702	SPACER COMP., CARBURETOR	1		
019	16221-ZE3-800	PACKING, CARBURETOR	1	3032024	
019	16221-ZF6-800	PACKING, CARBURETOR	1		3032023
020	16223-ZE3-800	PACKING, INSULATOR	1	3032024	
020	16223-ZE3-W00	PACKING, INSULATOR	1		3032023
024	16610-ZE1-000	LEVER COMP., CHOKE (STD.)	1		
026	16953-ZE1-811	LEVER, COCK	1		BE34B B
026	16953-ZE1-812	LEVER, COCK	1	BE34B C	
027	16954-ZE1-811	PLATE, LEVER SETTING	1		BE34B B
027	16954-ZE1-812	PLATE, LEVER SETTING	1	BE34B C	
028	16956-ZE1-811	SPRING, COCK LEVER	1		
029	16957-ZE1-812	PACKING, FUEL COCK	1		
030	16967-ZE0-811	CUP, FUEL STRAINER	1		
032	93500-030061H	SCREW, PAN, 3X6	2	BE34B C	
032	93500-030081G	SCREW, PAN, 3X8	2		BE34B B
035	94305-20122-	PIN, SPRING, 2X12	1		
036	99101-ZF5-0920	JET, MAIN, #92	(1)		BE34B B
036	99101-ZF5-0950	JET, MAIN, #95	(1)		BE34B B
036	99101-ZF5-0980	JET, MAIN, #98	1		BE34B B
036	99101-ZH8-0880	JET, MAIN, #88	(1)	BE80B B	
036	99101-ZH8-0900	JET, MAIN, #90	(1)	BE80B B	
036	99101-ZH8-0920	JET, MAIN, #92	(1)	BE34B C	BE34B C
036	99101-ZH8-0920	JET, MAIN, #92	1	BE80B B	
036	99101-ZH8-0950	JET, MAIN, #95	(1)	BE34B C	BE34B C
036	99101-ZH8-0980	JET, MAIN, #98	1	BE34B C	BE34B C

<u>Ref</u>	<u>Partnumber</u>	<u>Description</u>	<u>GX340K1</u>	<u>Serial Numbers</u>
037	99204-ZE0-0350	JET SET, PILOT, #35	1	BE80B B
037	99204-ZE0-0450	JET SET, PILOT, #45	1	BE34B C

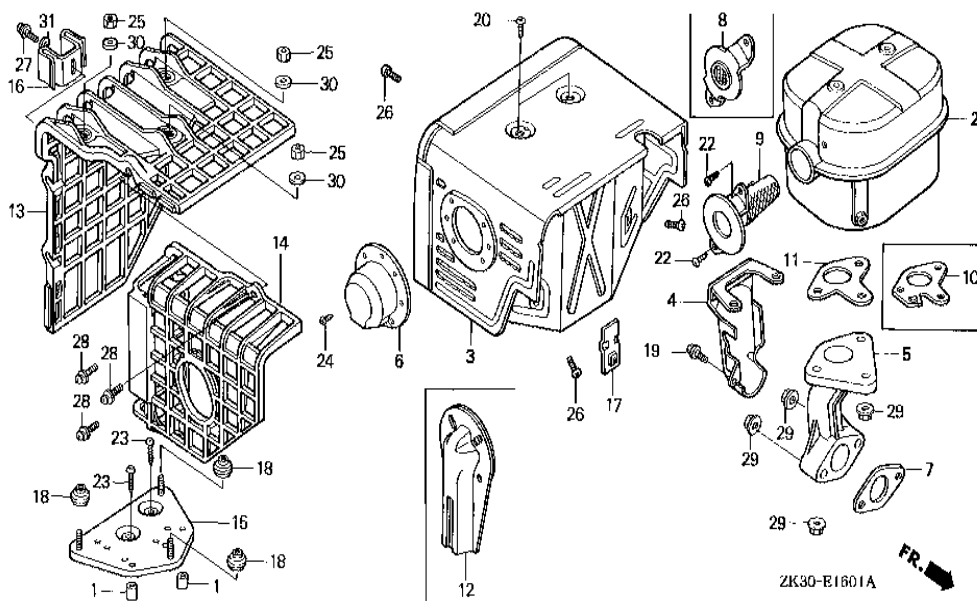
GX340K1(QX)	E-15 AIR CLEANER (1)
-------------	----------------------



Ref	Partnumber	Description	GX340K1	Serial Numbers
001	16271-ZE2-010	PACKING, ELBOW	1	
002	17210-ZE3-010	ELEMENT, AIR CLEANER	1	
003	17218-ZE3-000	FILTER, OUTER	1	
004	17231-ZE3-W00	COVER, AIR CLEANER	1	3394504
004	17231-ZE3-W01	COVER, AIR CLEANER	1	3394505
005	17232-891-000	GROMMET, AIR CLEANER	1	
006	17235-ZH9-N00	NOSE, SILENCER	1	
007	17238-ZE2-310	COLLAR, AIR CLEANER	2	
008	17239-ZE1-000	COLLAR B, AIR CLEANER	1	
009	17410-ZH9-N00	ELBOW COMP., AIR CLEANER	1	
010	90201-415-000	NUT, CAP, 6MM	2	2205632
011	90203-PB2-000	NUT, AIR CLEANER COVER(DACRO COATING)	1	2143835
011	90203-ZA0-800	NUT, WING, 6MM (BLACK)	1	2143836 2313587

<u>Ref</u>	<u>Partnumber</u>	<u>Description</u>	<u>GX340K1</u>	<u>Serial Numbers</u>
012	90325-044-000	NUT, TOOL BOX SETTING	1	2313587
012	90325-044-000	NUT, TOOL BOX SETTING	2	2313588
013	93494-0602008	BOLT-WASHER, 6X20	1	
014	94050-06000-	NUT, FLANGE, 6MM	2	2205633

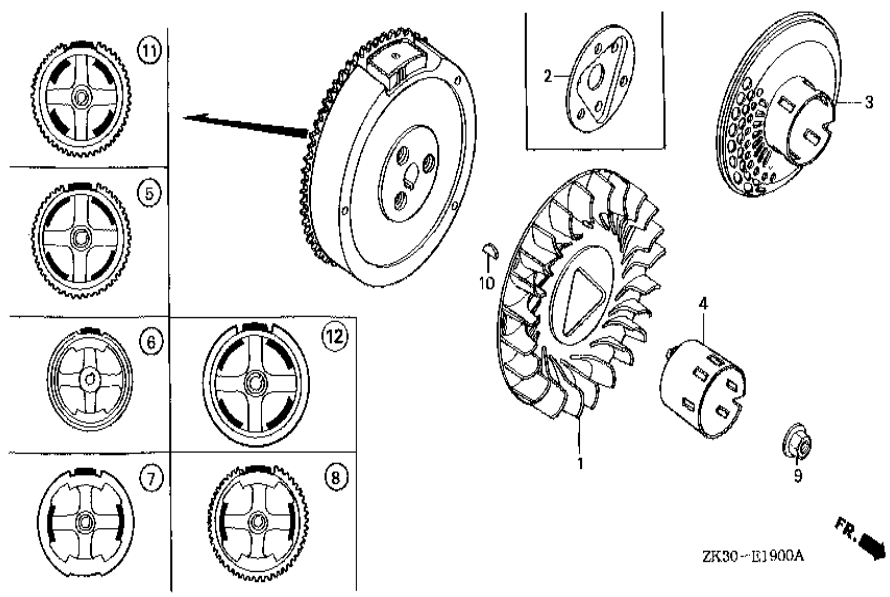
GX340K1(QX)	E-16-1 MUFFLER (2)
-------------	--------------------



Ref	Partnumber	Description	GX340K1	Serial Numbers
002	18310-ZE3-W00	MUFFLER COMP.	1	
003	18320-ZE3-W00	PROTECTOR COMP., MUFFLER	1	2337453
003	18320-ZE3-W01	PROTECTOR COMP., MUFFLER	1	2337454
005	18330-ZE2-W00	PIPE, EX.	1	
007	18333-ZE3-800	GASKET, EX. PIPE	1	2582468
007	18333-ZF6-W01	GASKET, EX. PIPE	1	3030998
007	18333-ZK6-Y00	GASKET, EX. PIPE	1	2582469 3030997
008	18336-ZE3-000	FLANGE COMP., BAFFLE	1	
011	18381-ZE2-800	GASKET, MUFFLER	1	
020	90050-ZE1-000	SCREW, TAPPING, 5X8	2	
026	93500-060060B	SCREW, PAN, 6X6	3	2167647
026	93500-060064J	SCREW, PAN, 6X6	3	2167646
029	94050-08000-	NUT, FLANGE, 8MM	5	

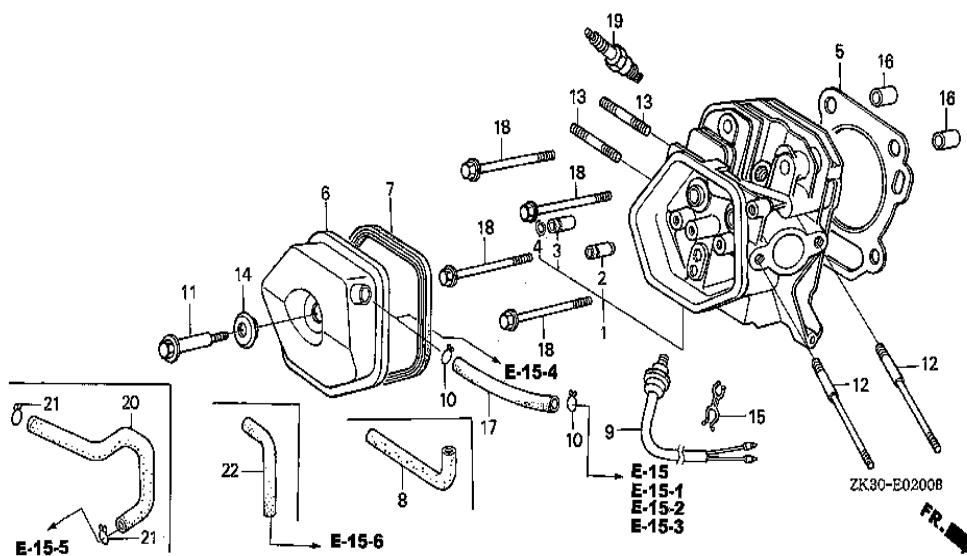
<u>Ref</u>	<u>Partnumber</u>	<u>Description</u>	<u>GX340K1</u>	<u>Serial Numbers</u>
018	95701-0802500	BOLT, FLANGE, 8X25		2

GX340K1(QX)	E-19 FLYWHEEL
-------------	---------------



Ref	Partnumber	Description	GX340K1	Serial Numbers
001	19511-ZE3-000	FAN, COOLING	1	
003	28450-ZE3-W11	PULLEY COMP., STARTER(SCREEN GRID)	1	
004	28451-ZE3-W01	PULLEY, STARTER	1	
006	31100-ZE3-701	FLYWHEEL COMP.	1	
009	90201-ZE3-790	NUT, SPECIAL, 16MM	1	2536522
009	90201-ZE3-V00	NUT, SPECIAL, 16MM	1	2536523
010	90741-ZE2-000	KEY, SPECIAL WOODRUFF, 25X18	1	

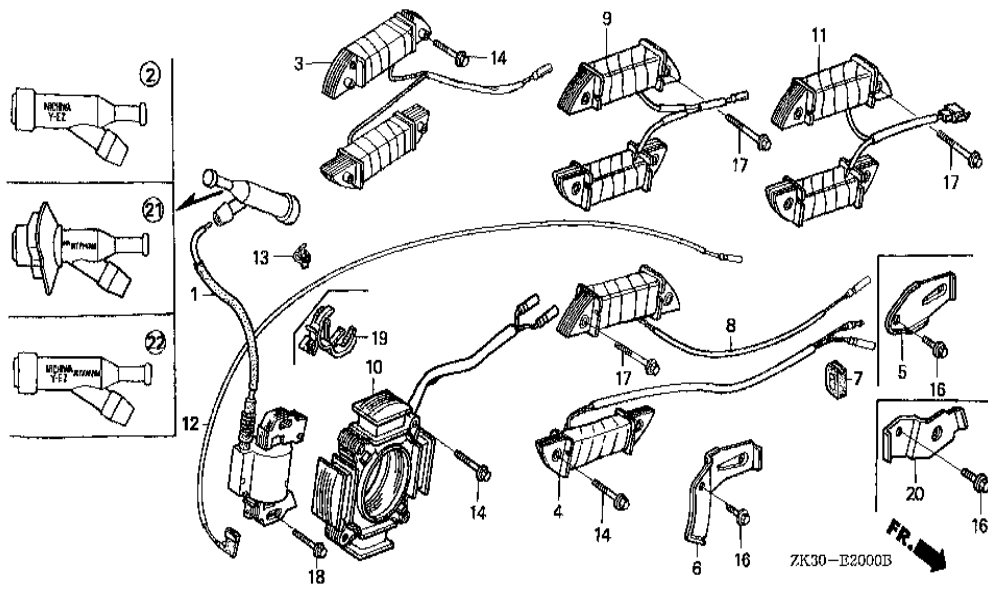
GX340K1(QX)	E-2 CYLINDER HEAD
-------------	-------------------



Ref	Partnumber	Description	GX340K1	Serial Numbers
001	12200-ZF6-W01	HEAD COMP., CYLINDER	1	
002	12204-ZE2-306	GUIDE, IN. VALVE (O.S.)	(1)	
003	12205-ZE2-305	GUIDE, EX. VALVE (O.S.)	(1)	
004	12216-ZE2-300	CLIP, VALVE GUIDE	1	
005	12251-ZE3-W00	GASKET, CYLINDER HEAD	1	
006	12310-ZE2-010	COVER COMP., HEAD	1	2179883
006	12310-ZE2-020	COVER COMP., HEAD	1	2179884
007	12391-ZE2-010	PACKING, HEAD COVER	1	2179883
007	12391-ZE2-020	PACKING, HEAD COVER	1	2179884
011	90014-ZE2-000	BOLT, HEAD COVER	1	
012	90042-ZE8-000	BOLT, STUD, 8X131.5	2	
013	90047-ZE2-000	BOLT, STUD, 8X47	2	3030997
013	92900-080320E	BOLT, STUD, 8X32	2	3030998

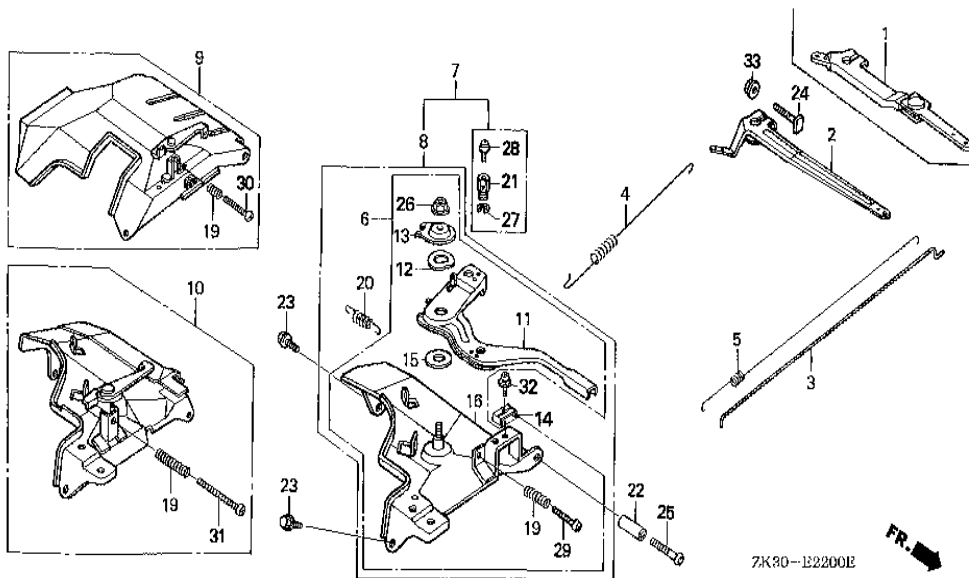
<u>Ref</u>	<u>Partnumber</u>	<u>Description</u>	<u>GX340K1</u>	<u>Serial Numbers</u>
014	90441-ZE2-010	WASHER COMP., HEAD COVER	1	
016	94301-12200-	DOWEL PIN, 12X20	2	
017	95005-1110530	TUBE, 11X105(95005-11001-30M)	1	
018	95725-1008000	BOLT, FLANGE, 10X80	4	
019	98079-55846-	PLUG, SPARK (BPR5ES) (NGK)	(1)	
019	98079-55855-	PLUG, SPARK (W16EPR-U) (DENSO)	(1)	
019	98079-56846-	PLUG, SPARK (BPR6ES) (NGK)	1	
019	98079-56855-	PLUG, SPARK (W20EPR-U) (DENSO)	1	

GX340K1(QX)	E-20 IGNITION COIL (1)
-------------	------------------------



Ref	Partnumber	Description	GX340K1	Serial Numbers
001	30500-ZE2-013	COIL ASSY., IGNITION	1	2286768
001	30500-ZF6-W02	COIL ASSY., IGNITION	1	2286769
007	31512-ZE2-000	GROMMET, CORD	1	
012	36101-ZE2-701	CORD, STOP SWITCH (430MM)	1	
018	90015-883-000	BOLT, FLANGE, 6X28	2	
022	30700-ZE1-013	CAP ASSY., NOISE SUPPRESSOR(NICHIWA Y-EZ	1	

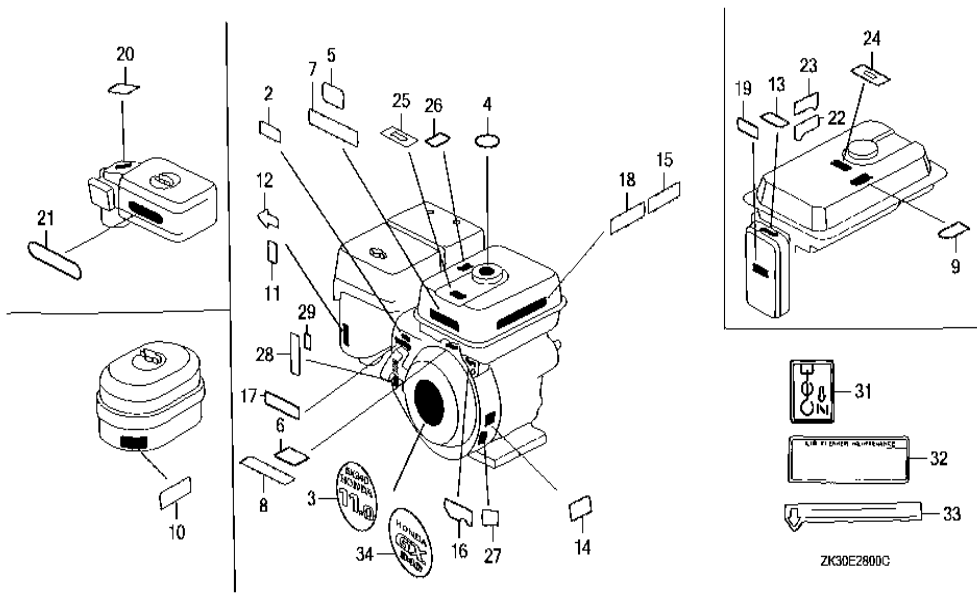
GX340K1(QX)	E-22 CONTROL (1)
-------------	------------------



Ref	Partnumber	Description	GX340K1	Serial Numbers
002	16551-ZE3-000	ARM, GOVERNOR	1	
003	16555-ZE3-000	ROD, GOVERNOR	1	3032024
003	16555-ZE3-W00	ROD, GOVERNOR (STD.)	1	3032023
004	16561-ZE3-000	SPRING, GOVERNOR	1	
005	16562-ZE3-000	SPRING, THROTTLE RETURN	1	
008	16570-ZE3-W20	CONTROL ASSY. (REMOTE)	1	
011	16571-ZE3-W00	LEVER, CONTROL	1	
012	16574-ZE1-000	SPRING, LEVER	1	
013	16575-ZE2-W00	WASHER, CONTROL LEVER	1	
014	16576-891-000	HOLDER, CABLE	1	
015	16578-ZE1-000	SPACER, CONTROL LEVER	1	
016	16581-ZE3-W00	BASE COMP., CONTROL (###)	1	
019	16584-883-300	SPRING, CONTROL ADJUSTING	1	

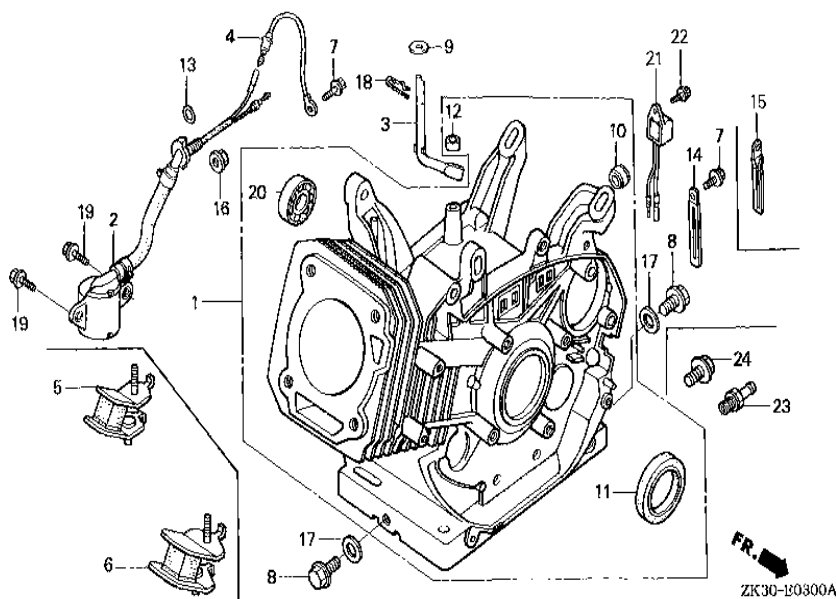
<u>Ref</u>	<u>Partnumber</u>	<u>Description</u>	<u>GX340K1</u>	<u>Serial Numbers</u>
020	16592-883-310	SPRING, CABLE RETURN	1	
023	90013-883-000	BOLT, FLANGE, 6X12 (CT200)	2	
024	90015-ZE5-010	BOLT, GOVERNOR ARM	1	
026	90114-SA0-000	NUT, SELF-LOCK, 6MM	1	
029	93500-050320A	SCREW, PAN, 5X32	1	
032	93500-050160A	SCREW, PAN, 5X16	1	2206229
032	93893-0501600	SCREW-WASHER, 5X16	1	2206228
033	94050-06000-	NUT, FLANGE, 6MM	1	

GX340K1(QX)	E-28 LABEL (1)
-------------	----------------



Ref	Partnumber	Description	GX340K1	Serial Numbers
003	87521-ZE3-W01	EMBLEM (GX340 HONDA 11.0)(ELECTRONIC IGN	1	2143836 3449599
003	87521-ZE3-W02	EMBLEM (GX340 HONDA 11.0)	1	3449600
003	87521-ZE3-W10	EMBLEM (GX340 HONDA 11.0HP)(ELECTRONIC I	1	2143835
004	87522-ZE1-810	MARK, CAUTION	1	2302949
007	87522-ZH9-010	LABEL, CAUTION (ENGLISH, ETC.)	1	
011	87528-ZE2-810	MARK, CHOKE (ORANGE)	1	
014	87530-ZE3-W10	LABEL, SPECIFICATION(EXTERNAL)	1	2205609
015	87532-ZB4-G60	MARK, OIL ALERT (GERMAN)	1	2215598
015	87532-ZB4-H50	MARK, OIL ALERT (FRENCH)	1	2215598
016	87532-ZE1-810	MARK, OIL ALERT (EXTERNAL)	1	2143683
018	87532-ZH8-810	MARK, OIL ALERT (EXTERNAL)	1	2143684
028	87135-ZE2-010	LABEL, E-SPEC (EPA STANDARD)(15.5X60.0)	1	3334264

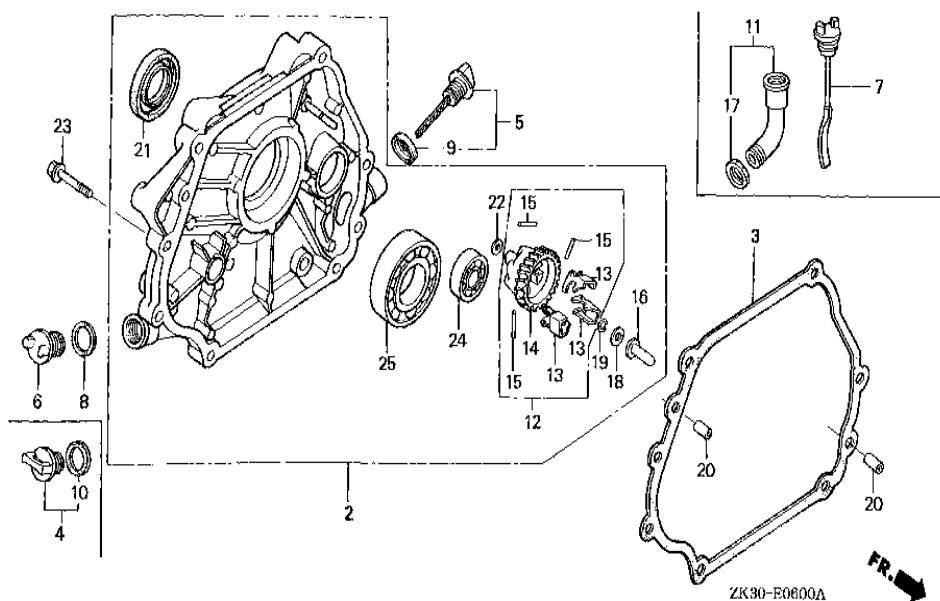
GX340K1(QX)	E-3 CYLINDER BARREL
-------------	---------------------



Ref	Partnumber	Description	GX340K1	Serial Numbers
001	12000-ZE3-816	BARREL ASSY., CYLINDER (ALERT)	1	2248169 3334263
001	12000-ZE3-818	BARREL ASSY., CYLINDER (ALERT)	1	3334264
001	120A0-ZE3-814	BARREL ASSY., CYLINDER (ALERT)	1	2166657
001	120A0-ZE3-815	BARREL ASSY., CYLINDER (ALERT)	1	2166658 2248168
002	15510-ZE2-043	SWITCH ASSY., OIL LEVEL	1	
003	16541-ZE3-010	SHAFT, GOVERNOR ARM	1	
004	32197-ZE2-003	SUB HARNESS	1	
007	90013-883-000	BOLT, FLANGE, 6X12 (CT200)	1	
008	90131-883-000	BOLT, DRAIN PLUG, 12X15	2	
009	90446-KE1-000	WASHER, 8.2X17X0.8	1	
010	90801-ZE2-003	PLUG, SEALING (RUBBER 10MM)	1	
011	91201-ZE3-004	OIL SEAL, 35X52X8	1	
012	91203-952-771	OIL SEAL, 8X14X5	1	

<u>Ref</u>	<u>Partnumber</u>	<u>Description</u>	<u>GX340K1</u>	<u>Serial Numbers</u>
013	91353-671-004	O-RING, 14MM (NOK)	1	
016	94050-10000-	NUT, FLANGE, 10MM	1	
017	94109-12000-	WASHER, DRAIN PLUG, 12MM	2	
018	94251-08000-	PIN, LOCK, 8MM	1	2366663
018	94251-10000-	PIN, LOCK, 10MM	1	2366664
019	95701-0601200	BOLT, FLANGE, 6X12	2	
020	96100-6202000	BEARING, RADIAL BALL, 6202	1	
021	34150-ZH7-003	ALERT UNIT, OIL	1	2801238
022	90013-883-000	BOLT, FLANGE, 6X12 (CT200)	1	2801238

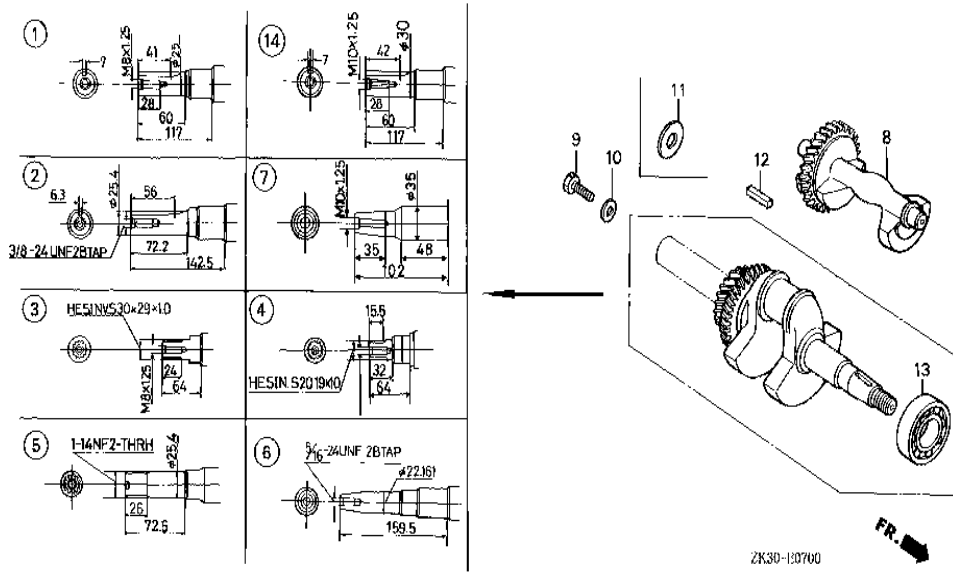
GX340K1(QX)	E-6 CRANKCASE COVER (1)
-------------	-------------------------



Ref	Partnumber	Description	GX340K1	Serial Numbers
002	11300-ZE3-602	COVER ASSY., CRANKCASE	1	3460754
002	11300-ZE3-604	COVER ASSY., CRANKCASE	1	3460755
003	11381-ZE3-801	PACKING, CASE COVER	1	
004	15600-ZG4-003	CAP ASSY., OIL FILLER	1	2259155
005	15600-735-003	CAP ASSY., OIL FILLER	1	
006	15620-ZG4-910	CAP, OIL FILLER	1	2259154
008	15621-896-010	PACKING, OIL FILLER CAP	1	2259154
009	15625-ZE1-003	PACKING, OIL FILLER CAP	1	
010	15625-ZE1-003	PACKING, OIL FILLER CAP	1	2259155
012	16510-ZE3-000	GOVERNOR ASSY.	1	
013	16511-ZE8-000	WEIGHT, GOVERNOR	3	
014	16512-ZE3-000	HOLDER, GOVERNOR WEIGHT	1	
015	16513-ZE2-000	PIN, GOVERNOR WEIGHT	3	

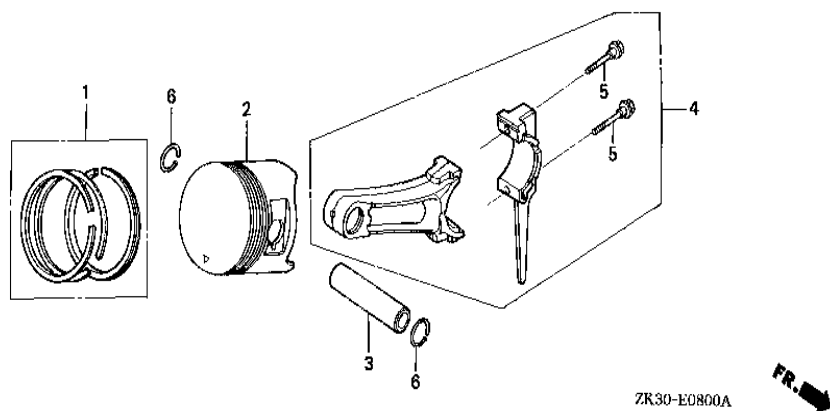
<u>Ref</u>	<u>Partnumber</u>	<u>Description</u>	<u>GX340K1</u>	<u>Serial Numbers</u>
016	16531-Z0A-000	SLIDER, GOVERNOR	1	3460755
016	16531-ZE2-000	SLIDER, GOVERNOR	1	3460754
018	90473-147-000	WASHER, 6X16	1	
019	90602-ZE1-000	CLIP, GOVERNOR HOLDER	1	
020	90701-HC4-000	DOWEL PIN, 8X12	2	
021	91201-ZE3-004	OIL SEAL, 35X52X8	1	
022	94101-06800-	WASHER, PLAIN, 6MM	1	
023	95701-0804000	BOLT, FLANGE, 8X40	7	
024	96100-6202000	BEARING, RADIAL BALL, 6202	1	
025	96100-6207000	BEARING, RADIAL BALL, 6207	1	

GX340K1(QX)	E-7 CRANKSHAFT
-------------	----------------



Ref	Partnumber	Description	GX340K1	Serial Numbers
002	13310-ZE3-601	CRANKSHAFT COMP.	1	
008	13351-ZE3-010	WEIGHT, BALANCER	1	
012	90745-ZE2-600	KEY, 6.3X6.3X43	1	
013	96100-6207000	BEARING, RADIAL BALL, 6207	1	

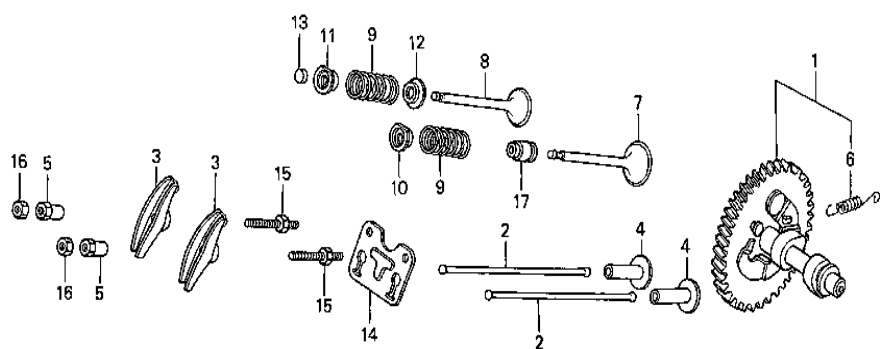
GX340K1(QX)	E-8 PISTON
-------------	------------



Ref	Partnumber	Description	GX340K1	Serial Numbers
001	13010-ZE3-003	RING SET, PISTON (STD.)(NIPPON)	1	
001	13010-ZE3-005	RING SET, PISTON (STD.)(TEIKOKU)	1	
001	13011-ZE3-003	RING SET, PISTON (0.25)(NIPPON)	(1)	
001	13011-ZE3-005	RING SET, PISTON (0.25)(TEIKOKU)	(1)	
001	13012-ZE3-003	RING SET, PISTON (0.50)(NIPPON)	(1)	
001	13012-ZE3-005	RING SET, PISTON (0.50)(TEIKOKU)	(1)	
001	13013-ZE3-003	RING SET, PISTON (0.75)(NIPPON)	(1)	
001	13013-ZE3-005	RING SET, PISTON (0.75)(TEIKOKU)	(1)	
002	13101-ZE3-W00	PISTON (STD.)	1	
002	13102-ZE3-W00	PISTON (0.25)	(1)	
002	13103-ZE3-W00	PISTON (0.50)	(1)	
002	13104-ZE3-W00	PISTON (0.75)	(1)	
003	13111-ZF6-000	PIN, PISTON	1	

<u>Ref</u>	<u>Partnumber</u>	<u>Description</u>	<u>GX340K1</u>	<u>Serial Numbers</u>
004	13200-ZE3-010	ROD ASSY., CONNECTING (STD.)	1	3413369
004	13200-ZE3-020	ROD ASSY., CONNECTING (STD.)	1	3413370
004	13200-ZE3-315	ROD ASSY., CONNECTING(0.25 UNDER SIZE)	(1)	
005	90001-ZE8-000	BOLT, CONNECTING ROD	2	
006	90601-ZE3-000	CLIP, PISTON PIN, 20MM	2	

GX340K1(QX)	E-9 CAMSHAFT
-------------	--------------



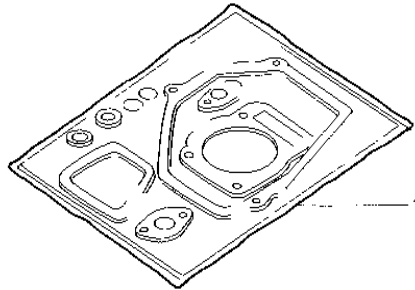
FR.

2K30-E0900

Ref	Partnumber	Description	GX340K1	Serial Numbers
001	14100-ZE3-010	CAMSHAFT ASSY.	1	2708026
001	14100-ZE3-020	CAMSHAFT ASSY.	1	2708027
002	14410-ZE3-013	ROD, PUSH	2	
003	14431-ZE2-010	ARM, VALVE ROCKER	2	
004	14441-ZE2-000	LIFTER, VALVE	2	
005	14451-ZE1-013	PIVOT, ROCKER ARM	2	
006	14568-ZE1-000	SPRING, WEIGHT RETURN	1	
007	14711-ZE3-000	VALVE, IN.	1	
008	14721-ZE3-000	VALVE, EX.	1	
009	14751-ZE2-003	SPRING, VALVE	2	
010	14771-ZE2-000	RETAINER, IN. VALVE SPRING	1	
011	14773-ZE2-000	RETAINER, EX. VALVE SPRING	1	
012	14775-ZE2-010	SEAT, VALVE SPRING	1	

<u>Ref</u>	<u>Partnumber</u>	<u>Description</u>	<u>GX340K1</u>	<u>Serial Numbers</u>
013	14781-ZE2-000	ROTATOR, VALVE	1	
014	14791-ZE2-010	PLATE, PUSH ROD GUIDE	1	
015	90012-ZE0-010	BOLT, PIVOT, 8MM	2	
016	90206-ZE1-000	NUT, PIVOT ADJUSTING	2	
017	12209-ZE8-003	SEAL, VALVE STEM	1	3334264

GX340K1(QX)	EOP-1 GASKET KIT
-------------	------------------



HENG-X0003

<u>Ref</u>	<u>Partnumber</u>	<u>Description</u>	<u>GX340K1</u>	<u>Serial Numbers</u>
001	061B1-ZE3-010	GASKET KIT	1	3032023