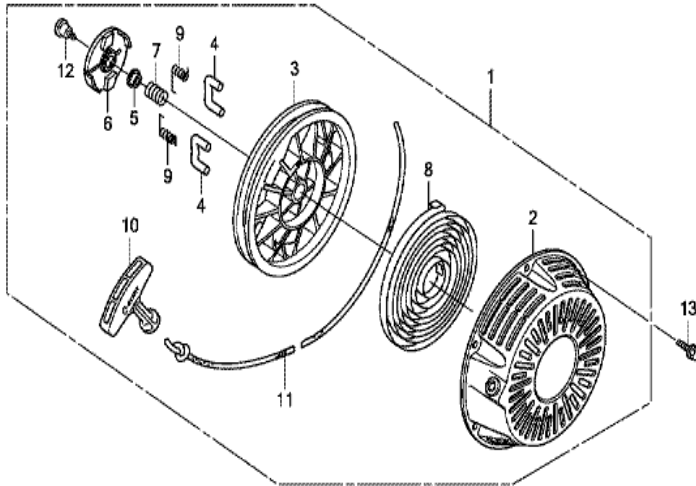




GX390H1(SX)

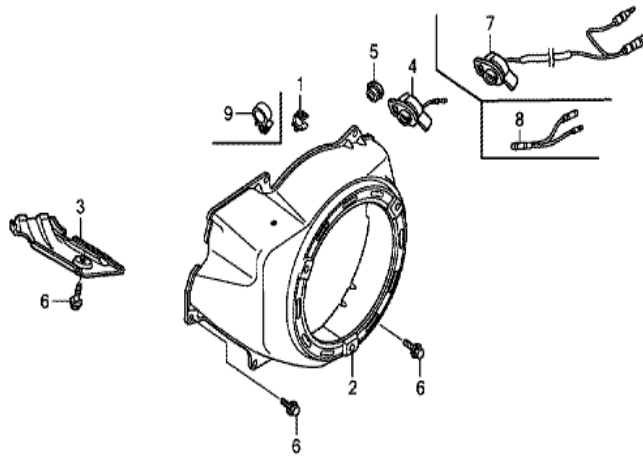
E-11-2 RECOIL STARTER (3)


  
Z7E0E1102

<u>Ref</u>	<u>Partnumber</u>	<u>Description</u>	<u>GX390H1</u>	<u>Serial Numbers</u>
001	28400-Z7E-702ZA	STARTER ASSY., RECOIL *R280*	1	0386427
001	28400-Z7E-702ZB	STARTER ASSY., RECOIL *NH1*	1	0386427
002	28410-Z7E-701ZA	CASE COMP., RECOIL STARTER *R280*	1	0386427
002	28410-Z7E-701ZB	CASE COMP., RECOIL STARTER *NH1*	1	0386427
003	28420-Z7E-702	REEL, RECOIL STARTER (BLACK)	1	0386427
004	28422-Z7E-701	RATCHET, STARTER	2	0386427
005	28431-Z2E-003	PLATE, FRICTION	1	0386427
006	28433-Z7E-702	GUIDE, RATCHET	1	0386427
007	28441-Z2E-003	SPRING, FRICTION	1	0386427
008	28442-Z7E-003	SPRING, RECOIL STARTER	1	0386427
009	28443-Z1T-701	SPRING, RETURN	2	0386427
010	28461-Z2E-003	GRIP, STARTER	1	0386427
011	28462-Z7E-701	ROPE, RECOIL STARTER	1	0386427
<u>Ref</u>	<u>Partnumber</u>	<u>Description</u>	<u>GX390H1</u>	<u>Serial Numbers</u>
012	90003-ZH8-801	SCREW, SETTING	1	0386427
013	90008-Z1T-000	BOLT, FLANGE, 6X10	3	0386427

GX390H1(SX)

E-12 FAN COVER



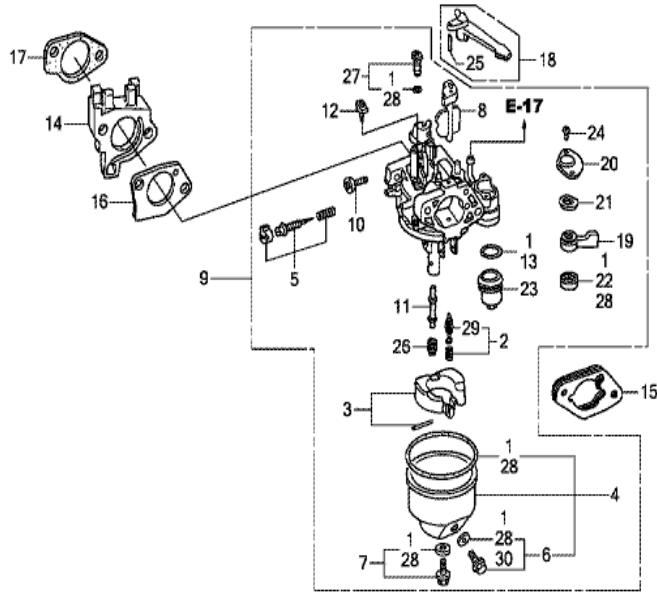
Z7E0E1200B



<u>Ref</u>	<u>Partnumber</u>	<u>Description</u>	<u>GX390H1</u>	<u>Serial Numbers</u>
001	16731-Z7E-000	CLIP, TUBE	1	0012812
002	19610-Z7E-000ZA	COVER COMP., FAN *NH1 *	1	
002	19610-Z7E-000ZB	COVER COMP., FAN *R280 *	1	0003245
003	19631-ZE3-W00	SHROUD	1	
004	36100-ZH7-003	SWITCH ASSY., ENGINE STOP	1	
006	90013-883-000	BOLT, FLANGE, 6X12 (CT200)	6	
007	36100-ZF6-P82	SWITCH ASSY., ENGINE STOP	1	

GX390H1(SX)

E-14 CARBURETOR (1)

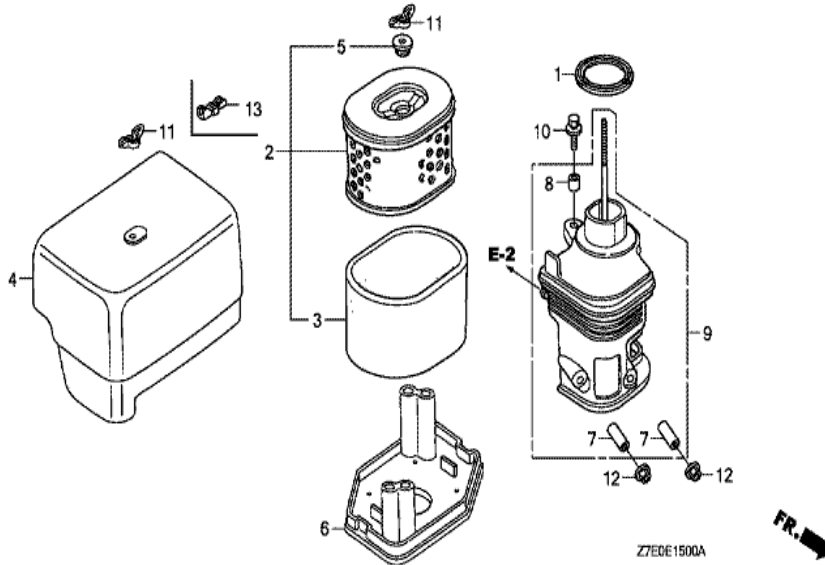


Z7E0E1400C

<u>Ref</u>	<u>Partnumber</u>	<u>Description</u>	<u>GX390H1</u>	<u>Serial Numbers</u>
001	16010-ZE2-812	GASKET SET	1	
002	16011-ZA0-931	VALVE SET, FLOAT	1	BE85U A
003	16013-Z1C-003	FLOAT SET	1	BE85T A
003	16013-Z7E-701	FLOAT SET	1	BE85T B
004	16015-ZE8-005	CHAMBER SET, FLOAT	1	
005	16016-ZH7-W01	SCREW SET, PILOT	1	
006	16024-ZE1-811	SCREW SET, DRAIN	1	
007	16028-ZE0-005	SCREW SET	1	
008	16044-ZE3-W20	CHOKE SET	1	
009	16100-Z7E-801	CARBURETOR ASSY. (BE85T A/B)	1	
010	16124-ZE0-005	SCREW, THROTTLE STOP	1	
011	16166-ZF6-V00	NOZZLE, MAIN	1	
012	16172-ZE3-W10	COLLAR, SETTING	1	
<u>Ref</u>	<u>Partnumber</u>	<u>Description</u>	<u>GX390H1</u>	<u>Serial Numbers</u>
013	16173-001-004	O-RING	1	
014	16211-Z7E-000	INSULATOR, CARBURETOR	1	
015	16220-ZA0-702	SPACER COMP., CARBURETOR	1	
016	16221-Z7E-701	PACKING, CARBURETOR (NINGBO SIL GASKET)	1	
016	16221-ZF6-800	PACKING, CARBURETOR	1	
017	16212-Z7E-701	PACKING, INSULATOR (NINGBO SIL GASKET)	1	
017	16223-ZE3-W00	PACKING, INSULATOR	1	
018	16610-Z1T-000	LEVER COMP., CHOKE (STD.)	1	
018	16610-ZE1-000	LEVER COMP., CHOKE (STD.)	1	
019	16953-ZE1-812	LEVER, COCK	1	
020	16954-ZE1-812	PLATE, LEVER SETTING	1	
021	16956-ZE1-811	SPRING, COCK LEVER	1	
022	16957-ZE1-812	PACKING, FUEL COCK	1	
023	16967-ZE0-811	CUP, FUEL STRAINER	1	
024	93500-030061H	SCREW, PAN, 3X6	2	
025	94305-20122	PIN, SPRING, 2X12	1	
026	99101-ZH80880	JET, MAIN, #88	(1)	
026	99101-ZH80900	JET, MAIN, #90	(1)	
026	99101-ZH80920	JET, MAIN, #92	1	
026	99101-ZH80920	JET, MAIN, #92	(1)	
027	99204-ZA00450	JET SET, PILOT, #45	1	
029	16011-Z7E-701	VALVE SET, FLOAT	1	BE85T B
029	16011-Z7E-701	VALVE SET, FLOAT	1	BE85T B
030	16141-Z0S-003	WASHER, PLAIN (6.2X10.7 DRAIN)	1	

GX390H1(SX)

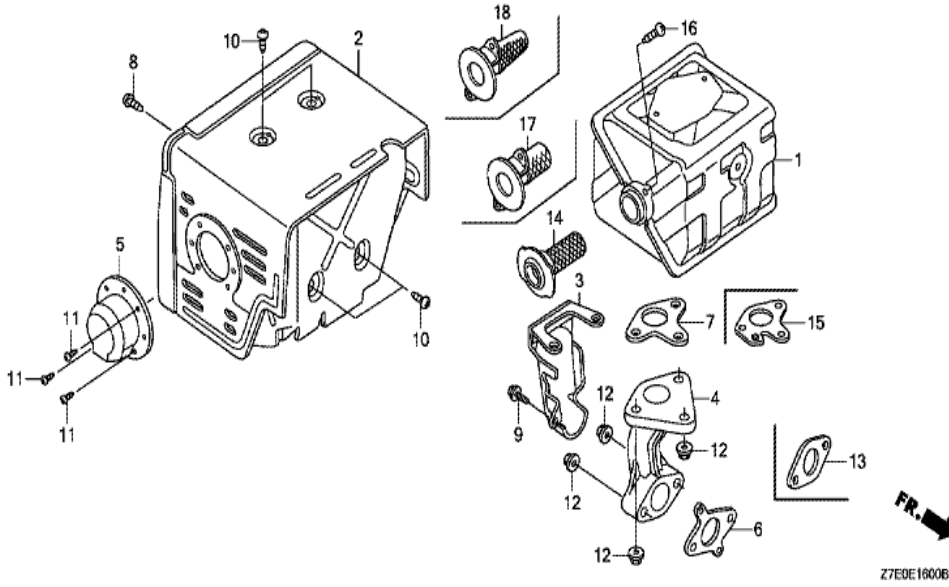
E-15 AIR CLEANER (1)



<u>Ref</u>	<u>Partnumber</u>	<u>Description</u>	<u>GX390H1</u>	<u>Serial Numbers</u>
001	16271-ZE2-010	PACKING, ELBOW	1	
002	17210-ZE3-010	ELEMENT, AIR CLEANER	1	
003	17218-ZE3-000	FILTER, OUTER	1	
004	17231-ZE3-W01	COVER, AIR CLEANER	1	
005	17232-891-000	GROMMET, AIR CLEANER	1	
006	17235-ZH9-N01	NOSE, SILENCER	1	
007	17238-ZE2-310	COLLAR, AIR CLEANER	2	
008	17239-ZE1-000	COLLAR B, AIR CLEANER	1	
009	17410-ZH9-N00	ELBOW COMP., AIR CLEANER	1	0325786
009	17410-ZH9-N01	ELBOW COMP., AIR CLEANER	1	0325787
010	90009-ZE2-003	BOLT-WASHER, 6X22	1	
011	90325-044-000	NUT, TOOL BOX SETTING	2	
012	94050-06000	NUT, FLANGE, 6MM	2	

GX390H1(SX)

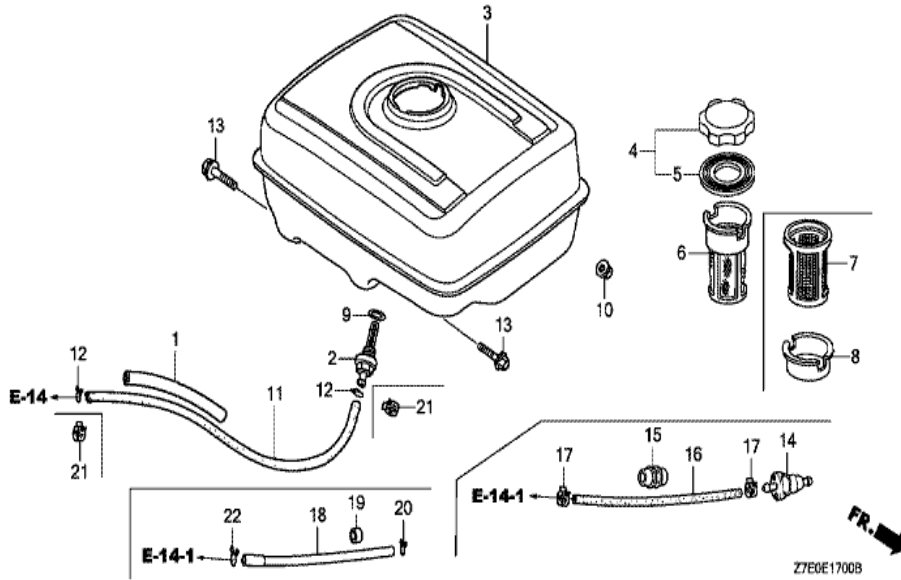
E-16 MUFFLER



<u>Ref</u>	<u>Partnumber</u>	<u>Description</u>	<u>GX390H1</u>	<u>Serial Numbers</u>
001	18310-ZE2-W61	MUFFLER COMP. (100DB)	1	0325786
001	18310-ZE2-W62	MUFFLER COMP. (100DB)	1	0325787
002	18320-ZE2-W61	PROTECTOR COMP., MUFFLER	1	0059856
002	18320-ZE2-W62	PROTECTOR COMP., MUFFLER	1	0059857
004	18330-ZE2-W00	PIPE, EX.	1	
006	18333-ZF6-W01	GASKET, EX. PIPE	1	
007	18381-ZE2-801	GASKET, MUFFLER (NIPPON LEAKLESS)	1	
008	90006-ZE2-000	SCREW, TAPPING, 6X10	1	
010	90050-ZE1-000	SCREW, TAPPING, 5X8	4	
012	94050-08000	NUT, FLANGE, 8MM	5	

GX390H1(SX)

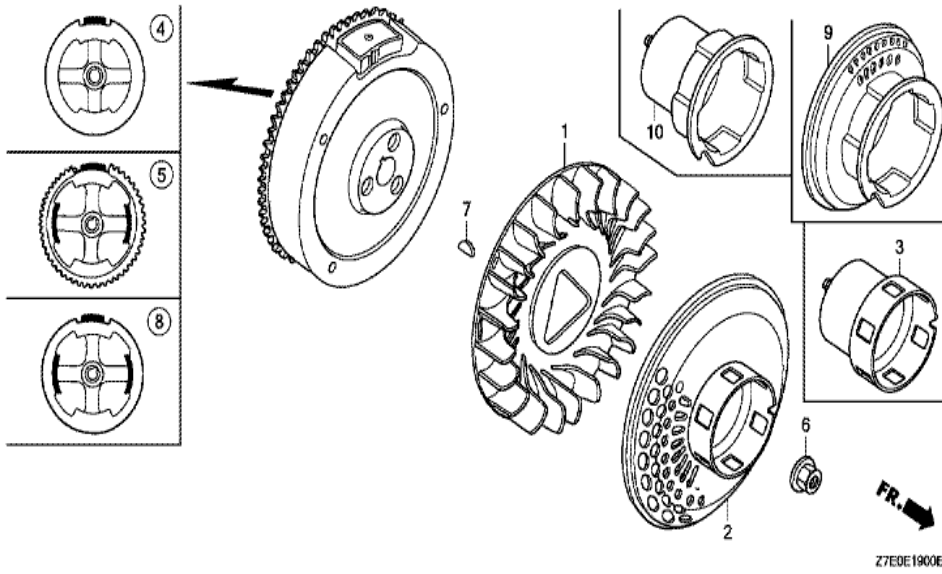
E-17 FUEL TANK



Ref	Partnumber	Description	GX390H1	Serial Numbers
001	16854-ZH8-000	RUBBER, SUPPORTER (107MM)	1	
002	16955-Z1T-010	JOINT, FUEL TANK	1	
002	16955-ZE1-000	JOINT, FUEL TANK	1	
002	16955-ZE1-010	JOINT, FUEL TANK	1	
003	17510-ZE3-801ZA	TANK COMP., FUEL *NH1 *	1	
003	17510-ZE3-801ZC	TANK COMP., FUEL *NH31 *	1	
004	17620-Z1T-800	CAP COMP., FUEL FILLER (CHROME PLATED) (	1	
005	17631-Z1T-800	PACKING, FUEL FILLER CAP (39X62X3) (TOYO	1	
009	91353-Z7E-003	O-RING, 14MM	1	
010	94050-08000	NUT, FLANGE, 8MM	2	
011	95001-4523540	TUBE, FUEL, 4.5X235 (95001-45001-60M)	1	
012	95002-02080	CLIP, TUBE (B8)	2	
013	95701-0802500	BOLT, FLANGE, 8X25	2	

GX390H1(SX)

E-19 FLYWHEEL

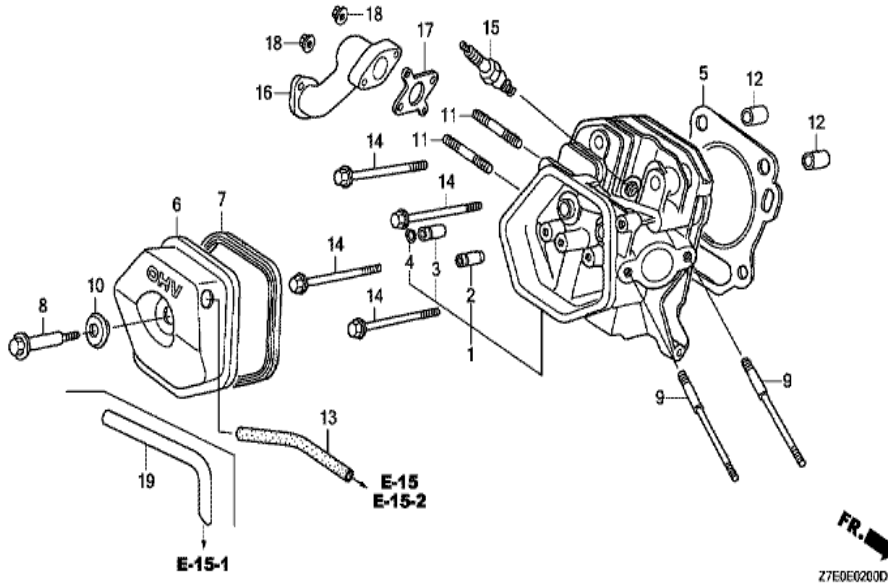


Ref	Partnumber	Description	GX390H1	Serial Numbers
001	19511-Z7E-000	FAN, COOLING	1	0007968
002	28450-Z7E-000	PULLEY COMP., STARTER	1	0281238
004	31110-Z7E-602	FLYWHEEL COMP.	1	
004	31110-Z7E-801	FLYWHEEL COMP.	1	
006	90201-ZE3-V00	NUT, SPECIAL, 16MM	1	
007	90741-ZE2-000	KEY, SPECIAL WOODRUFF, 25X18	1	
009	28450-Z7E-700	PULLEY COMP., STARTER	1	0281239
009	28450-Z7E-701	PULLEY COMP., STARTER	1	0281239



GX390H1(SX)

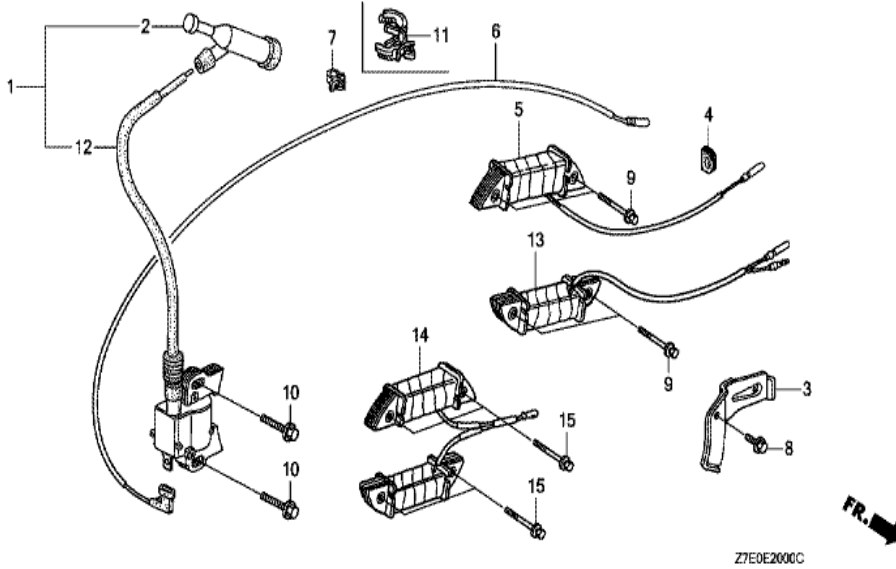
E-2 CYLINDER HEAD



<u>Ref</u>	<u>Partnumber</u>	<u>Description</u>	<u>GX390H1</u>	<u>Serial Numbers</u>
001	12200-Z7E-000	HEAD COMP., CYLINDER	1	
002	12204-ZE2-306	GUIDE, IN. VALVE (O.S.)	1	
003	12205-ZE2-305	GUIDE, EX. VALVE (O.S.)	1	
004	12216-ZE2-300	CLIP, VALVE GUIDE	1	
005	12251-ZF6-W00	GASKET, CYLINDER HEAD	1	
006	12310-ZE2-020	COVER COMP., HEAD	1	
007	12391-ZE2-020	PACKING, HEAD COVER	1	
008	90014-ZE2-000	BOLT, HEAD COVER	1	
009	90042-ZE8-000	BOLT, STUD, 8X131.5	2	
010	90441-ZE2-010	WASHER COMP., HEAD COVER	1	
011	92900-080320E	BOLT, STUD, 8X32	2	
012	94301-12200	DOWEL PIN, 12X20	2	
013	95005-1110530	TUBE, 11X105 (95005-11001-30M)	1	
<u>Ref</u>	<u>Partnumber</u>	<u>Description</u>	<u>GX390H1</u>	<u>Serial Numbers</u>
014	95701-1008000	BOLT, FLANGE, 10X80	4	0000518
014	95725-1008000	BOLT, FLANGE, 10X80	4	0000517
015	98079-55846	PLUG, SPARK (BPR5ES) (NGK)	(1)	
015	98079-55855	PLUG, SPARK (W16EPR-U) (DENSO)	1	
015	98079-55855	PLUG, SPARK (W16EPR-U) (DENSO)	(1)	
015	98079-56846	PLUG, SPARK (BPR6ES) (NGK)	1	

GX390H1(SX)

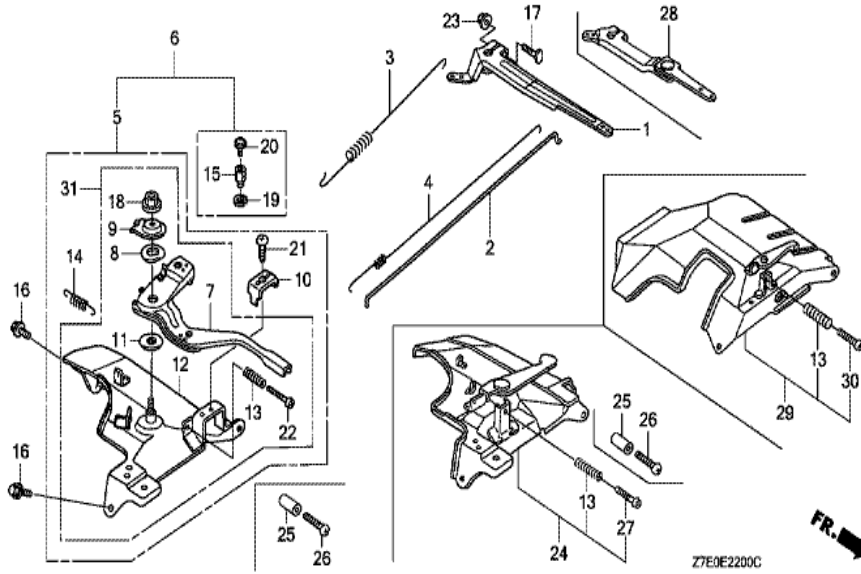
E-20 IGNITION COIL



<u>Ref</u>	<u>Partnumber</u>	<u>Description</u>	<u>GX390H1</u>	<u>Serial Numbers</u>
001	30500-Z7E-003	COIL ASSY., IGNITION	1	
002	30700-Z1T-003	CAP ASSY., NOISE SUPPRESSOR (TEC)	1	
002	30700-Z1T-701	CAP ASSY., NOISE SUPPRESSOR (KOKUSAN)	1	0650383
004	31512-ZE2-000	GROMMET, CORD	1	
006	32195-Z7E-701	CORD, STOP SWITCH (430MM)	1	0650383
006	36101-ZE2-701	CORD, STOP SWITCH (430MM)	1	
010	90015-883-000	BOLT, FLANGE, 6X28 (CT200)	2	
011	90684-Z7E-000	CLIP, HARNESS	1	0011401
012	30500-Z7E-701	COIL ASSY., IGNITION	1	0650383

GX390H1(SX)

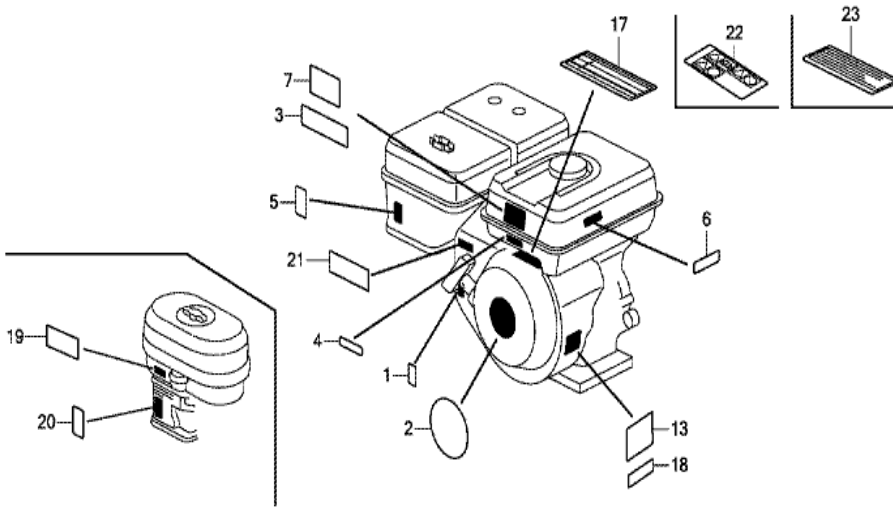
E-22 CONTROL



<u>Ref</u>	<u>Partnumber</u>	<u>Description</u>	<u>GX390H1</u>	<u>Serial Numbers</u>
001	16551-ZE3-000	ARM, GOVERNOR	1	
002	16555-ZE3-000	ROD, GOVERNOR	1	
003	16561-ZE3-000	SPRING, GOVERNOR (L=137.5MM)	1	
004	16562-ZE3-000	SPRING, THROTTLE RETURN	1	
005	16570-ZE3-W20	CONTROL ASSY. (REMOTE)	1	
007	16571-ZE3-W00	LEVER, CONTROL	1	
008	16574-ZE1-000	SPRING, LEVER	1	
009	16575-ZE2-W00	WASHER, CONTROL LEVER	1	
010	16576-891-000	HOLDER, CABLE	1	
011	16578-ZE1-000	SPACER, CONTROL LEVER	1	
012	16581-ZE3-W00	BASE COMP., CONTROL (###)	1	
013	16584-883-300	SPRING, CONTROL ADJUSTING	1	
014	16592-883-310	SPRING, CABLE RETURN	1	
<u>Ref</u>	<u>Partnumber</u>	<u>Description</u>	<u>GX390H1</u>	<u>Serial Numbers</u>
016	90013-883-000	BOLT, FLANGE, 6X12 (CT200)	2	
017	90015-ZE5-010	BOLT, GOVERNOR ARM	1	
018	90114-SA0-000	NUT, SELF-LOCK, 6MM	1	
018	90202-Z1T-000	NUT, SELF-LOCK, 6MM	1	0166525
021	93500-050160A	SCREW, PAN, 5X16	1	
022	93500-050320A	SCREW, PAN, 5X32	1	
023	94050-06000	NUT, FLANGE, 6MM	1	

GX390H1(SX)

E-28 LABEL

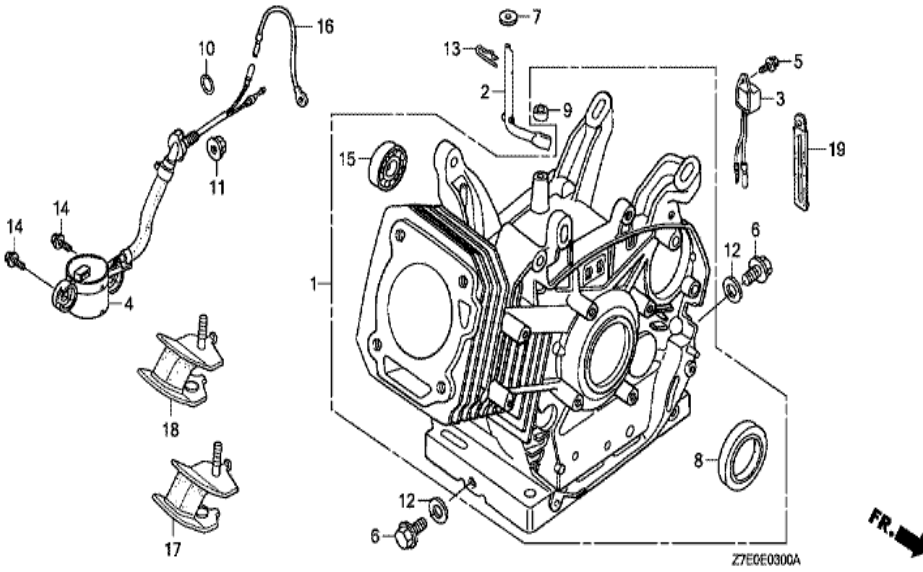


Z7E0E2800K

<u>Ref</u>	<u>Partnumber</u>	<u>Description</u>	<u>GX390H1</u>	<u>Serial Numbers</u>
001	87114-ZH7-000	LABEL, WARNING (NOT CERTIFIED FOR SALE)	1	
002	87521-ZF6-W04	EMBLEM (HONDA GX390)	1	
003	87522-ZH9-010	LABEL, CAUTION (ENGLISH, ETC.)	1	0051201
004	87522-Z1T-J00	LABEL, CAUTION (CHINESE)	1	0051201
005	87528-Z7E-000	MARK, CHOKE	1	
006	87532-Z7E-000	MARK, OIL ALERT	1	0011784
006	87532-Z7E-010	MARK, OIL ALERT	1	0011785
007	87516-ZK6-810	MARK, OPERATOR CAUTION (CHINESE) (MADE I	1	0051202

GX390H1(SX)

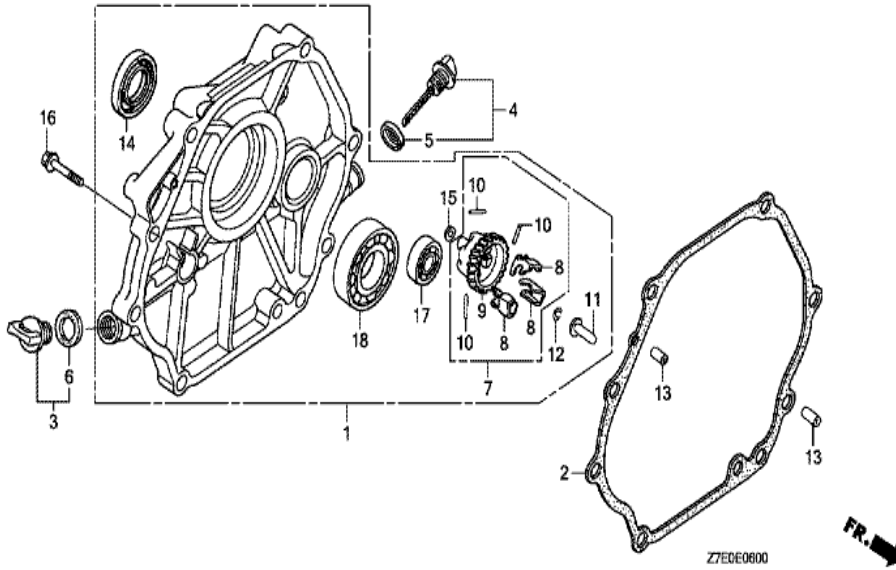
E-3 CYLINDER BARREL



<u>Ref</u>	<u>Partnumber</u>	<u>Description</u>	<u>GX390H1</u>	<u>Serial Numbers</u>
001	12000-Z7E-406	BARREL ASSY., CYLINDER (ALERT)	1	
002	16541-Z7E-000	SHAFT, GOVERNOR ARM	1	0001592
003	34150-ZH7-013	ALERT UNIT, OIL	1	0303719
003	34150-ZH7-023	ALERT UNIT, OIL	1	0303720
004	35480-Z7E-003	SWITCH ASSY., OIL LEVEL	1	0013635
005	90013-883-000	BOLT, FLANGE, 6X12 (CT200)	1	
006	90131-883-000	BOLT, DRAIN PLUG, 12X15	2	
007	90446-Z7E-000	WASHER, 8.2X17X0.8	1	
008	91201-Z7E-003	OIL SEAL, 35X52X8	1	
009	91203-Z7E-003	OIL SEAL, 8X14X5	1	
010	91353-Z7E-003	O-RING, 14MM	1	
011	94050-10000	NUT, FLANGE, 10MM	1	
012	94109-12000	WASHER, DRAIN PLUG, 12MM	2	
<u>Ref</u>	<u>Partnumber</u>	<u>Description</u>	<u>GX390H1</u>	<u>Serial Numbers</u>
013	94251-10000	PIN, LOCK, 10MM	1	
014	95701-0601200	BOLT, FLANGE, 6X12	2	
015	96100-6202000	BEARING, RADIAL BALL, 6202	1	

GX390H1(SX)

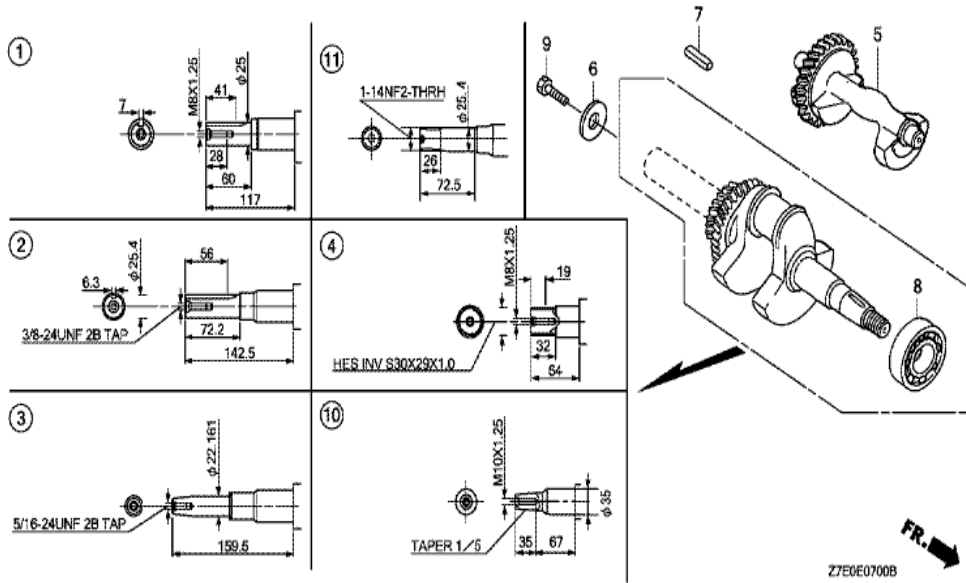
E-6 CRANKCASE COVER (1)



<u>Ref</u>	<u>Partnumber</u>	<u>Description</u>	<u>GX390H1</u>	<u>Serial Numbers</u>
001	11300-Z7E-000	COVER ASSY., CRANKCASE	1	
002	11381-Z7E-701	PACKING, CASE COVER (NINGBO SIL GASKET)	1	
002	11381-ZE3-801	PACKING, CASE COVER	1	
003	15600-Z1T-600	CAP ASSY., OIL FILLER	1	
004	15600-Z7E-000	CAP ASSY., OIL FILLER	1	
005	15625-Z0T-800	PACKING, OIL FILLER CAP	1	0002101
006	15625-Z1T-000	PACKING, OIL FILLER CAP	1	
007	16510-Z7E-000	GOVERNOR ASSY.	1	0001592
008	16511-ZE8-000	WEIGHT, GOVERNOR	3	
009	16512-Z7E-000	HOLDER, GOVERNOR WEIGHT	1	0001592
010	16513-ZE2-000	PIN, GOVERNOR WEIGHT	3	
011	16531-Z0A-000	SLIDER, GOVERNOR	1	
012	90602-ZE1-000	CLIP, GOVERNOR HOLDER	1	
<u>Ref</u>	<u>Partnumber</u>	<u>Description</u>	<u>GX390H1</u>	<u>Serial Numbers</u>
013	90701-Z7E-000	DOWEL PIN, 8X12	2	
014	91201-Z7E-003	OIL SEAL, 35X52X8	1	
015	94101-06800	WASHER, PLAIN, 6MM	1	
016	95701-0804000	BOLT, FLANGE, 8X40	7	
017	96100-6202000	BEARING, RADIAL BALL, 6202	1	
018	91001-Z7E-003	BEARING, RADIAL BALL, 6207	1	0449985
018	96100-6207000	BEARING, RADIAL BALL, 6207	1	

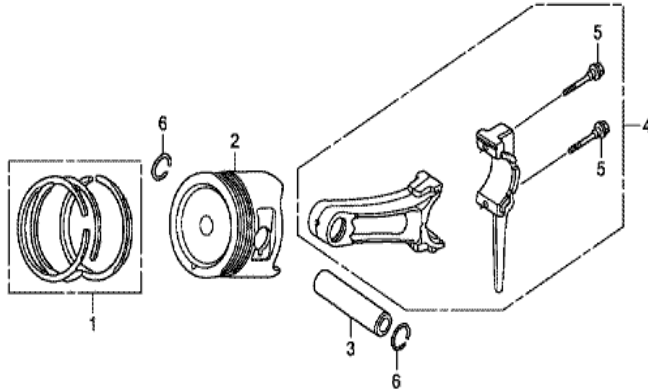
GX390H1(SX)

E-7 CRANKSHAFT



Ref	Partnumber	Description	GX390H1	Serial Numbers
001	13310-Z7E-000	CRANKSHAFT COMP.	1	
005	13351-Z7E-000	WEIGHT, BALANCER	1	0013665
007	90741-805-000	KEY, 7X7X33	1	
007	90741-889-810	KEY, 7X7X33 (YELLOW) (O.S.)	(1)	
008	91001-ZF6-013	BEARING, RADIAL BALL, 6207SH	1	
008	91002-Z7E-003	BEARING, BALL RADIAL, 6207SH2	1	0460960

GX390H1(SX)	E-8 PISTON
-------------	------------



ZTEDE0800



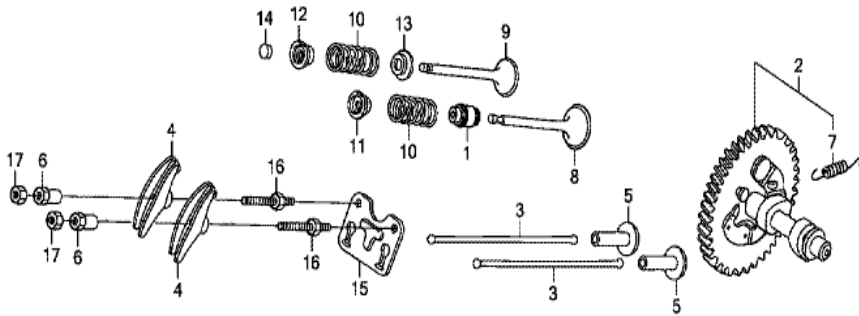
<u>Ref</u>	<u>Partnumber</u>	<u>Description</u>	<u>GX390H1</u>	<u>Serial Numbers</u>
001	13010-Z5R-004	RING SET, PISTON (STD.) (TEIKOKU)	1	0010517
001	13010-Z5T-003	RING SET, PISTON (STD.) (RIKEN)	1	0010517
001	13010-Z7E-701	RING SET, PISTON (STD.) (FUJIAN DONGYA M	1	
001	13010-ZF6-003	RING SET, PISTON (STD.) (NIPPON)	1	0010516
001	13010-ZF6-005	RING SET, PISTON (STD.) (TEIKOKU)	1	0010516
001	13011-Z5R-004	RING SET, PISTON (0.25) (TEIKOKU)	(1)	0010517
001	13011-Z5T-003	RING SET, PISTON (0.25) (RIKEN)	(1)	
001	13011-Z5T-003	RING SET, PISTON (0.25) (RIKEN)	(1)	0010517
001	13011-Z7E-701	RING SET, PISTON (0.25) (FUJIAN DONGYA M	(1)	
001	13011-ZF6-003	RING SET, PISTON (0.25) (NIPPON)	(1)	0010516
001	13011-ZF6-005	RING SET, PISTON (0.25) (TEIKOKU)	(1)	0010516
001	13012-Z5R-004	RING SET, PISTON (0.50) (TEIKOKU)	(1)	0010517
001	13012-Z5T-003	RING SET, PISTON (0.50) (RIKEN)	(1)	0010517
<u>Ref</u>	<u>Partnumber</u>	<u>Description</u>	<u>GX390H1</u>	<u>Serial Numbers</u>
001	13012-Z7E-701	RING SET, PISTON (0.50) (FUJIAN DONGYA M	(1)	
001	13012-ZF6-003	RING SET, PISTON (0.50) (NIPPON)	(1)	0010516
001	13012-ZF6-005	RING SET, PISTON (0.50) (TEIKOKU)	(1)	0010516
001	13013-Z5R-004	RING SET, PISTON (0.75) (TEIKOKU)	(1)	0010517
001	13013-Z5T-003	RING SET, PISTON (0.75) (RIKEN)	(1)	0010517
001	13013-Z7E-701	RING SET, PISTON (0.75) (FUJIAN DONGYA M	(1)	
001	13013-ZF6-003	RING SET, PISTON (0.75) (NIPPON)	(1)	0010516
001	13013-ZF6-005	RING SET, PISTON (0.75) (TEIKOKU)	(1)	0010516
002	13101-Z7E-800	PISTON (STD.)	1	0022197
002	13101-ZF6-W00	PISTON (STD.)	1	0010516
002	13101-ZF6-W01	PISTON (STD.)	1	0010517 0022196
002	13102-Z7E-800	PISTON (0.25)	(1)	0022197
002	13102-ZF6-W00	PISTON (0.25)	(1)	0010516
002	13102-ZF6-W01	PISTON (0.25)	(1)	0010517 0022196
002	13103-Z7E-800	PISTON (0.50)	(1)	0022197
002	13103-ZF6-W00	PISTON (0.50)	(1)	0010516
002	13103-ZF6-W01	PISTON (0.50)	(1)	0010517 0022196
002	13104-Z7E-800	PISTON (0.75)	(1)	0022197
002	13104-ZF6-W00	PISTON (0.75)	(1)	0010516
002	13104-ZF6-W01	PISTON (0.75)	(1)	0010517 0022196
003	13111-Z7E-000	PIN, PISTON	1	0001149
004	13200-Z1C-000	ROD ASSY., CONNECTING (STD.)	1	0139755
004	13200-Z7E-000	ROD ASSY., CONNECTING (JLH) (IDENT MARK	1	0373907
004	13200-ZE3-315	ROD ASSY., CONNECTING (0.25 UNDER SIZE)	(1)	



005	90001-Z7E-000	BOLT, CONNECTING ROD (FOR JLH)	2	0373907
005	90001-ZE8-000	BOLT, CONNECTING ROD	2	
005	90001-ZE8-000	BOLT, CONNECTING ROD	2	
006	90601-ZE3-000	CLIP, PISTON PIN, 20MM	2	

GX390H1(SX)

E-9 CAMSHAFT



Z7E0E0800



<u>Ref</u>	<u>Partnumber</u>	<u>Description</u>	<u>GX390H1</u>	<u>Serial Numbers</u>
001	12209-Z7E-003	SEAL, VALVE STEM	1	0000129
002	14100-ZF6-W01	CAMSHAFT ASSY.	1	
003	14410-Z7E-000	ROD, PUSH	2	
004	14431-ZE2-010	ARM, VALVE ROCKER	2	
005	14441-Z7E-000	LIFTER, VALVE	2	0000129
006	14451-Z7E-000	PIVOT, ROCKER ARM	2	
007	14568-ZE1-000	SPRING, WEIGHT RETURN	1	
008	14711-Z7E-000	VALVE, IN.	1	0000129
009	14721-Z7E-000	VALVE, EX.	1	0000129
010	14751-Z7E-000	SPRING, VALVE	2	
011	14771-ZE2-000	RETAINER, IN. VALVE SPRING	1	
012	14773-ZE2-000	RETAINER, EX. VALVE SPRING	1	
013	14775-ZE2-010	SEAT, VALVE SPRING	1	
<u>Ref</u>	<u>Partnumber</u>	<u>Description</u>	<u>GX390H1</u>	<u>Serial Numbers</u>
014	14781-Z7E-000	ROTATOR, VALVE	1	0001509
015	14791-Z7E-000	GUIDE, PUSH ROD	1	0001617
016	90012-ZE0-010	BOLT, PIVOT, 8MM	2	
017	90206-ZE1-000	NUT, PIVOT ADJUSTING	2	