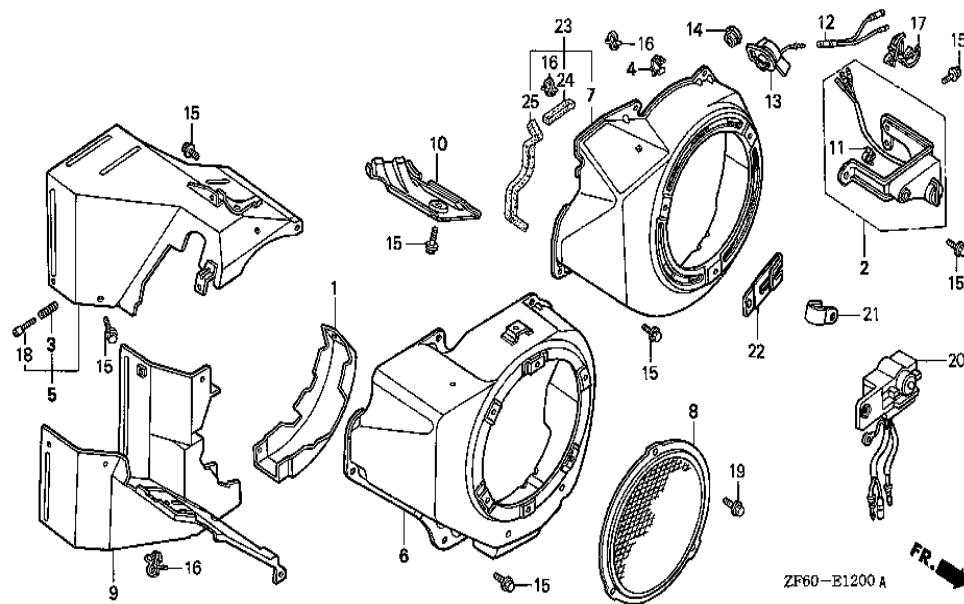
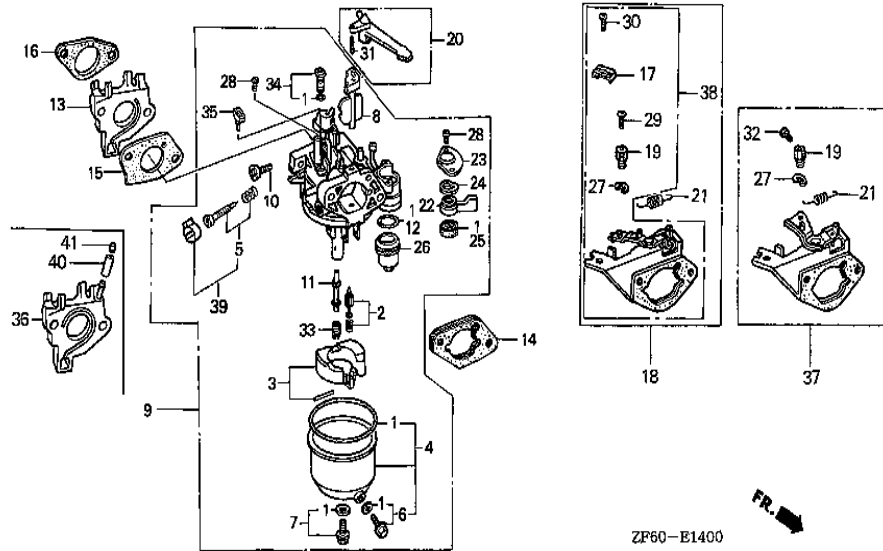


Ref	Partnumber	Description	GX390K1	Serial Numbers
001	28400-ZE3-W01ZA	STARTER ASSY., RECOIL *R8*	1	
001	28400-ZE3-W01ZB	STARTER ASSY., RECOIL *NH1*	1	
002	28410-ZE3-W01ZA	CASE COMP., RECOIL STARTER*R8*	1	
002	28410-ZE3-W01ZB	CASE COMP., RECOIL STARTER*NH1*	1	
003	28421-ZE3-W01	PULLEY, RECOIL STARTER	1	
004	28422-ZE2-W01	RATCHET, STARTER	2	
005	28441-ZE2-W01	SPRING, FRICTION	1	
006	28442-ZE2-W01	SPRING, STARTER RETURN	1	
007	28443-ZE2-W01	SPRING, RATCHET	2	
008	28444-ZE2-W01	RETAINER, SPRING	1	
010	28461-ZE2-W02	GRIP, STARTER	1	
011	28462-ZE3-W01	ROPE, RECOIL STARTER	1	
012	28469-ZE2-W01	GRIP, REINFORCEMENT	1	2584635

013	90004-ZE2-W01	SCREW, CENTER	1
014	90008-ZE2-003	BOLT, FLANGE, 6X10	3

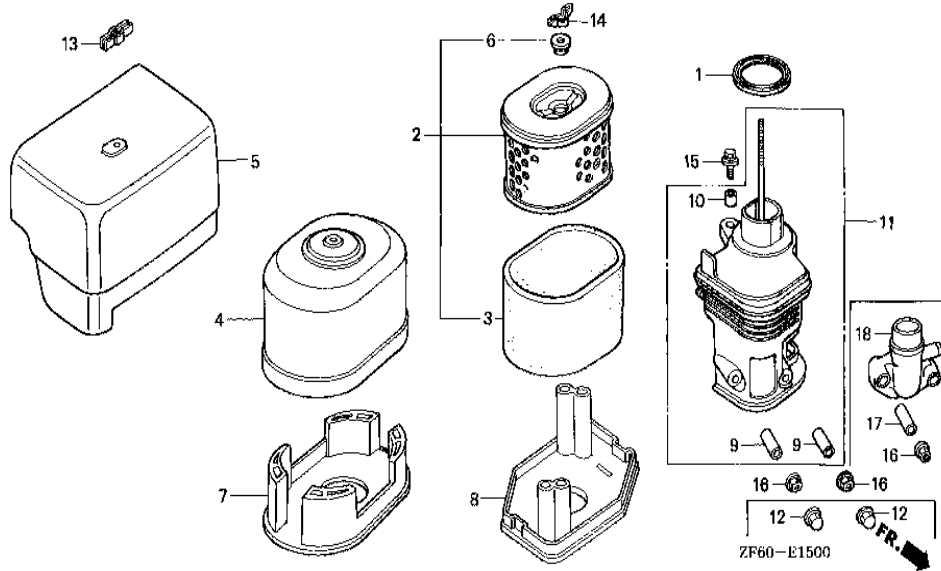


Ref	Partnumber	Description	GX390K1	Serial Numbers
002	15520-ZE2-003	ALERT UNIT, OIL	1	2042138
004	16731-ZE2-003	CLIP, TUBE	1	
007	19610-ZE3-000ZA	COVER COMP., FAN *R8*	1	2055496
007	19610-ZE3-010ZA	COVER COMP., FAN *R8*	1	2055497
010	19631-ZE3-W00	SHROUD	1	
011	30701-883-000	CLIP, HIGH TENSION CORD (8MM)	1	2042138
012	32197-ZH8-003	SUB HARNESS	1	2042139 2334667
013	36100-ZE1-015	SWITCH ASSY., ENGINE STOP	1	2042139 2334667
013	36100-ZH7-003	SWITCH ASSY., ENGINE STOP	1	2334668
014	81329-567-020	GROMMET, DRAIN HOLE	1	2042138
015	90013-883-000	BOLT, FLANGE, 6X12 (CT200)	8	2042138
015	90013-883-000	BOLT, FLANGE, 6X12 (CT200)	6	2042139
017	90684-ZA0-601	CLIP, HARNESS	1	



Ref	Partnumber	Description	GX390K1	Serial Numbers
001	16010-ZE2-812	GASKET SET(INCLUDE 16173-001-004)	1	
002	16011-ZA0-931	VALVE SET, FLOAT	1	
003	16013-ZA0-931	FLOAT SET	1	
004	16015-ZE2-005	CHAMBER SET, FLOAT	1	BE48B A
004	16015-ZE8-005	CHAMBER SET, FLOAT	1	BE48B B
005	16016-ZE0-005	SCREW SET, PILOT	1	BE48B B
006	16024-ZE1-811	SCREW SET, DRAIN	1	
007	16028-ZE0-005	SCREW SET	1	
008	16044-ZE3-W20	CHOKE SET	1	
009	16100-ZF6-V01	CARBURETOR ASSY. (BE85B B)	1	2658575
009	16100-ZF6-W30	CARBURETOR ASSY. (BE48B A)	1	2254363
009	16100-ZF6-W31	CARBURETOR ASSY. (BE48B B)	1	2254364 2658574
010	16124-ZE0-005	SCREW, THROTTLE STOP	1	

011	16166-ZF6-V00	NOZZLE, MAIN	1	BE85C B	
011	16166-ZF6-W20	NOZZLE, MAIN	1		BE49A B
012	16173-001-004	PACKING, FUEL STRAINER CUP	1		
013	16211-ZF6-000	INSULATOR, CARBURETOR	1		
014	16220-ZA0-702	SPACER COMP., CARBURETOR	1		
015	16221-ZF6-800	PACKING, CARBURETOR	1		
016	16223-ZE3-W00	PACKING, INSULATOR	1		
020	16610-ZE1-000	LEVER COMP., CHOKE (STD.)	1		
022	16953-ZE1-811	LEVER, COCK	1		BE48B A
022	16953-ZE1-812	LEVER, COCK	1	BE48B B	
023	16954-ZE1-811	PLATE, LEVER SETTING	1		BE48B A
023	16954-ZE1-812	PLATE, LEVER SETTING	1	BE48B B	
024	16956-ZE1-811	SPRING, COCK LEVER	1		
025	16957-ZE1-812	PACKING, FUEL COCK	1		
026	16967-ZE0-811	CUP, FUEL STRAINER	1		
028	93500-030061H	SCREW, PAN, 3X6	2	BE85C B	
028	93500-030081G	SCREW, PAN, 3X8	3		BE48B A
031	94305-20122-	PIN, SPRING, 2X12	1		
033	99101-ZH8-0880	JET, MAIN, #88	(1)	BE85B B	
033	99101-ZH8-0900	JET, MAIN, #90	(1)	BE85B B	
033	99101-ZH8-0920	JET, MAIN, #92	1	BE85B B	
033	99101-ZH8-1000	JET, MAIN, #100	(1)		BE48B B
033	99101-ZH8-1020	JET, MAIN, #102	(1)		BE48B B
033	99101-ZH8-1050	JET, MAIN, #105	1		BE48B B
034	99204-ZA0-0400	JET SET, PILOT, #40	1	BE48B B	BE48B B
034	99204-ZA0-0450	JET SET, PILOT, #45	1	BE85B B	
034	99204-ZE0-0400	JET SET, PILOT, #40	1		BE48B A
035	16172-ZE3-W10	COLLAR, SETTING	1	BE85B B	
039	16016-ZH7-W01	SCREW SET, PILOT	1	BE85B B	



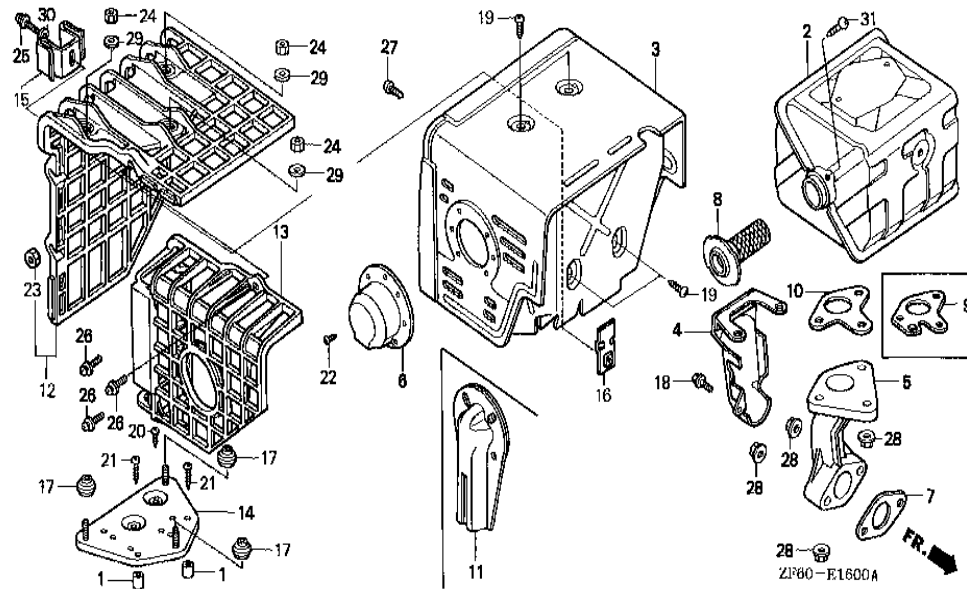
Ref	Partnumber	Description	GX390K1	Serial Numbers
001	16271-ZE2-000	PACKING, ELBOW	1	
002	17210-ZE3-010	ELEMENT, AIR CLEANER	1	
003	17218-ZE3-000	FILTER, OUTER	1	
005	17231-ZE3-W01	COVER, AIR CLEANER	1	
006	17232-891-000	GROMMET, AIR CLEANER	1	
008	17235-ZH9-N00	NOSE, SILENCER	1	
009	17238-ZE2-310	COLLAR, AIR CLEANER	2	
010	17239-ZE1-000	COLLAR B, AIR CLEANER	1	
011	17410-ZH9-N00	ELBOW COMP., AIR CLEANER	1	
012	90201-415-000	NUT, CAP, 6MM	2	
013	90203-PB2-000	NUT, AIR CLEANER COVER(DACRO COATING)	1	2042138
013	90203-ZA0-800	NUT, WING, 6MM (BLACK)	1	2042139
014	90325-044-000	NUT, TOOL BOX SETTING	1	

015

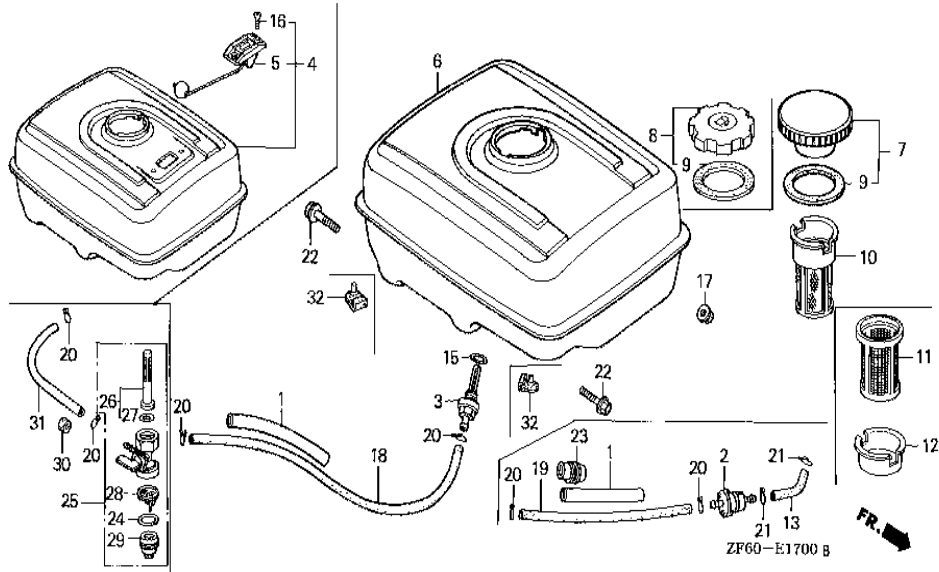
93494-0602008

BOLT-WASHER, 6X20

1



Ref	Partnumber	Description	GX390K1	Serial Numbers
002	18310-ZE2-W61	MUFFLER COMP. (100DB)	1	
003	18320-ZE2-W60	PROTECTOR COMP., MUFFLER	1	2146173
003	18320-ZE2-W61	PROTECTOR COMP., MUFFLER	1	2146174
005	18330-ZE2-W00	PIPE, EX.	1	
007	18333-ZE3-800	GASKET, EX. PIPE	1	2275744
007	18333-ZF6-W01	GASKET, EX. PIPE	1	2638034
007	18333-ZK6-Y00	GASKET, EX. PIPE	1	2275745
010	18381-ZE2-800	GASKET, MUFFLER	1	2638033
019	90050-ZE1-000	SCREW, TAPPING, 5X8	4	
027	90006-ZE2-000	SCREW, TAPPING, 6X10	1	2059347
027	93901-360J0-	SCREW, TAPPING, 6X10	1	2059346
028	94050-08000-	NUT, FLANGE, 8MM	5	
031	90050-ZE1-000	SCREW, TAPPING, 5X8	1	



Ref	Partnumber	Description	GX390K1	Serial Numbers
001	16854-ZE1-000	RUBBER, SUPPORTER (107MM)	1	2017198
001	16854-ZH8-000	RUBBER, SUPPORTER (107MM)	1	2017199
003	16955-ZE1-000	JOINT, FUEL TANK	1	
006	17510-ZE3-010ZA	TANK COMP., FUEL *NH31*	1	
007	17620-ZE2-W00	CAP COMP., FUEL FILLER(CHROME PLATED)	1	2121083
008	17620-ZH7-013	CAP COMP., FUEL FILLER	1	2121084
008	17620-ZH7-023	CAP COMP., FUEL FILLER(BLACK)	1	2336192
009	17631-329-003	PACKING, FUEL FILLER CAP(39X58X3)	1	2121083
009	17631-ZH7-003	PACKING, FUEL FILLER CAP(39X58X3)	1	2121084
015	91353-671-004	O-RING, 14MM (NOK)	1	
017	94050-08000-	NUT, FLANGE, 8MM	2	
018	95001-4523540	TUBE, FUEL, 4.5X235(95001-45001-60M)	1	
020	95002-02080-	CLIP, TUBE (B8)	2	

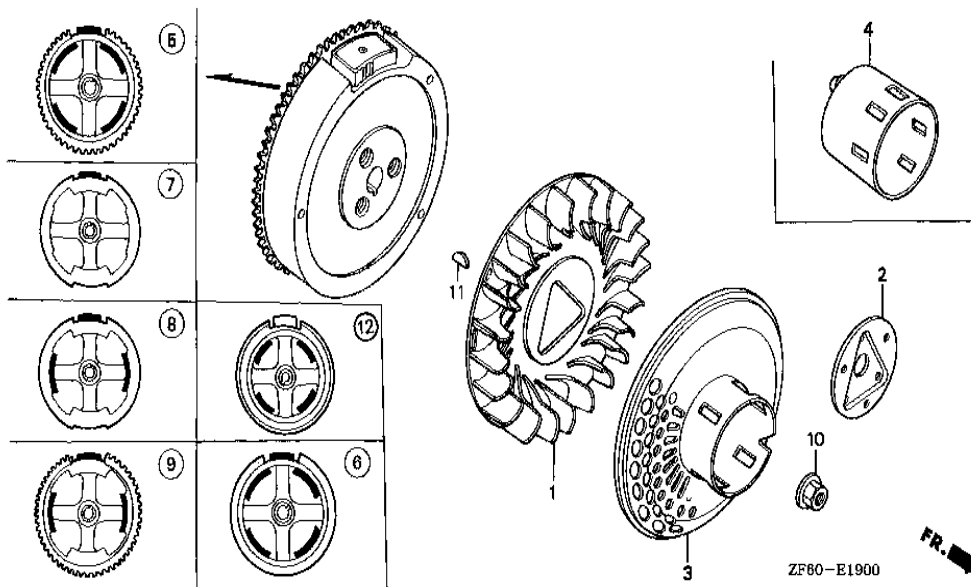
022

95900-0802500

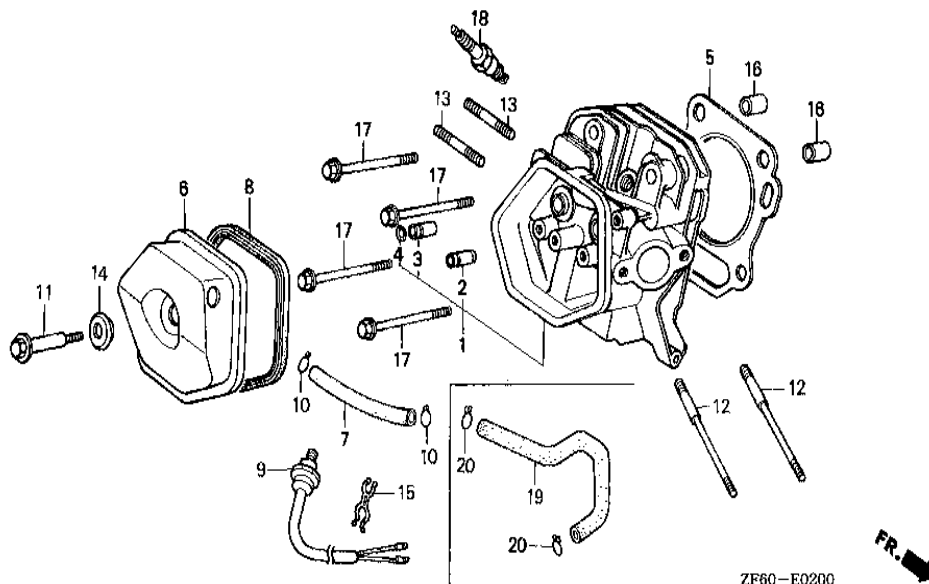
BOLT, FLANGE, 8X25

2

GX390K1(QX)	E-19 FLYWHEEL (1)
-------------	-------------------

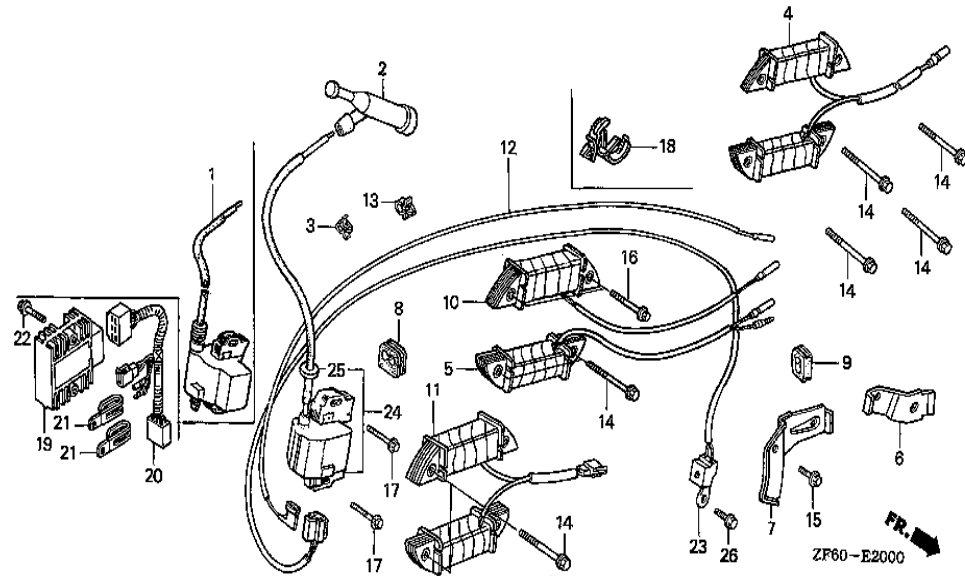


Ref	Partnumber	Description	GX390K1	Serial Numbers
001	19511-ZE3-000	FAN, COOLING	1	
003	28450-ZE3-W11	PULLEY COMP., STARTER(SCREEN GRID)	1	
007	31100-ZE3-701	FLYWHEEL COMP.	1	
010	90201-ZE3-790	NUT, SPECIAL, 16MM	1	2263434
010	90201-ZE3-V00	NUT, SPECIAL, 16MM	1	2263435
011	90741-ZE2-000	KEY, SPECIAL WOODRUFF, 25X18	1	

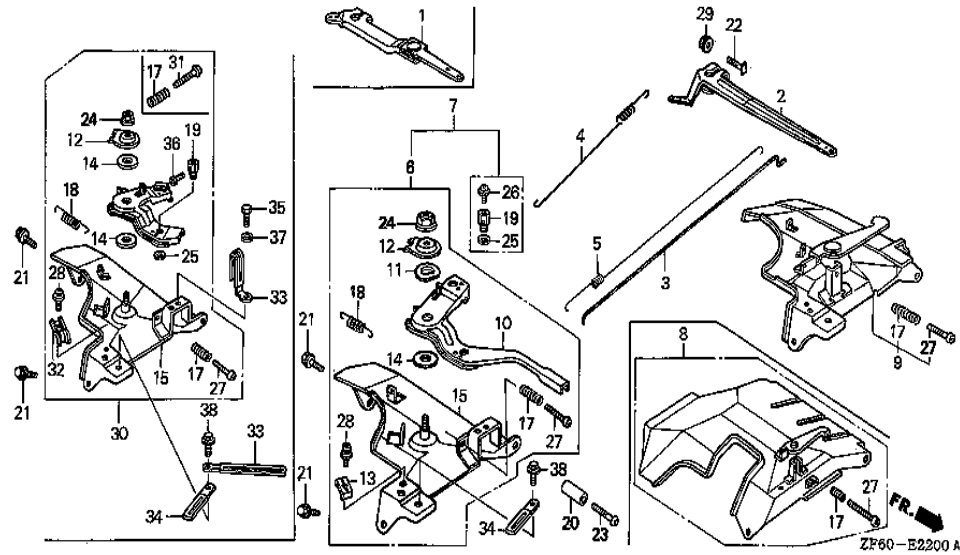


Ref	Partnumber	Description	GX390K1	Serial Numbers
001	12200-ZF6-W01	HEAD COMP., CYLINDER	1	
002	12204-ZE2-306	GUIDE, IN. VALVE (O.S.)	(1)	2037230
002	12204-ZE2-315	GUIDE, IN. VALVE (OS)	(1)	2037229
003	12205-ZE2-305	GUIDE, EX. VALVE (O.S.)	(1)	
004	12216-ZE2-300	CLIP, VALVE GUIDE	1	
005	12251-ZF6-W00	GASKET, CYLINDER HEAD	1	
006	12310-ZE2-010	COVER COMP., HEAD	1	2057295
006	12310-ZE2-020	COVER COMP., HEAD	1	2057296
007	95005-1110530	TUBE, 11X105(95005-11001-30M)	1	
008	12391-ZE2-020	PACKING, HEAD COVER	1	
011	90014-ZE2-000	BOLT, HEAD COVER	1	
012	90042-ZE8-000	BOLT, STUD, 8X131.5	2	
013	90047-ZE2-000	BOLT, STUD, 8X47	2	2638033

013	92900-080320E	BOLT, STUD, 8X32	2	2638034
014	90441-ZE2-010	WASHER COMP., HEAD COVER	1	
016	94301-12200-	DOWEL PIN, 12X20	2	
017	95725-1008000	BOLT, FLANGE, 10X80	4	
018	98079-55846-	PLUG, SPARK (BPR5ES) (NGK)	(1)	
018	98079-55855-	PLUG, SPARK (W16EPR-U) (DENSO)	(1)	
018	98079-56846-	PLUG, SPARK (BPR6ES) (NGK)	1	
018	98079-56855-	PLUG, SPARK (W20EPR-U) (DENSO)	1	

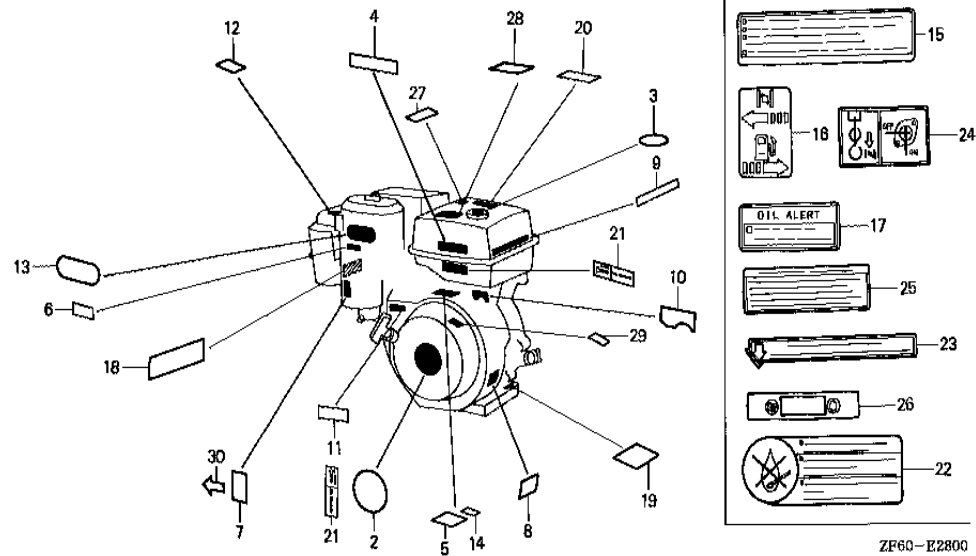


Ref	Partnumber	Description	GX390K1	Serial Numbers
001	30500-ZE2-013	COIL ASSY., IGNITION	1	2108412
001	30500-ZF6-W02	COIL ASSY., IGNITION	1	
002	30700-ZE1-013	CAP ASSY., NOISE SUPPRESSOR(NICHIWA Y-EZ	1	
003	30701-883-000	CLIP, HIGH TENSION CORD (8MM)	1	
008	31512-ZE2-000	GROMMET, CORD	1	
012	36101-ZE2-701	CORD, STOP SWITCH (430MM)	1	
017	90015-883-000	BOLT, FLANGE, 6X28	2	

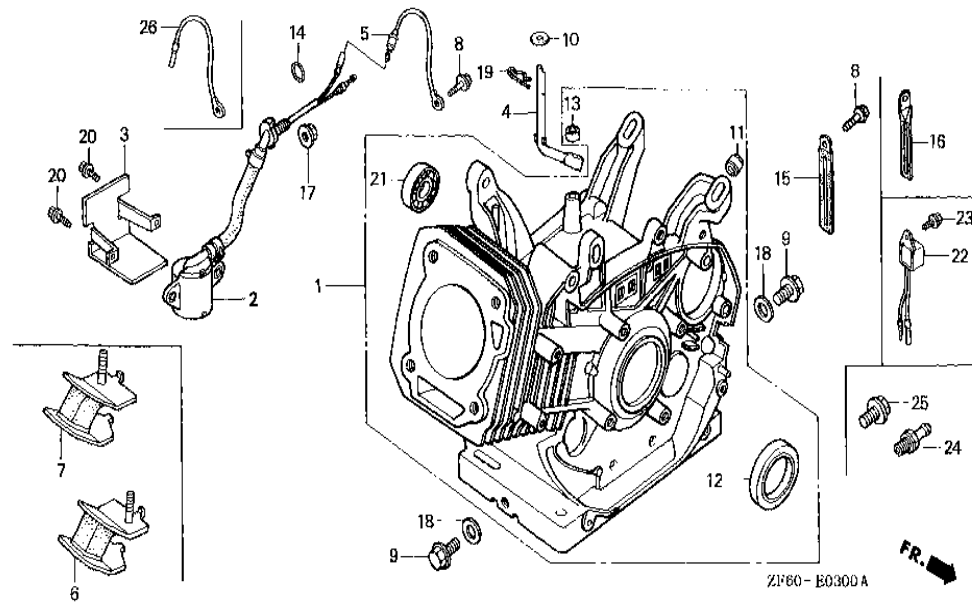


Ref	Partnumber	Description	GX390K1	Serial Numbers
002	16551-ZE3-000	ARM, GOVERNOR	1	
003	16555-ZE3-000	ROD, GOVERNOR	1	
004	16561-ZE3-000	SPRING, GOVERNOR	1	
005	16562-ZE3-000	SPRING, THROTTLE RETURN	1	
006	16570-ZE3-W20	CONTROL ASSY. (REMOTE)	1	
010	16571-ZE3-W00	LEVER, CONTROL	1	
011	16574-ZE1-000	SPRING, LEVER	1	
012	16575-ZE2-W00	WASHER, CONTROL LEVER	1	
013	16576-891-000	HOLDER, CABLE	1	
014	16578-ZE1-000	SPACER, CONTROL LEVER	1	
015	16581-ZE3-W00	BASE COMP., CONTROL (###)	1	
017	16584-883-300	SPRING, CONTROL ADJUSTING	1	
018	16592-883-310	SPRING, CABLE RETURN	1	

021	90013-883-000	BOLT, FLANGE, 6X12 (CT200)	2		
022	90015-ZE5-010	BOLT, GOVERNOR ARM	1		
024	90114-SA0-000	NUT, SELF-LOCK, 6MM	1		
027	93500-050320A	SCREW, PAN, 5X32	1		
028	93500-050160A	SCREW, PAN, 5X16	1	2066750	
028	93893-0501600	SCREW-WASHER, 5X16	1		2066749
029	94050-06000-	NUT, FLANGE, 6MM	1		

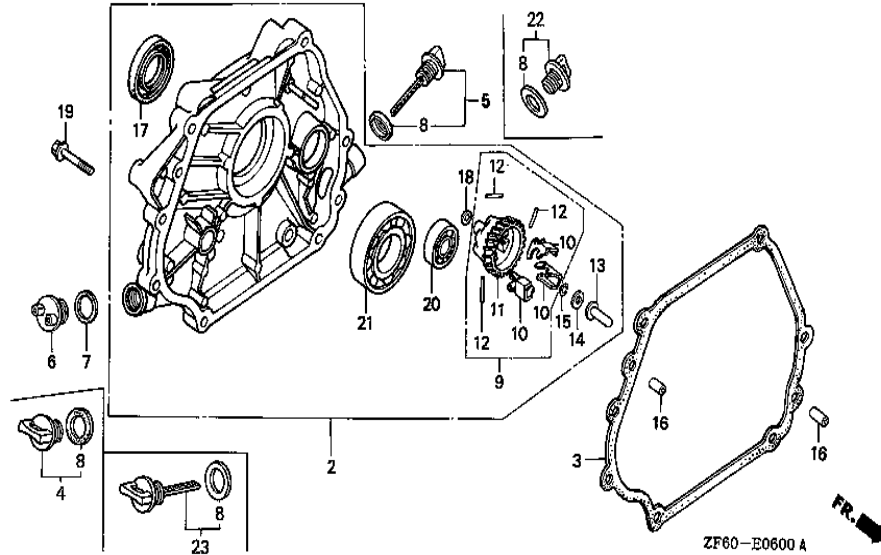


Ref	Partnumber	Description	GX390K1	Serial Numbers
002	87521-ZF6-W01	EMBLEM	1	3249629
002	87521-ZF6-W02	EMBLEM (GX390 HONDA 13.0)	1	3249630
003	87522-ZE1-810	MARK, CAUTION	1	2121083
004	87522-ZH9-010	LABEL, CAUTION (ENGLISH, ETC.)	1	
007	87528-ZE2-810	MARK, CHOKE (ORANGE)	1	
008	87530-ZF6-W10	LABEL, SPECIFICATION	1	
009	87532-ZB4-G60	MARK, OIL ALERT (GERMAN)	1	2069381
009	87532-ZB4-H50	MARK, OIL ALERT (FRENCH)	1	2069381
009	87532-ZH8-810	MARK, OIL ALERT (EXTERNAL)	1	2042139
010	87532-ZE1-810	MARK, OIL ALERT (EXTERNAL)	1	2042138
021	87135-ZE2-010	LABEL, E-SPEC (EPA STANDARD)(15.5X60.0)	1	3076234



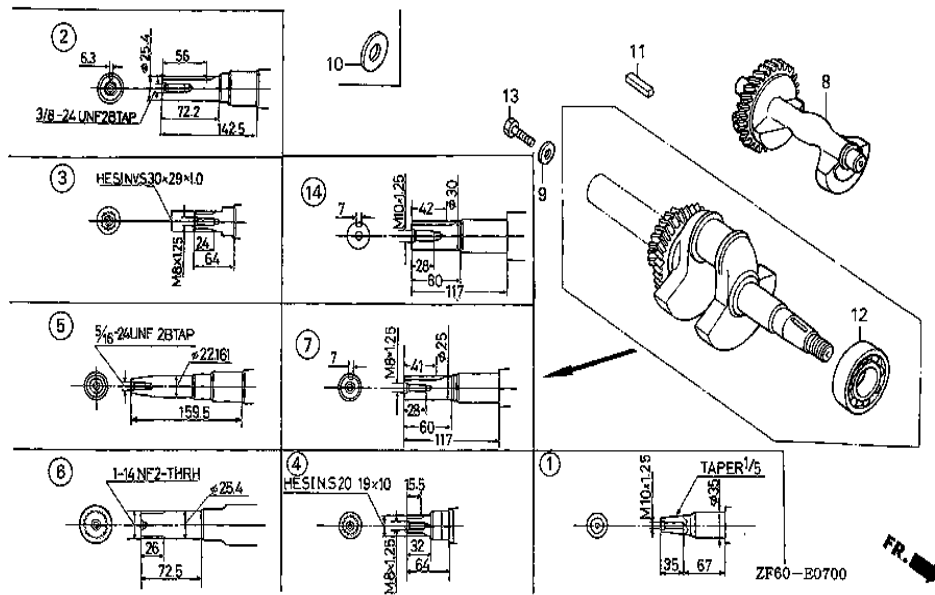
Ref	Partnumber	Description	GX390K1	Serial Numbers
001	12000-ZF6-W12	BARREL ASSY., CYLINDER (ALERT)	1	2086419 3070124
001	12000-ZF6-W13	BARREL ASSY., CYLINDER (ALERT)	1	3070125
001	120A0-ZF6-W10	BARREL ASSY., CYLINDER (ALERT)	1	2042138
001	120A0-ZF6-W11	BARREL ASSY., CYLINDER (ALERT)	1	2042139 2086418
002	15510-ZE2-013	SWITCH ASSY., OIL LEVEL	1	2042138
002	15510-ZE2-023	SWITCH ASSY., OIL LEVEL	1	2042139 2334667
002	15510-ZE2-033	SWITCH ASSY., OIL LEVEL	1	2334668 2456575
002	15510-ZE2-043	SWITCH ASSY., OIL LEVEL	1	2456576
004	16541-ZE3-000	SHAFT, GOVERNOR ARM	1	2164704
004	16541-ZE3-010	SHAFT, GOVERNOR ARM	1	2164705
005	32197-ZE2-003	SUB HARNESS	1	2042139 2334667
008	90013-883-000	BOLT, FLANGE, 6X12 (CT200)	1	2042139 2334667
009	90131-883-000	BOLT, DRAIN PLUG, 12X15	2	

010	90446-KE1-000	WASHER, 8.2X17X0.8	1		
012	91201-ZE3-004	OIL SEAL, 35X52X8	1		
013	91203-952-771	OIL SEAL, 8X14X5	1		
014	91353-671-004	O-RING, 14MM (NOK)	1		
017	94050-10000-	NUT, FLANGE, 10MM	1		
018	94109-12000-	WASHER, DRAIN PLUG, 12MM	2		
019	94251-08000-	PIN, LOCK, 8MM	1		2164704
019	94251-10000-	PIN, LOCK, 10MM	1	2164705	
020	95701-0601200	BOLT, FLANGE, 6X12	2		
021	96100-6202000	BEARING, RADIAL BALL, 6202	1		

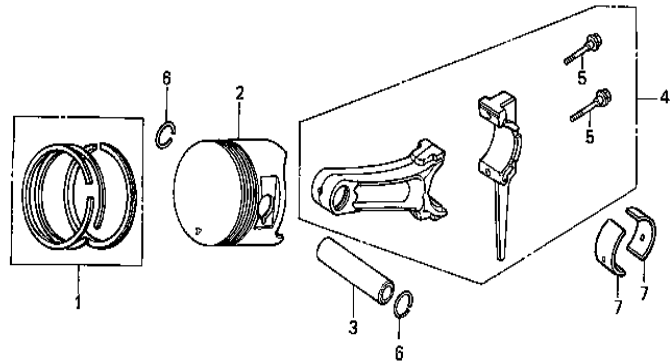


Ref	Partnumber	Description	GX390K1	Serial Numbers
002	11300-ZE3-602	COVER ASSY., CRANKCASE	1	3287256
002	11300-ZE3-604	COVER ASSY., CRANKCASE	1	3287257
003	11381-ZE3-800	PACKING, CASE COVER	1	2949254
003	11381-ZE3-801	PACKING, CASE COVER	1	2949255
004	15600-ZG4-003	CAP ASSY., OIL FILLER	1	2090081
005	15600-735-003	CAP ASSY., OIL FILLER	1	2090081
005	15600-735-700	CAP ASSY., OIL FILLER	1	2090080
006	15620-ZG4-910	CAP, OIL FILLER	1	2090080
007	15621-896-010	PACKING, OIL FILLER CAP	1	2090080
008	15625-ZE1-000	PACKING, OIL FILLER CAP	1	2090080
008	15625-ZE1-003	PACKING, OIL FILLER CAP	2	2090081
009	16510-ZE3-000	GOVERNOR ASSY.	1	
010	16511-ZE8-000	WEIGHT, GOVERNOR	3	

011	16512-ZE3-000	HOLDER, GOVERNOR WEIGHT	1		
012	16513-ZE2-000	PIN, GOVERNOR WEIGHT	3		
013	16531-Z0A-000	SLIDER, GOVERNOR	1	3287257	
013	16531-ZE2-000	SLIDER, GOVERNOR	1		3287256
014	90473-147-000	WASHER, 6X16	1		2080006
015	90602-ZE1-000	CLIP, GOVERNOR HOLDER	1		
016	90701-HC4-000	DOWEL PIN, 8X12	2		
017	91201-ZE3-004	OIL SEAL, 35X52X8	1		
018	94101-06800-	WASHER, PLAIN, 6MM	1		
019	95701-0804000	BOLT, FLANGE, 8X40	7		
020	96100-6202000	BEARING, RADIAL BALL, 6202	1		
021	96100-6207000	BEARING, RADIAL BALL, 6207	1		



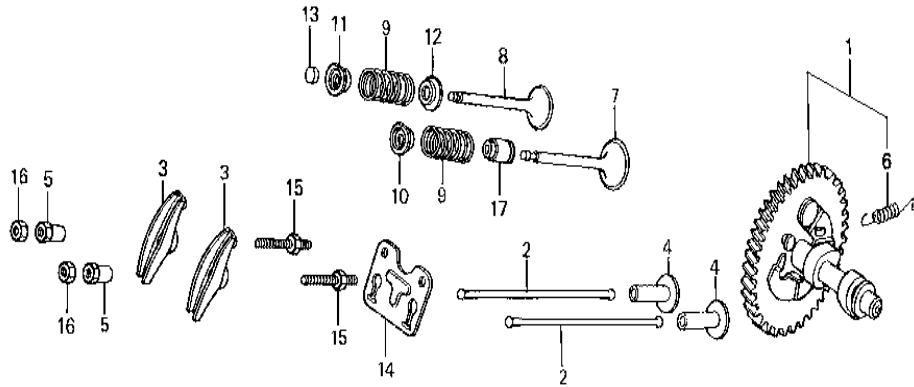
Ref	Partnumber	Description	GX390K1	Serial Numbers
002	13310-ZF6-W10	CRANKSHAFT COMP.	1	
008	13351-ZE3-010	WEIGHT, BALANCER	1	
011	90745-ZE2-600	KEY, 6.3X6.3X43	1	
012	91001-ZF6-003	BEARING, RADIAL BALL, 6207S	1	



ZF60-B0800

Ref	Partnumber	Description	GX390K1	Serial Numbers
001	13010-ZF6-003	RING SET, PISTON (STD.)(NIPPON)	1	
001	13010-ZF6-005	RING SET, PISTON (STD.)(TEIKOKU)	1	
001	13011-ZF6-003	RING SET, PISTON (0.25)(NIPPON)	(1)	
001	13011-ZF6-005	RING SET, PISTON (0.25)(TEIKOKU)	(1)	
001	13012-ZF6-003	RING SET, PISTON (0.50)(NIPPON)	(1)	
001	13012-ZF6-005	RING SET, PISTON (0.50)(TEIKOKU)	(1)	
001	13013-ZF6-003	RING SET, PISTON (0.75)(NIPPON)	(1)	
001	13013-ZF6-005	RING SET, PISTON (0.75)(TEIKOKU)	(1)	
002	13101-ZF6-W00	PISTON (STD.)	1	
002	13102-ZF6-W00	PISTON (0.25)	(1)	
002	13103-ZF6-W00	PISTON (0.50)	(1)	
002	13104-ZF6-W00	PISTON (0.75)	(1)	
003	13111-ZF6-W00	PIN, PISTON	1	

004	13200-ZE3-010	ROD ASSY., CONNECTING (STD.)	1	3177434
004	13200-ZE3-020	ROD ASSY., CONNECTING (STD.)	1	3177435
004	13200-ZE3-315	ROD ASSY., CONNECTING(0.25 UNDER SIZE)	(1)	
005	90001-ZE8-000	BOLT, CONNECTING ROD	2	
006	90601-ZE3-000	CLIP, PISTON PIN, 20MM	2	



ZF60-E0900

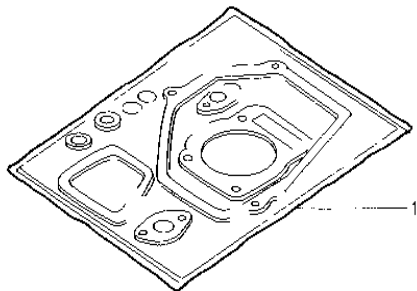


Ref	Partnumber	Description	GX390K1	Serial Numbers
001	14100-ZF6-W00	CAMSHAFT ASSY.	1	2391939
001	14100-ZF6-W01	CAMSHAFT ASSY.	1	2391940
002	14410-ZE3-013	ROD, PUSH	2	
003	14431-ZE2-010	ARM, VALVE ROCKER	2	
004	14441-ZE2-000	LIFTER, VALVE	2	
005	14451-ZE1-013	PIVOT, ROCKER ARM	2	
006	14568-ZE1-000	SPRING, WEIGHT RETURN	1	
007	14711-ZE3-000	VALVE, IN.	1	
008	14721-ZE3-000	VALVE, EX.	1	
009	14751-ZE2-003	SPRING, VALVE	2	
010	14771-ZE2-000	RETAINER, IN. VALVE SPRING	1	
011	14773-ZE2-000	RETAINER, EX. VALVE SPRING	1	
012	14775-ZE2-010	SEAT, VALVE SPRING	1	

013	14781-ZE2-000	ROTATOR, VALVE	1
014	14791-ZE2-010	PLATE, PUSH ROD GUIDE	1
015	90012-ZE0-010	BOLT, PIVOT, 8MM	2
016	90206-ZE1-000	NUT, PIVOT ADJUSTING	2

GX390K1(QX)

EOP-1 GASKET KIT



HENG-X0003

Ref	Partnumber	Description	GX390K1	Serial Numbers	
001	06111-ZF6-R80	GASKET KIT	1	2275745	2949254
001	06111-ZF6-R81	GASKET KIT	1	2949255	
001	061A1-ZF6-030	GASKET KIT	1		2275744