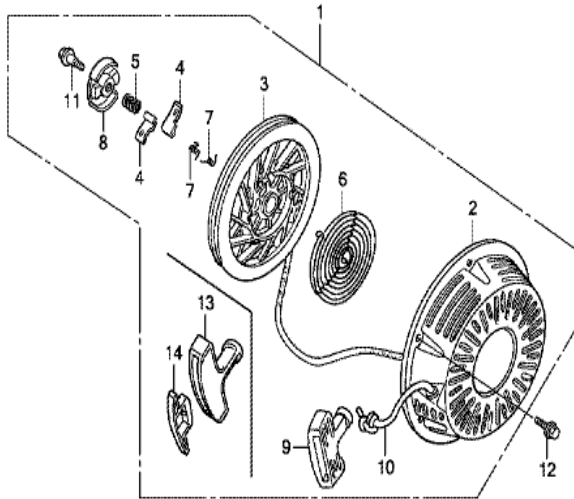


GX390UT1(QXCU)

E-11 RECOIL STARTER (1)

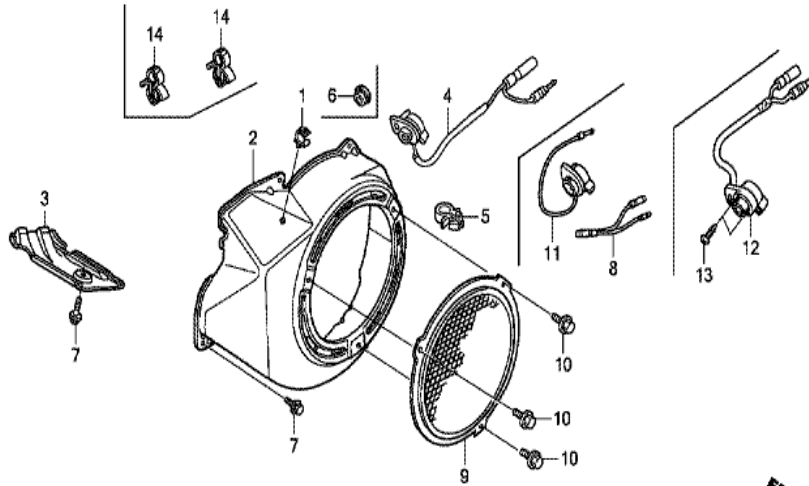


Z5T0E1100A

<u>Ref</u>	<u>Partnumber</u>	<u>Description</u>	<u>GX390UT1</u>	<u>Serial Numbers</u>
001	28400-ZE3-W02ZP	STARTER ASSY., RECOIL *R280*	1	
002	28410-ZE3-W01ZP	CASE COMP., RECOIL STARTER *R280 *	1	
003	28421-ZE3-W01	PULLEY, RECOIL STARTER	1	
004	28422-ZE2-W01	RATCHET, STARTER	2	
005	28441-ZE2-W01	SPRING, FRICTION	1	
006	28442-ZE2-W01	SPRING, STARTER RETURN	1	
007	28443-ZE2-W01	SPRING, RATCHET	2	
008	28444-ZE2-W01	RETAINER, SPRING	1	
009	28461-ZE2-W03	GRIP, STARTER	1	1018251
010	28462-ZE3-W01	ROPE, RECOIL STARTER	1	
011	90004-ZE2-W01	SCREW, CENTER	1	
012	90008-ZE2-003	BOLT, FLANGE, 6X10	3	

GX390UT1(QXCU)

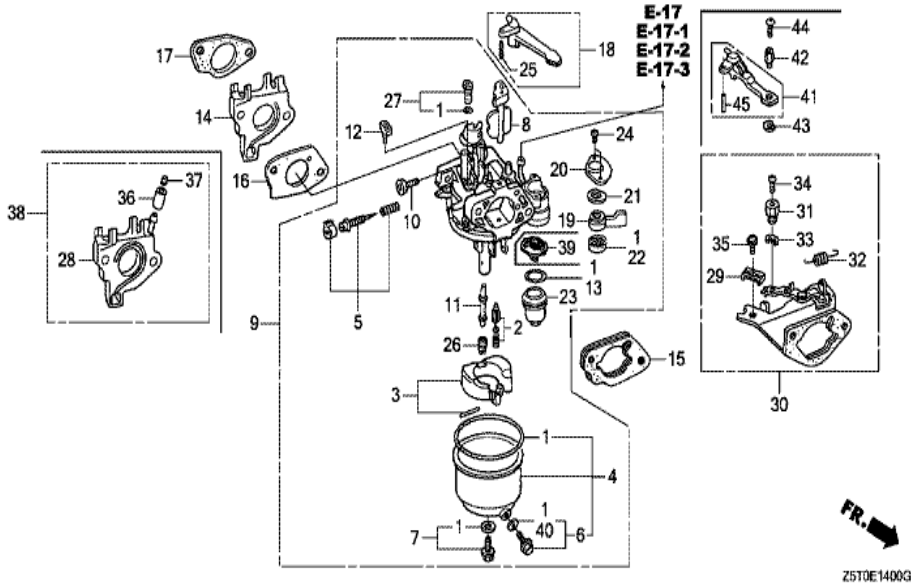
E-12 FAN COVER (1)



Z5T0E1200D

<u>Ref</u>	<u>Partnumber</u>	<u>Description</u>	<u>GX390UT1</u>	<u>Serial Numbers</u>
001	16731-ZE2-003	CLIP, TUBE	1	
002	19610-ZE3-010ZL	COVER COMP., FAN *R280 *	1	
003	19631-ZE3-W00	SHROUD	1	
004	36100-ZF6-P82	SWITCH ASSY., ENGINE STOP	1	
007	90013-883-000	BOLT, FLANGE, 6X12 (CT200)	6	

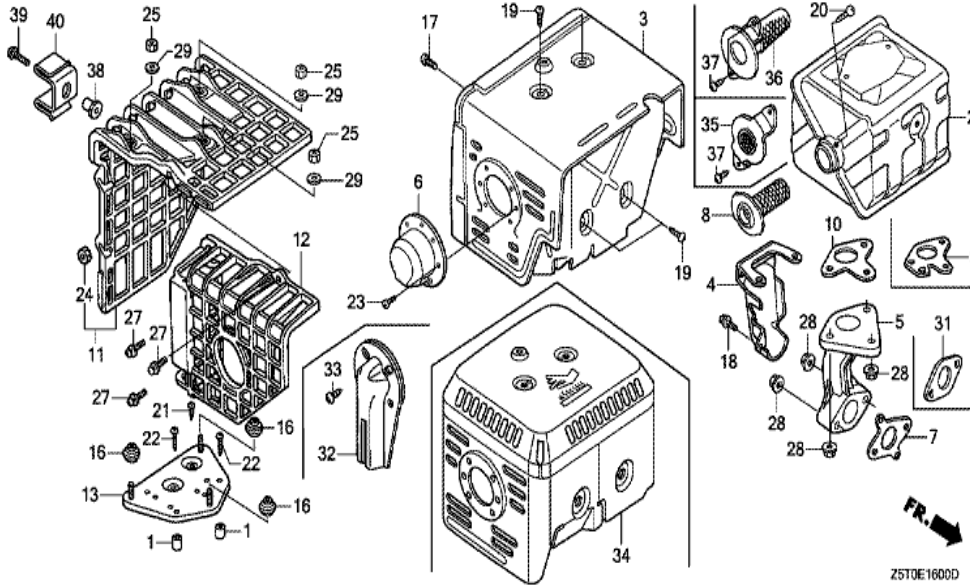
GX390UT1(QXCU)	E-14 CARBURETOR (1)
----------------	---------------------



<u>Ref</u>	<u>Partnumber</u>	<u>Description</u>	<u>GX390UT1</u>	<u>Serial Numbers</u>
001	16010-ZE2-812	GASKET SET	1	
002	16011-ZA0-931	VALVE SET, FLOAT	1	
003	16013-ZA0-931	FLOAT SET	1	
004	16015-ZE8-005	CHAMBER SET, FLOAT	1	
005	16016-ZH7-W01	SCREW SET, PILOT	1	
006	16024-ZE1-811	SCREW SET, DRAIN	1	
007	16028-ZE0-005	SCREW SET	1	
008	16044-ZE3-W20	CHOKE SET	1	
009	16100-ZF6-V21	CARBURETOR ASSY. (BE85C B)	1	
010	16124-ZE0-005	SCREW, THROTTLE STOP	1	
011	16166-ZF6-W10	NOZZLE, MAIN	1	
012	16172-ZE3-W10	COLLAR, SETTING	1	
013	16173-001-004	O-RING	1	
<u>Ref</u>	<u>Partnumber</u>	<u>Description</u>	<u>GX390UT1</u>	<u>Serial Numbers</u>
014	16211-ZF6-000	INSULATOR, CARBURETOR	1	
015	16220-ZA0-702	SPACER COMP., CARBURETOR	1	
016	16221-ZF6-800	PACKING, CARBURETOR	1	
017	16223-ZE3-W00	PACKING, INSULATOR	1	
018	16610-ZE1-000	LEVER COMP., CHOKE (STD.)	1	
019	16953-ZE1-812	LEVER, COCK	1	
020	16954-ZE1-812	PLATE, LEVER SETTING	1	
021	16956-ZE1-811	SPRING, COCK LEVER	1	
022	16957-ZE1-812	PACKING, FUEL COCK	1	
023	16967-ZE0-811	CUP, FUEL STRAINER	1	
024	93500-030061H	SCREW, PAN, 3X6	2	
025	94305-20122	PIN, SPRING, 2X12	1	
026	99101-ZH80950	JET, MAIN, #95	(1)	
026	99101-ZH80980	JET, MAIN, #98	(1)	BE88A A
026	99101-ZH81000	JET, MAIN, #100	1	
026	99101-ZH81000	JET, MAIN, #100	1	
027	99204-ZA00450	JET SET, PILOT, #45	1	

GX390UT1(QXCU)

E-16 MUFFLER (1)

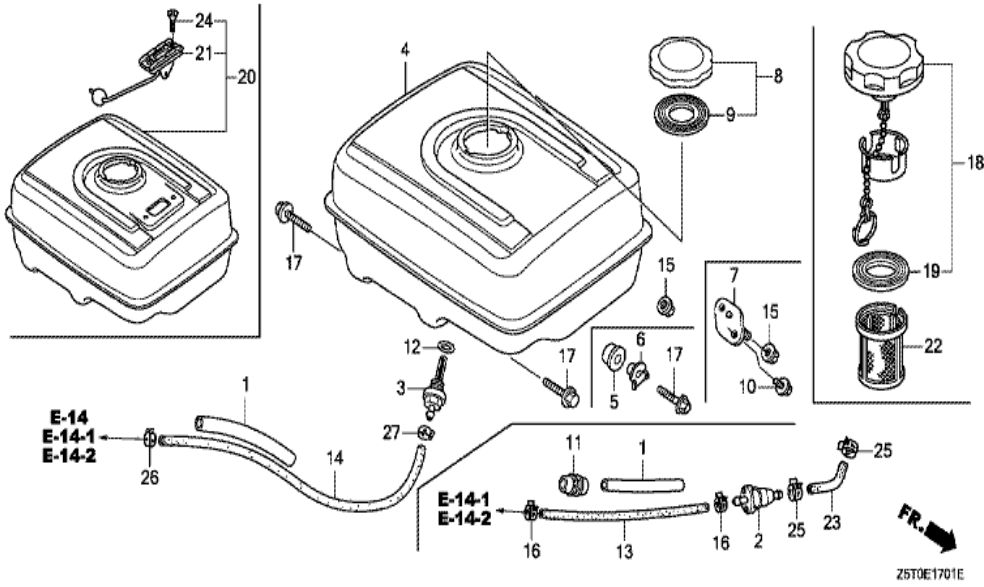


Z5T0E1600D

<u>Ref</u>	<u>Partnumber</u>	<u>Description</u>	<u>GX390UT1</u>	<u>Serial Numbers</u>
002	18310-ZE2-W61	MUFFLER COMP. (100DB)	1	
003	18320-ZE2-W62	PROTECTOR COMP., MUFFLER	1	
005	18330-ZE2-W00	PIPE, EX.	1	
007	18333-ZF6-W01	GASKET, EX. PIPE	1	
008	18355-ZE2-W00	ARRESTER, SPARK	(1)	
009	18381-ZE2-W10	GASKET, MUFFLER (ARRESTER) (NIPPON LEAKL	(1)	
010	18381-Z1C-801	GASKET, MUFFLER (THAI LEAKLESS)	1	
010	18381-ZE2-801	GASKET, MUFFLER (NIPPON LEAKLESS)	1	
017	90006-ZE2-000	SCREW, TAPPING, 6X10	1	
019	90050-ZE1-000	SCREW, TAPPING, 5X8	4	
020	90055-ZE1-000	SCREW, TAPPING, 4X6	(1)	
028	94050-08000	NUT, FLANGE, 8MM	5	

GX390UT1(QXCU)

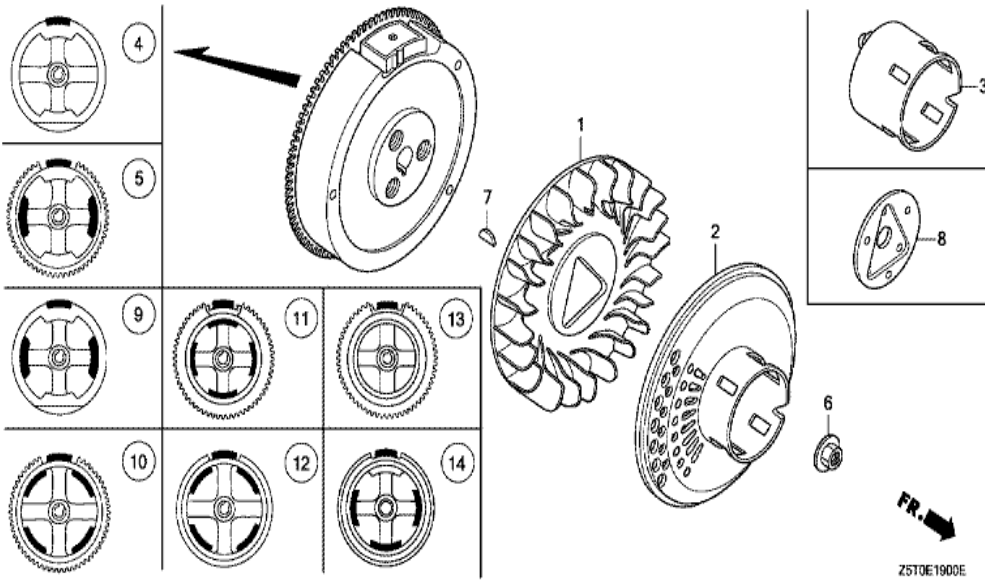
E-17-1 FUEL TANK (1)



Ref	Partnumber	Description	GX390UT1	Serial Numbers
001	16854-ZH8-000	RUBBER, SUPPORTER (107MM)	1	
003	16955-ZE1-010	JOINT, FUEL TANK	1	
012	91353-671-004	O-RING, 14MM (NOK)	1	
014	91424-Z5L-802	TUBE, FUEL, 4.5X235 (FKM)	1	
015	94050-08000	NUT, FLANGE, 8MM	2	
017	95701-0802500	BOLT, FLANGE, 8X25	2	
018	17620-Z4H-020	CAP COMP., FUEL FILLER	1	
019	17631-Z0T-801	PACKING, FUEL FILLER CAP (39X62X3) (RADI	1	
026	95002-4080008	CLAMP, TUBE (D8)	1	
027	95002-4080008	CLAMP, TUBE (D8)	1	

GX390UT1(QXCU)

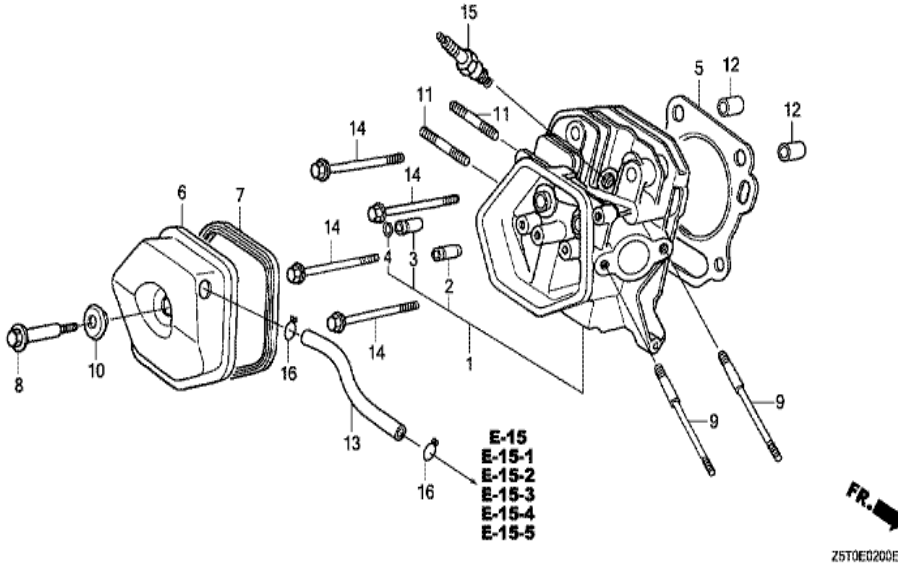
E-19 FLYWHEEL



<u>Ref</u>	<u>Partnumber</u>	<u>Description</u>	<u>GX390UT1</u>	<u>Serial Numbers</u>
001	19511-ZE3-000	FAN, COOLING	1	
002	28450-ZE3-W11	PULLEY COMP., STARTER (SCREEN GRID)	1	
004	31100-ZE3-701	FLYWHEEL COMP.	1	
006	90201-ZE3-790	NUT, SPECIAL, 16MM	1	
007	90741-ZE2-000	KEY, SPECIAL WOODRUFF, 25X18	1	

GX390UT1(QXCU)

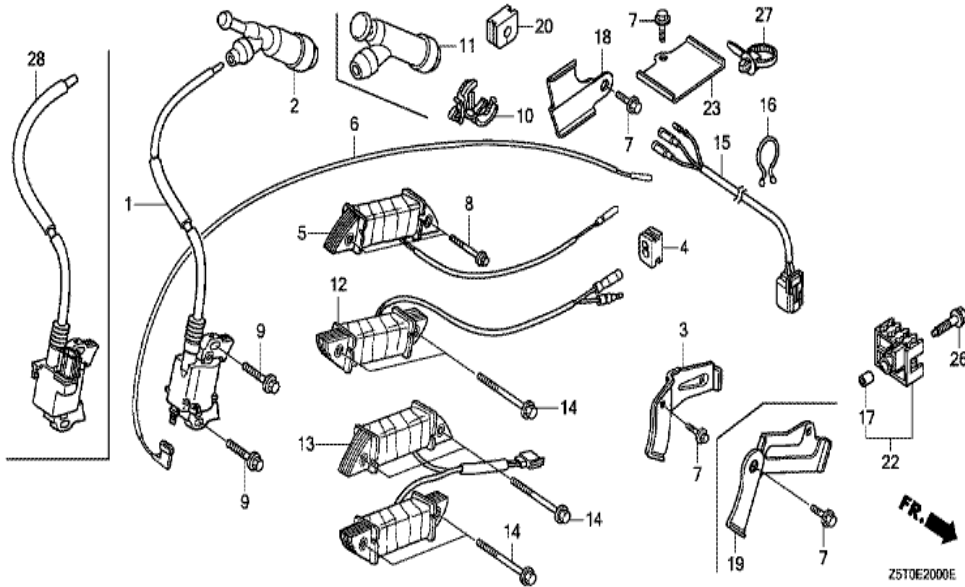
E-2 CYLINDER HEAD



<u>Ref</u>	<u>Partnumber</u>	<u>Description</u>	<u>GX390UT1</u>	<u>Serial Numbers</u>
001	12200-Z1C-406	HEAD COMP., CYLINDER	1	
002	12204-ZE2-306	GUIDE, IN. VALVE (O.S.)	1	
003	12205-ZE2-305	GUIDE, EX. VALVE (O.S.)	1	
004	12216-ZE2-300	CLIP, VALVE GUIDE	1	
005	12251-Z1C-801	GASKET, CYLINDER HEAD (THAI LEAKLESS)	1	
006	12310-ZE3-791	COVER COMP., HEAD (BREATHER TUBE JOINT)	1	
007	12391-ZE2-020	PACKING, HEAD COVER	1	
008	90014-ZE2-000	BOLT, HEAD COVER	1	
009	90042-ZE8-000	BOLT, STUD, 8X131.5	2	
010	90441-ZE2-010	WASHER COMP., HEAD COVER	1	
011	92900-080320E	BOLT, STUD, 8X32	2	
012	94301-12200	DOWEL PIN, 12X20	2	
013	12315-ZE3-840	TUBE, BREATHER	1	
<u>Ref</u>	<u>Partnumber</u>	<u>Description</u>	<u>GX390UT1</u>	<u>Serial Numbers</u>
014	95701-1008000	BOLT, FLANGE, 10X80	4	
015	98079-55876	PLUG, SPARK (BPR5ES) (NGK)	(1)	
015	98079-56876	PLUG, SPARK (BPR6ES) (NGK)	1	
016	17316-611-000	CLIP, BREATHER TUBE	2	

GX390UT1(QXCU)

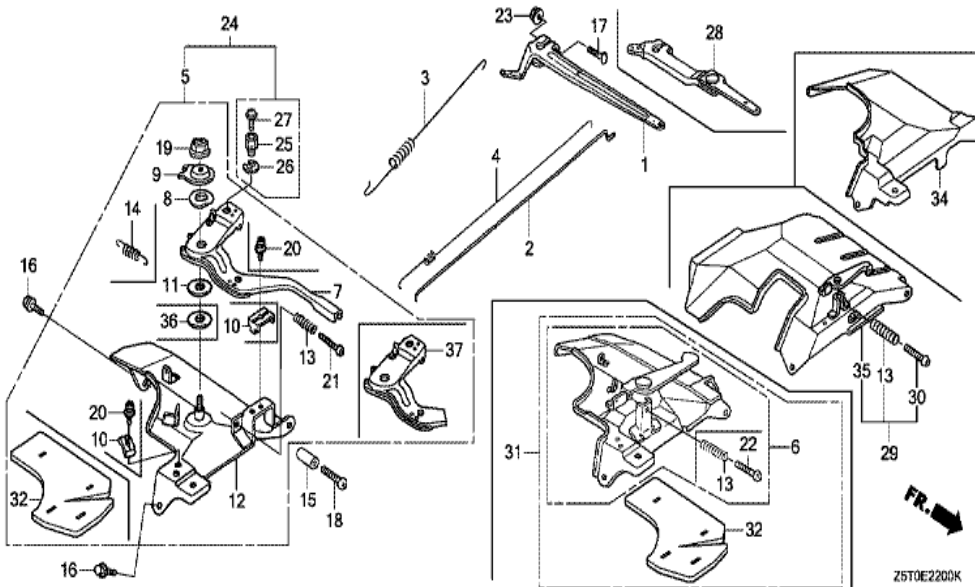
E-20 IGNITION COIL (1)



<u>Ref</u>	<u>Partnumber</u>	<u>Description</u>	<u>GX390UT1</u>	<u>Serial Numbers</u>
001	30500-Z1C-023	COIL ASSY., IGNITION	1	
002	30700-Z1C-811	CAP ASSY., NOISE SUPPRESSOR (NGK Y-EZD)	1	
004	31512-ZE2-000	GROMMET, CORD	1	
006	36101-ZE2-701	CORD, STOP SWITCH (430MM)	1	
009	90015-883-000	BOLT, FLANGE, 6X28 (CT200)	2	
010	90684-ZA0-601	CLIP, HARNESS	1	

GX390UT1(QXCU)

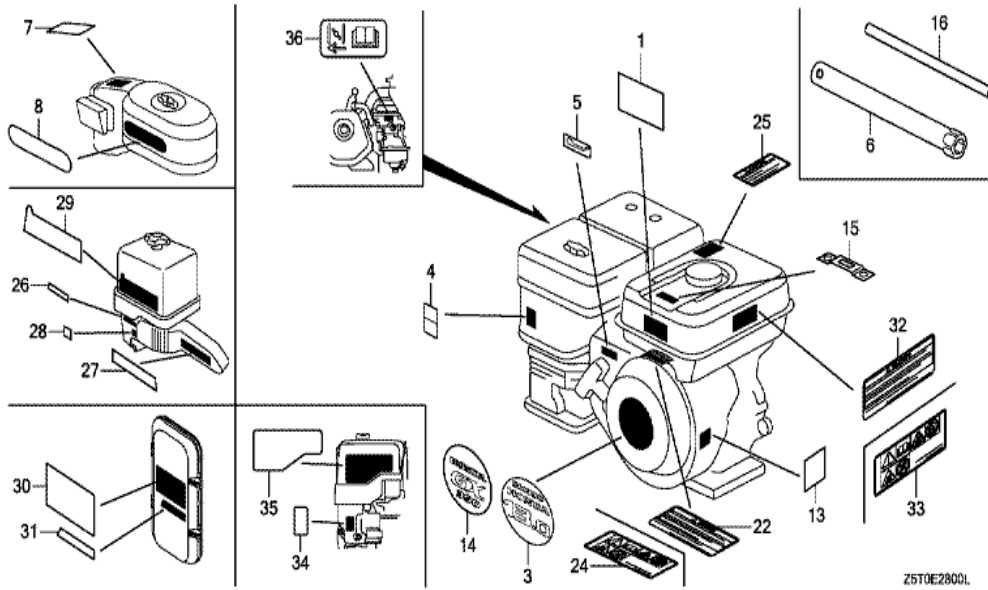
E-22 CONTROL



<u>Ref</u>	<u>Partnumber</u>	<u>Description</u>	<u>GX390UT1</u>	<u>Serial Numbers</u>
001	16551-ZE3-000	ARM, GOVERNOR	1	
002	16555-ZE3-000	ROD, GOVERNOR	1	
003	16561-ZE3-000	SPRING, GOVERNOR (L=137.5MM)	1	
004	16562-ZE3-000	SPRING, THROTTLE RETURN	1	
005	16570-ZE3-W20	CONTROL ASSY. (REMOTE)	1	
007	16571-ZE3-W00	LEVER, CONTROL	1	
008	16574-ZE1-000	SPRING, LEVER	1	
009	16575-ZE2-W00	WASHER, CONTROL LEVER	1	
010	16576-891-000	HOLDER, CABLE	1	
011	16578-ZE1-000	SPACER, CONTROL LEVER	1	
012	16581-ZE3-W00	BASE COMP., CONTROL (###)	1	
013	16584-883-300	SPRING, CONTROL ADJUSTING	1	
014	16592-883-310	SPRING, CABLE RETURN	1	
<u>Ref</u>	<u>Partnumber</u>	<u>Description</u>	<u>GX390UT1</u>	<u>Serial Numbers</u>
016	90013-883-000	BOLT, FLANGE, 6X12 (CT200)	2	
017	90015-ZE5-010	BOLT, GOVERNOR ARM	1	
019	90114-SA0-000	NUT, SELF-LOCK, 6MM	1	
019	90202-Z1T-000	NUT, SELF-LOCK, 6MM	1	
020	93500-050160A	SCREW, PAN, 5X16	1	
021	93500-050320A	SCREW, PAN, 5X32	1	
023	94050-06000	NUT, FLANGE, 6MM	1	

GX390UT1(QXCU)

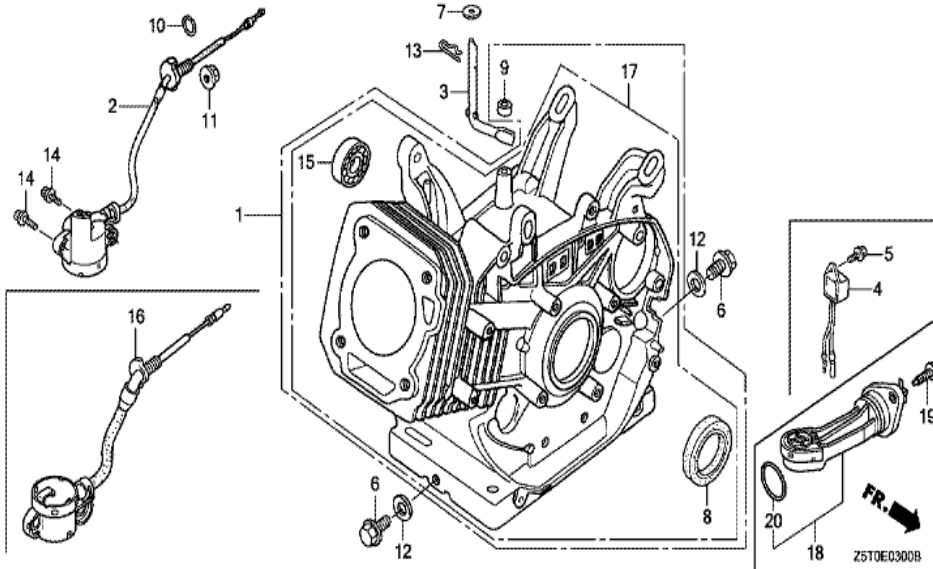
E-28 LABEL



<u>Ref</u>	<u>Partnumber</u>	<u>Description</u>	<u>GX390UT1</u>	<u>Serial Numbers</u>
001	87519-Z4H-000	MARK, OPERATOR CAUTION (PICTOGRAPH)	1	
004	87528-ZH7-000	MARK, CHOKE (GRAY)	1	
005	87532-ZH7-000	MARK, THROTTLE INDICATION	1	
007	87534-ZE1-841	LABEL, AIR CLEANER CAUTION	1	
008	87535-ZE1-841	MARK, AIR CLEANER SALES POINT	1	
014	87521-ZF6-W04	EMBLEM (HONDA GX390)	1	

GX390UT1(QXCU)

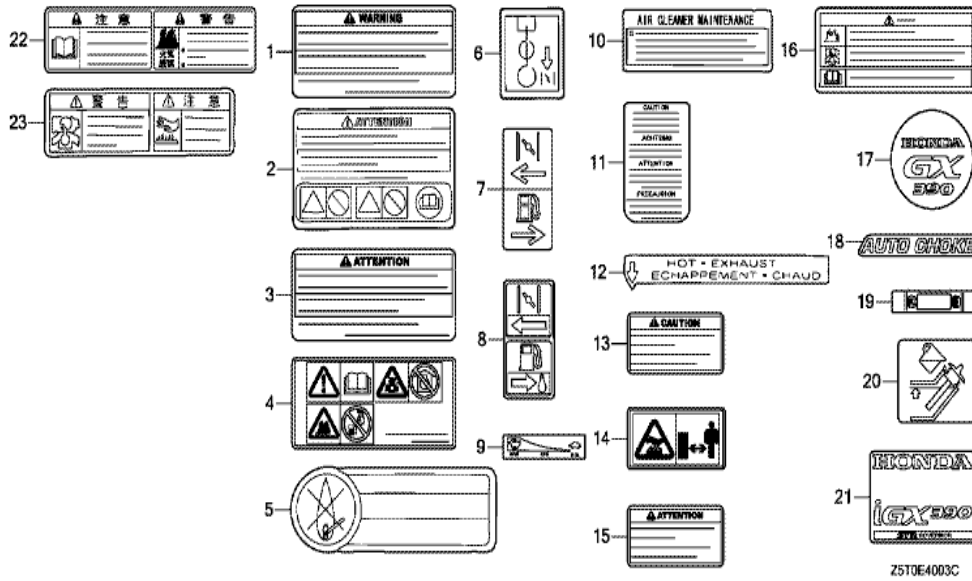
E-3 CYLINDER BARREL



<u>Ref</u>	<u>Partnumber</u>	<u>Description</u>	<u>GX390UT1</u>	<u>Serial Numbers</u>
001	12000-Z1C-407	BARREL ASSY., CYLINDER (ALERT)	1	
003	16541-ZE3-010	SHAFT, GOVERNOR ARM	1	
004	34150-ZH7-013	ALERT UNIT, OIL	1	
005	90013-883-000	BOLT, FLANGE, 6X12 (CT200)	1	
006	90131-883-000	BOLT, DRAIN PLUG, 12X15	2	
007	90446-KE1-000	WASHER, 8.2X17X0.8	1	
008	91201-Z1C-003	OIL SEAL, 35X52X8 (NOK)	1	
009	91203-952-771	OIL SEAL, 8X14X5	1	
010	91353-671-004	O-RING, 14MM (NOK)	1	
011	94050-10000	NUT, FLANGE, 10MM	1	
012	94109-12000	WASHER, DRAIN PLUG, 12MM	2	
013	94251-10000	PIN, LOCK, 10MM	1	
014	95701-0601200	BOLT, FLANGE, 6X12	2	
<u>Ref</u>	<u>Partnumber</u>	<u>Description</u>	<u>GX390UT1</u>	<u>Serial Numbers</u>
015	96100-6202000	BEARING, RADIAL BALL, 6202	1	
016	35480-ZF6-003	SWITCH ASSY., OIL LEVEL	1	

GX390UT1(QXCU)

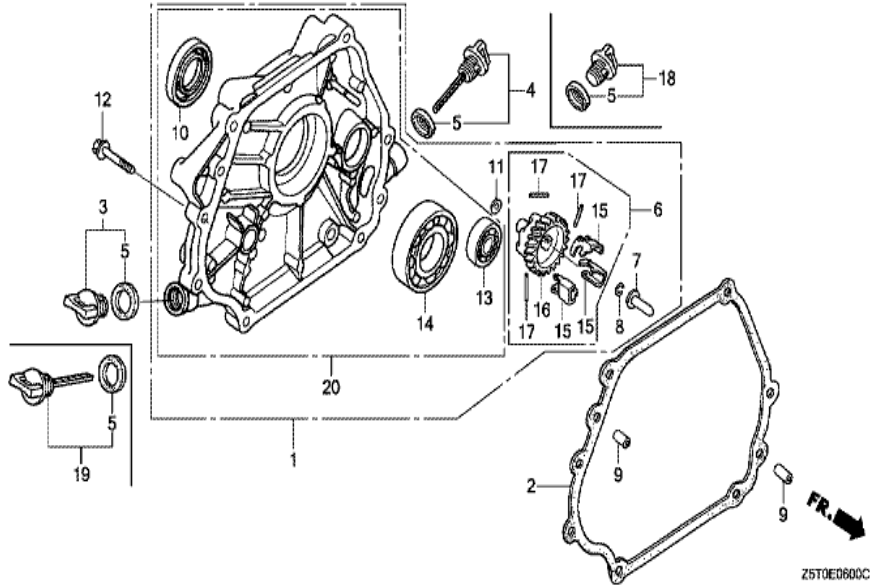
E-40-3 OTHER PARTS (MARK)



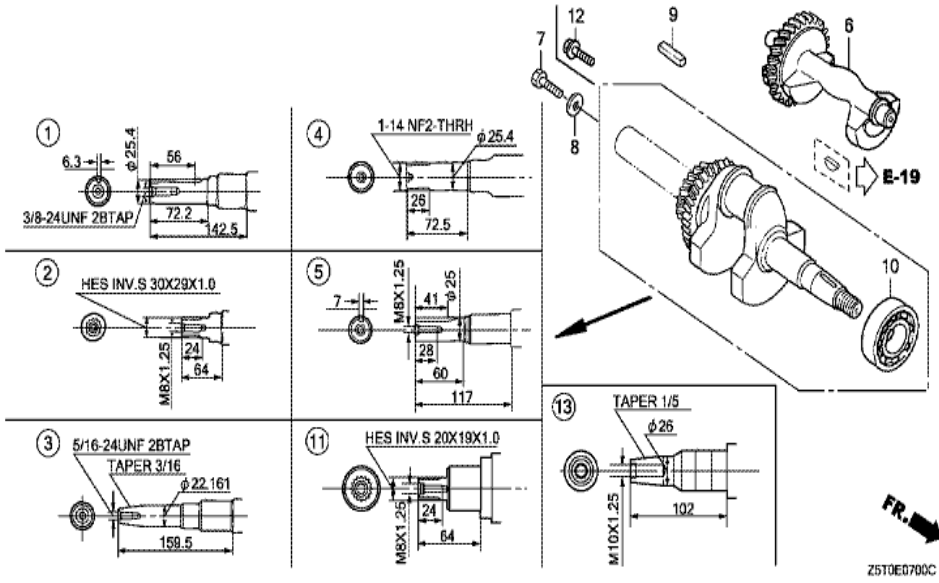
<u>Ref</u>	<u>Partnumber</u>	<u>Description</u>	<u>GX390UT1</u>	<u>Serial Numbers</u>
001	87516-Z4H-010	MARK, OPERATOR CAUTION (ENGLISH) (MADE I	1	
003	87516-Z4H-801	MARK, OPERATOR CAUTION (FRENCH) (MADE IN	1	
013	87539-Z0J-000	MARK, EX. CAUTION (ENGLISH)	1	
015	87539-Z0J-810	MARK, EX. CAUTION (FRENCH)	1	

GX390UT1(QXCU)

E-6 CRANKCASE COVER (1)



<u>Ref</u>	<u>Partnumber</u>	<u>Description</u>	<u>GX390UT1</u>	<u>Serial Numbers</u>
001	11300-Z1C-600	COVER ASSY., CRANKCASE	1	
002	11381-ZE3-801	PACKING, CASE COVER	1	
003	15600-Z0T-820	CAP ASSY., OIL FILLER (BLACK)	1	
004	15600-Z1C-000	CAP ASSY., OIL FILLER	1	
005	15625-Z0T-800	PACKING, OIL FILLER CAP	2	
006	16510-ZE3-000	GOVERNOR ASSY.	1	
007	16531-Z0A-000	SLIDER, GOVERNOR	1	
008	90602-ZE1-000	CLIP, GOVERNOR HOLDER	1	
009	90701-HC4-000	DOWEL PIN, 8X12	2	
010	91201-Z1C-003	OIL SEAL, 35X52X8 (NOK)	1	
011	94101-06800	WASHER, PLAIN, 6MM	1	
012	95701-0804000	BOLT, FLANGE, 8X40	7	
013	96100-6202000	BEARING, RADIAL BALL, 6202	1	
<u>Ref</u>	<u>Partnumber</u>	<u>Description</u>	<u>GX390UT1</u>	<u>Serial Numbers</u>
014	96100-6207000	BEARING, RADIAL BALL, 6207	1	
015	16511-ZE8-000	WEIGHT, GOVERNOR	3	
016	16512-ZE3-000	HOLDER, GOVERNOR WEIGHT	1	
017	16513-ZE2-000	PIN, GOVERNOR WEIGHT	3	

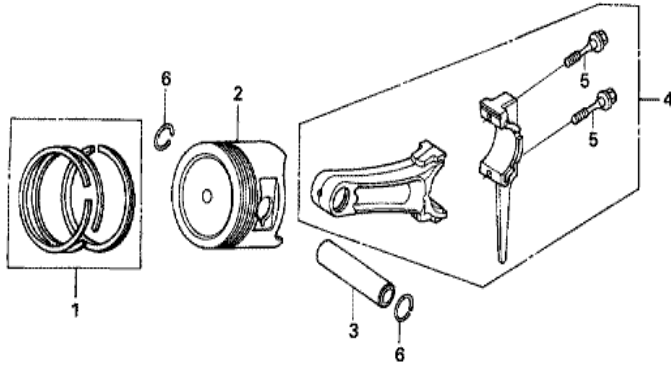


Z5T0E0700C

Ref	Partnumber	Description	GX390UT1	Serial Numbers
001	13310-ZF6-W12	CRANKSHAFT COMP.	1	
006	13351-ZE3-010	WEIGHT, BALANCER	1	
009	90745-ZE2-600	KEY, 6.3X6.3X43	1	
010	91001-ZF6-013	BEARING, RADIAL BALL, 6207SH	1	

GX390UT1(QXCU)

E-8 PISTON



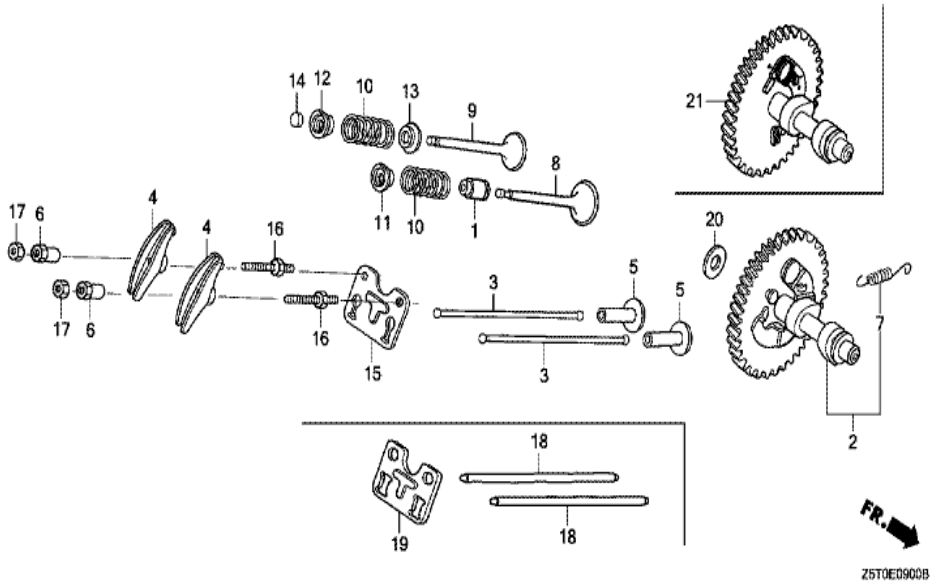
FR. →

Z5T0-E0800

<u>Ref</u>	<u>Partnumber</u>	<u>Description</u>	<u>GX390UT1</u>	<u>Serial Numbers</u>
001	13010-Z5R-004	RING SET, PISTON (STD.) (TEIKOKU)	1	
001	13010-Z5T-003	RING SET, PISTON (STD.) (RIKEN)	1	
001	13011-Z5R-004	RING SET, PISTON (0.25) (TEIKOKU)	(1)	
001	13011-Z5T-003	RING SET, PISTON (0.25) (RIKEN)	(1)	
001	13012-Z5R-004	RING SET, PISTON (0.50) (TEIKOKU)	(1)	
001	13012-Z5T-003	RING SET, PISTON (0.50) (RIKEN)	(1)	
001	13013-Z5R-004	RING SET, PISTON (0.75) (TEIKOKU)	(1)	
001	13013-Z5T-003	RING SET, PISTON (0.75) (RIKEN)	(1)	
002	13101-Z5T-000	PISTON (STD.)	1	
002	13102-Z5T-000	PISTON (0.25)	(1)	
002	13103-Z5T-000	PISTON (0.50)	(1)	
002	13104-Z5T-000	PISTON (0.75)	(1)	
003	13111-ZF6-W00	PIN, PISTON	1	
<u>Ref</u>	<u>Partnumber</u>	<u>Description</u>	<u>GX390UT1</u>	<u>Serial Numbers</u>
004	13200-Z1C-000	ROD ASSY., CONNECTING (STD.)	1	
004	13200-Z1C-305	ROD ASSY., CONNECTING (0.25 UNDER SIZE)	(1)	
005	90001-ZE8-000	BOLT, CONNECTING ROD	2	
006	90601-ZE3-000	CLIP, PISTON PIN, 20MM	2	

GX390UT1(QXCU)

E-9 CAMSHAFT



<u>Ref</u>	<u>Partnumber</u>	<u>Description</u>	<u>GX390UT1</u>	<u>Serial Numbers</u>
001	12209-ZE8-003	SEAL, VALVE STEM	1	
002	14100-ZF6-W01	CAMSHAFT ASSY.	1	
003	14410-Z1C-000	ROD, PUSH	2	
004	14431-ZE2-010	ARM, VALVE ROCKER	2	
005	14441-ZE2-000	LIFTER, VALVE	2	
006	14451-ZE1-013	PIVOT, ROCKER ARM	2	
007	14568-ZE1-000	SPRING, WEIGHT RETURN	1	
008	14711-ZE3-000	VALVE, IN.	1	
009	14721-ZE3-000	VALVE, EX.	1	
010	14751-Z1C-000	SPRING, VALVE	2	
011	14771-Z8S-000	RETAINER, IN. VALVE SPRING	1	
012	14773-Z8S-000	RETAINER, EX. VALVE SPRING	1	1592500
013	14775-ZE2-010	SEAT, VALVE SPRING	1	
<u>Ref</u>	<u>Partnumber</u>	<u>Description</u>	<u>GX390UT1</u>	<u>Serial Numbers</u>
014	14781-ZE2-000	ROTATOR, VALVE	1	
015	14791-Z1D-000	GUIDE, PUSH ROD	1	
016	90012-ZE0-010	BOLT, PIVOT, 8MM	2	
017	90206-ZE1-000	NUT, PIVOT ADJUSTING	2	