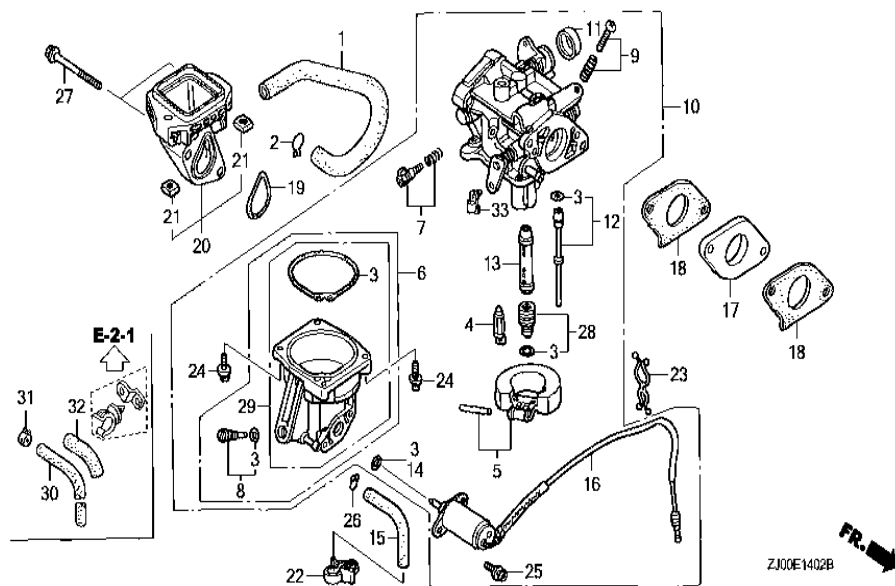


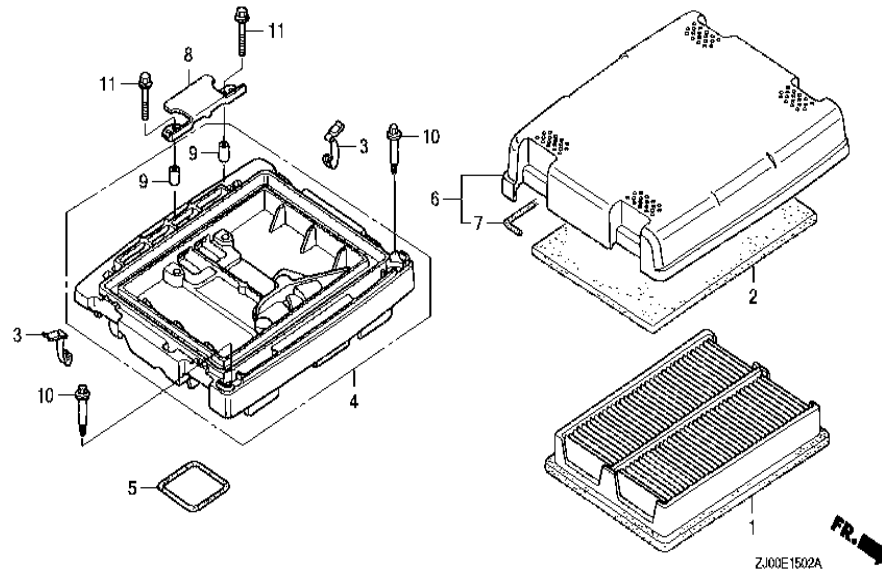
| Ref | Partnumber | Description | GX610K1 | Serial Numbers |
|-----|-----------------|----------------------------|---------|----------------|
| 001 | 16715-ZJ1-840 | COVER, FUEL PUMP | 1 | |
| 005 | 19611-ZJ1-860ZB | COVER, FAN (P.T.O.) *R8* | 1 | 2022543 |
| 005 | 19611-ZJ1-860ZC | COVER, FAN (P.T.O.) *R280* | 1 | 2022544 |
| 006 | 19612-ZJ1-840 | PLATE, SIDE | 1 | 2017309 |
| 006 | 19612-ZJ1-841 | PLATE, SIDE | 1 | 2017310 |
| 007 | 19614-ZJ1-840 | PLATE, SIDE | 1 | 2017309 |
| 007 | 19614-ZJ1-841 | PLATE, SIDE | 1 | 2017310 |
| 008 | 19631-ZJ1-840 | SHROUD | 1 | |
| 009 | 19632-ZJ1-840 | SHROUD | 1 | 2017309 |
| 009 | 19632-ZJ1-841 | SHROUD | 1 | 2017310 |
| 014 | 33713-GC2-000 | COLLAR B, TAILLIGHT | 6 | |
| 016 | 80101-310-000 | RUBBER, RR. FENDER CUSHION | 1 | |
| 017 | 90013-883-000 | BOLT, FLANGE, 6X12 (CT200) | 10 | |

| | | | |
|-----|---------------|----------------------------|---|
| 018 | 90018-ZE1-000 | BOLT, FLANGE, 6X23 (CT200) | 2 |
| 019 | 90042-ZJ1-840 | BOLT, STUD, 6X71 | 4 |
| 020 | 90313-ZJ1-840 | NUT, SQUARE, 5MM | 2 |
| 023 | 93913-25580- | SCREW, TAPPING, 5X20 | 2 |
| 025 | 94050-06000- | NUT, FLANGE, 6MM | 4 |
| 027 | 95701-0600800 | BOLT, FLANGE, 6X8 | 2 |

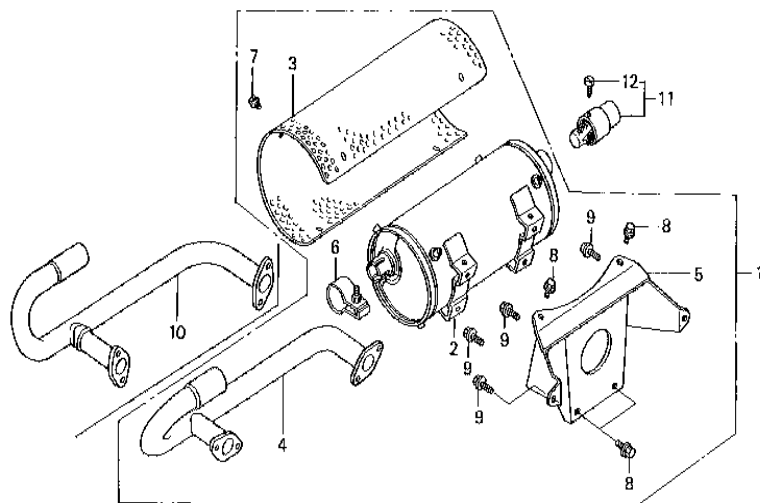



| Ref | Partnumber | Description | GX610K1 | Serial Numbers |
|-----|---------------|----------------------------|---------|----------------|
| 001 | 12357-ZJ1-840 | TUBE, BREATHER | 1 | |
| 002 | 15772-551-000 | CLIP, BREATHER TUBE | 1 | |
| 003 | 16010-ZG8-000 | GASKET SET | 1 | |
| 004 | 16011-KCK-910 | VALVE SET, FLOAT | 1 | |
| 005 | 16013-ZV4-005 | FLOAT SET | 1 | |
| 006 | 16015-ZJ1-841 | CHAMBER SET, FLOAT | 1 | |
| 007 | 16016-ZJ1-010 | SCREW SET | 1 | |
| 008 | 16024-124-760 | SCREW SET, DRAIN | 1 | |
| 009 | 16028-ZG8-000 | SCREW SET | 1 | |
| 010 | 16100-ZJ0-831 | CARBURETOR ASSY. (BG21H A) | 1 | |
| 011 | 16148-141-881 | CAP, CHOKE DUST | 1 | |
| 012 | 16150-ZJ0-831 | JET SET, #58 | 1 | |
| 013 | 16166-ZJ0-831 | NOZZLE, MAIN | 1 | |

| | | | |
|-----|----------------|--------------------------|-----|
| 014 | 16178-548-004 | O-RING, 5.8X1.9 | 1 |
| 015 | 16198-ZJ1-840 | TUBE, DRAIN | 1 |
| 016 | 16200-ZJ1-841 | VALVE ASSY., SOLENOID | 1 |
| 017 | 16211-ZJ0-841 | INSULATOR, CARBURETOR | 1 |
| 018 | 16221-ZJ1-840 | PACKING, CARBURETOR | 2 |
| 019 | 17228-ZG8-003 | PACKING, AIR CLEANER | 1 |
| 020 | 17410-ZJ1-840 | ELBOW COMP., AIR CLEANER | 1 |
| 021 | 90314-ZJ1-840 | NUT, INSERT, 6MM | 2 |
| 022 | 90682-959-661 | CLIP B, CABLE | 1 |
| 023 | 91402-ZJ1-841 | CLIP, PURSE LOCK | 1 |
| 024 | 93892-0401418 | SCREW-WASHER, 4X14 | 4 |
| 025 | 93892-0501218 | SCREW-WASHER, 5X12 | 2 |
| 026 | 95002-02080- | CLIP, TUBE (B8) | 1 |
| 027 | 95801-0612000 | BOLT, FLANGE, 6X120 | 2 |
| 028 | 99201-ZG8-0880 | JET SET, MAIN, #88 | (1) |
| 028 | 99201-ZG8-0900 | JET SET, MAIN, #90 | (1) |
| 028 | 99201-ZG8-0920 | JET SET, MAIN, #92 | 1 |
| 033 | 16126-ZJ1-841 | ARM, THROTTLE LINKAGE | 1 |



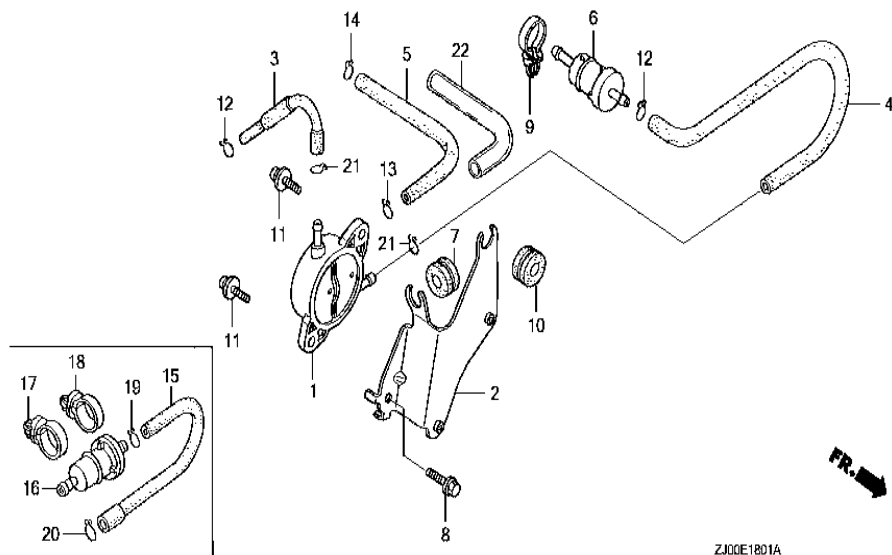
| Ref | Partnumber | Description | GX610K1 | Serial Numbers |
|-----|---------------|----------------------------|---------|----------------|
| 001 | 17210-ZJ1-841 | ELEMENT COMP., AIR CLEANER | 1 | 2017952 |
| 001 | 17210-ZJ1-842 | ELEMENT COMP., AIR CLEANER | 1 | 2017953 |
| 002 | 17218-ZJ1-840 | FILTER, OUTER | 1 | |
| 003 | 17219-ZJ1-840 | CLIP, AIR CLEANER | 4 | |
| 004 | 17220-ZJ1-840 | CASE COMP., AIR CLEANER | 1 | |
| 005 | 17229-ZJ1-840 | SEAL, AIR CLEANER CASE | 1 | |
| 006 | 17230-ZJ1-840 | COVER ASSY., AIR CLEANER | 1 | |
| 007 | 17233-ZJ1-840 | SEAL, AIR CLEANER COVER | 1 | |
| 008 | 17234-ZJ1-840 | PLATE, AIR CLEANER SETTING | 1 | |
| 009 | 17238-ZJ4-830 | COLLAR A, AIR CLEANER | 2 | |
| 010 | 90003-ZJ1-840 | BOLT, SPECIAL, 5MM | 2 | |
| 011 | 95701-0602800 | BOLT, FLANGE, 6X28 | 2 | |



FR. 
ZJ00-E1601A

| Ref | Partnumber | Description | GX610K1 | Serial Numbers |
|-----|---------------|---------------------------|---------|----------------|
| 002 | 18310-ZJ1-013 | MUFFLER COMP. (HIGH) | (1) | |
| 003 | 18321-ZJ1-003 | PROTECTOR, MUFFLER (HIGH) | (1) | |
| 005 | 18338-ZJ1-841 | STAY, MUFFLER (HIGH) | (1) | |
| 006 | 18396-ZJ1-003 | BAND ASSY. | (1) | |
| 007 | 95701-0600800 | BOLT, FLANGE, 6X8 | (6) | |
| 008 | 95701-0801400 | BOLT, FLANGE, 8X14 | (4) | |
| 009 | 95701-0802000 | BOLT, FLANGE, 8X20 | (4) | |
| 010 | 18330-ZJ1-851 | PIPE COMP., EX. (HIGH-L) | (1) | |
| 011 | 18355-ZJ1-003 | ARRESTER, SPARK | (1) | |
| 012 | 90009-ZJ1-801 | SCREW, (NELSON) | (1) | |

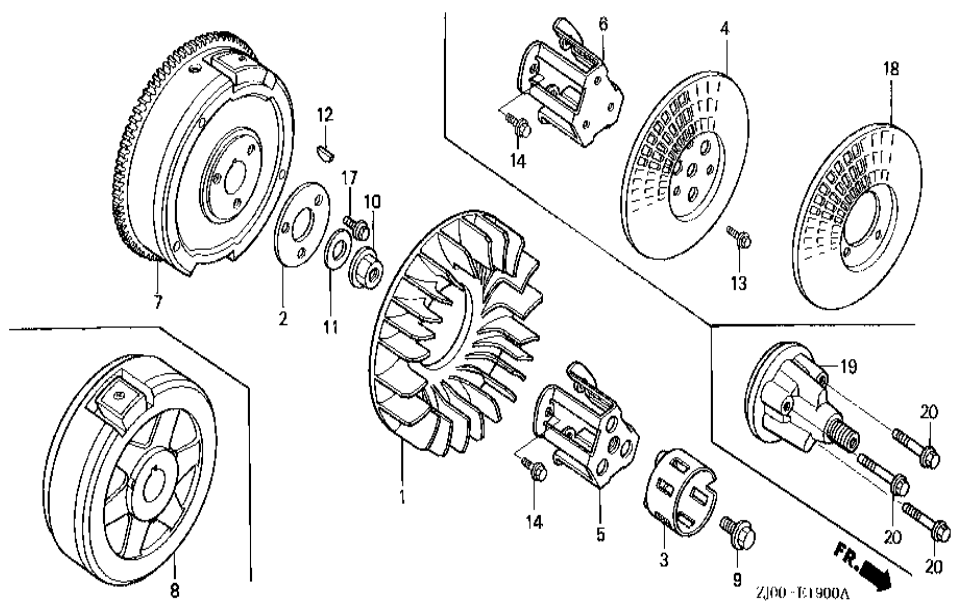
| | |
|--------------|----------------------|
| GX610K1(QAF) | E-18-1 FUEL PUMP (2) |
|--------------|----------------------|



| Ref | Partnumber | Description | GX610K1 | Serial Numbers |
|-----|---------------|----------------------------|---------|----------------|
| 001 | 16700-ZL8-003 | PUMP ASSY., FUEL | 1 | 2022976 |
| 001 | 16700-ZL8-013 | PUMP ASSY., FUEL | 1 | 2022977 |
| 002 | 16711-ZJ1-840 | STAY, FUEL PUMP | 1 | |
| 003 | 16850-ZJ1-840 | TUBE COMP., FUEL (A) | 1 | |
| 004 | 16852-ZJ1-840 | TUBE B, FUEL | 1 | |
| 005 | 16882-ZJ1-840 | TUBE, DIAPHRAGM | 1 | |
| 006 | 16910-ZE8-015 | STRAINER COMP., FUEL | 1 | |
| 007 | 19111-MF5-000 | GROMMET, RESERVE TANK | 1 | |
| 008 | 90014-952-000 | BOLT, FLANGE, 6X14 (CT200) | 1 | |
| 009 | 90617-SA0-003 | CLIP, WIRE HARNESS | 1 | |
| 010 | 91601-ZJ1-840 | GROMMET, PUMP STAY | 1 | |
| 011 | 93894-0601600 | SCREW-WASHER, 6X16 | 2 | |
| 012 | 95002-02080- | CLIP, TUBE (B8) | 2 | |

| <u>Ref</u> | <u>Partnumber</u> | <u>Description</u> | <u>GX610K1</u> | <u>Serial Numbers</u> |
|------------|-------------------|--------------------|----------------|-----------------------|
| 013 | 95002-02100- | CLIP, TUBE (B10) | 1 | |
| 014 | 95002-50000- | CLIP, TUBE (C9) | 1 | |
| 021 | 95002-02100- | CLIP, TUBE (B10) | 2 | |

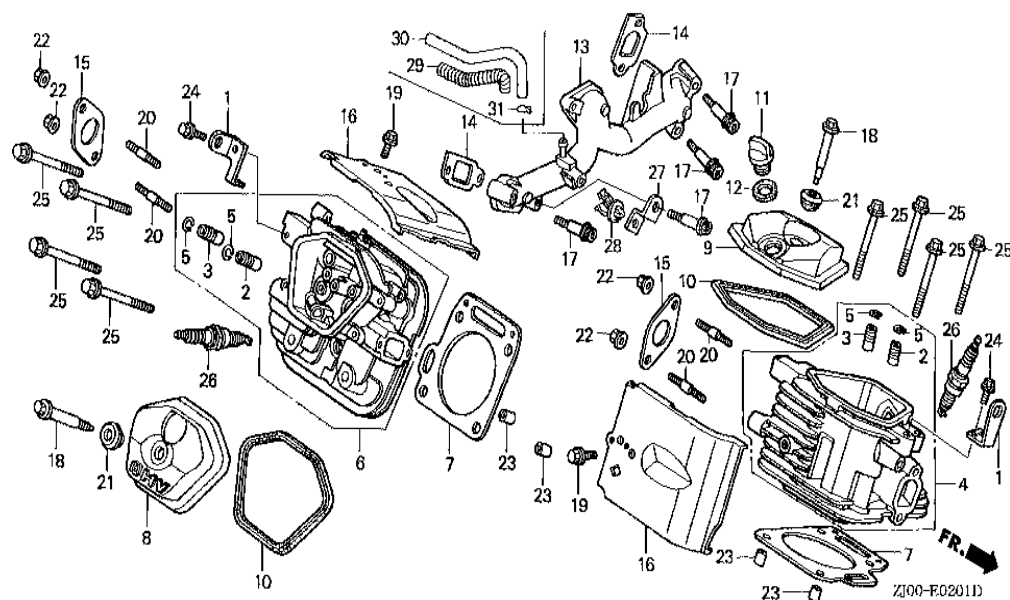
| | |
|--------------|---------------|
| GX610K1(QAF) | E-19 FLYWHEEL |
|--------------|---------------|



| Ref | Partnumber | Description | GX610K1 | Serial Numbers |
|-----|---------------|------------------------------|---------|----------------|
| 001 | 19511-ZJ1-000 | FAN, COOLING | 1 | |
| 002 | 19513-ZJ1-000 | PLATE, COOLING FAN SETTING | 1 | |
| 004 | 28452-ZJ1-811 | GRID, SCREEN (P.T.O.) | (1) | |
| 006 | 28454-ZJ1-801 | HOLDER, SCREEN GRID | (1) | |
| 007 | 31110-ZJ1-840 | FLYWHEEL COMP. | 1 | |
| 010 | 90201-ZG3-000 | NUT, FLANGE, 20MM | 1 | |
| 011 | 90401-ZG3-000 | WASHER, 20MM | 1 | |
| 012 | 90741-ZE2-000 | KEY, SPECIAL WOODRUFF, 25X18 | 1 | |
| 013 | 95701-0601200 | BOLT, FLANGE, 6X12 | (3) | |
| 014 | 95701-0801600 | BOLT, FLANGE, 8X16 | (3) | |
| 017 | 95701-0801600 | BOLT, FLANGE, 8X16 | 3 | |

GX610K1(QAF)

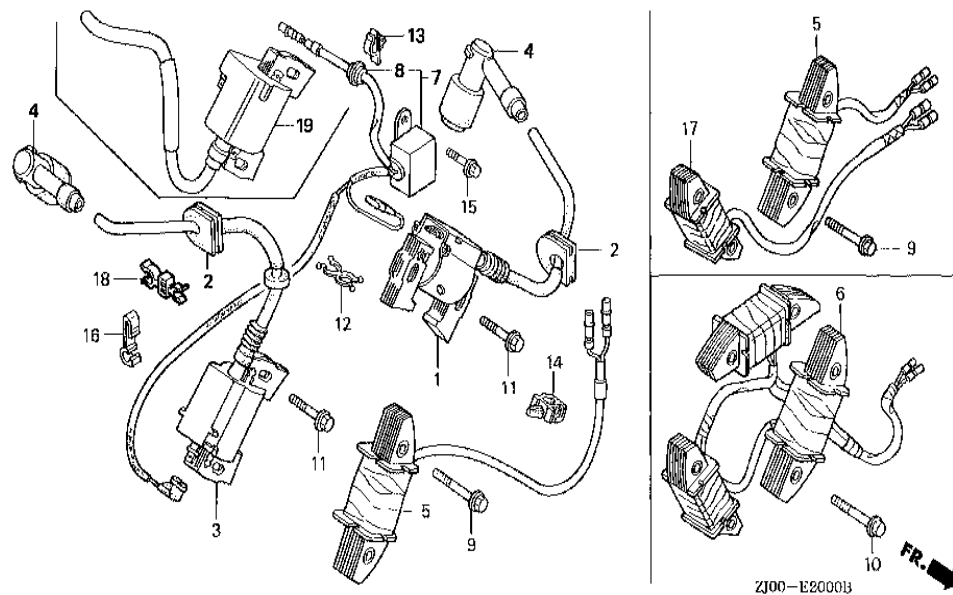
E-2-1 CYLINDER HEAD (2)



| Ref | Partnumber | Description | GX610K1 | Serial Numbers |
|-----|---------------|---------------------------|---------|----------------|
| 001 | 11911-ZJ1-840 | HANGER, ENGINE | 2 | |
| 002 | 12204-ZE2-306 | GUIDE, IN. VALVE (O.S.) | (2) | |
| 003 | 12205-ZJ1-405 | GUIDE, EX. VALVE (O.S.) | (2) | |
| 004 | 12210-ZJ1-406 | HEAD COMP., CYLINDER (#1) | 1 | |
| 005 | 12216-ZE2-300 | CLIP, VALVE GUIDE | 4 | |
| 006 | 12220-ZJ1-405 | HEAD COMP., CYLINDER (#2) | 1 | |
| 007 | 12251-ZJ1-841 | GASKET, CYLINDER HEAD | 2 | |
| 008 | 12311-ZJ1-840 | COVER, HEAD | 1 | |
| 009 | 12314-ZJ1-840 | COVER, HEAD FILLER | 1 | |
| 010 | 12391-ZE2-020 | PACKING, HEAD COVER | 2 | |
| 011 | 15611-MB0-000 | CAP, OIL FILLER | 1 | |
| 012 | 15625-ZJ1-840 | PACKING, OIL FILLER CAP | 1 | |
| 013 | 17101-ZJ1-840 | MANIFOLD, INTAKE | 1 | |

| <u>Ref</u> | <u>Partnumber</u> | <u>Description</u> | <u>GX610K1</u> | <u>Serial Numbers</u> |
|------------|-------------------|-------------------------------|----------------|-----------------------|
| 014 | 17151-ZJ1-841 | GASKET, INTAKE MANIFOLD | 2 | |
| 015 | 18333-ZE3-800 | GASKET, EX. PIPE | 2 | |
| 016 | 19682-ZJ1-840 | SHROUD, HEAD | 2 | |
| 017 | 90011-ZJ1-841 | BOLT, SOCKET, 8X45 | 4 | |
| 018 | 90014-ZE2-000 | BOLT, HEAD COVER | 2 | |
| 019 | 90014-952-000 | BOLT, FLANGE, 6X14 (CT200) | 2 | |
| 020 | 90018-ZJ1-840 | BOLT, STUD, 8X22 | 4 | |
| 021 | 90441-ZE2-010 | WASHER COMP., HEAD COVER | 2 | |
| 022 | 94050-08000- | NUT, FLANGE, 8MM | 4 | |
| 023 | 94301-12200- | DOWEL PIN, 12X20 | 4 | |
| 024 | 95701-0802000 | BOLT, FLANGE, 8X20 | 2 | |
| 025 | 95701-1008000 | BOLT, FLANGE, 10X80 | 8 | |
| 026 | 98079-52876- | PLUG, SPARK (BPR2ES) (NGK) | (2) | |
| 026 | 98079-5485V- | PLUG, SPARK (J14CR-U) (DENSO) | (2) | |
| 026 | 98079-5487V- | PLUG, SPARK (ZGR4A) | (2) | |
| 026 | 98079-5585V- | PLUG, SPARK (J16CR-U) (DENSO) | 2 | |
| 026 | 98079-5587V- | PLUG, SPARK (ZGR5A) | 2 | |

| | |
|--------------|--------------------|
| GX610K1(QAF) | E-20 IGNITION COIL |
|--------------|--------------------|

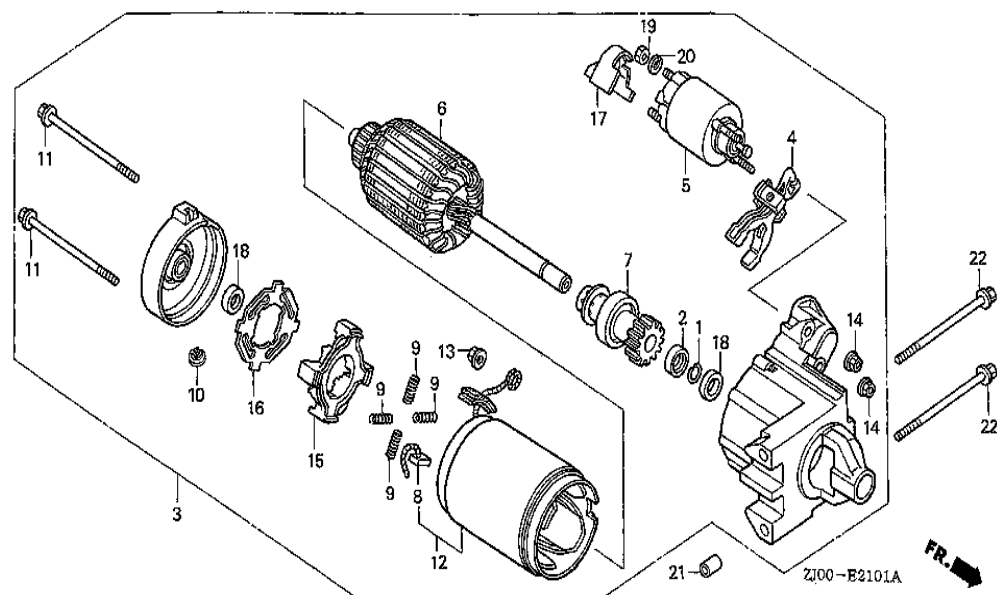


| Ref | Partnumber | Description | GX610K1 | Serial Numbers |
|-----|---------------|------------------------------|---------|--------------------|
| 001 | 30500-ZJ1-841 | COIL ASSY., IGNITION | 1 | 2018397 |
| 001 | 30500-ZJ1-842 | COIL ASSY., IGNITION | 1 | 2018398 2047154 |
| 001 | 30500-ZJ1-843 | COIL ASSY., IGNITION | 1 | 2047155 2049300 |
| 001 | 30500-ZJ1-844 | COIL ASSY., IGNITION | 1 | 2049301 |
| 002 | 30518-ZJ1-000 | GROMMET, HIGH TENSION CORD | 2 | |
| 004 | 30700-ZJ1-841 | CAP ASSY., NOISE SUPPRESSOR | 2 | |
| 006 | 31630-ZJ1-801 | COIL ASSY., CHARGE (12V/20A) | 1 | |
| 007 | 31740-ZJ1-841 | DIODE ASSY., ENGINE STOP | 1 | 2015619 |
| 007 | 31740-ZJ1-861 | DIODE ASSY., ENGINE STOP | 1 | 2015620 |
| 008 | 63312-ZA7-000 | GROMMET, TOOL | 1 | |
| 010 | 90031-ZE1-000 | BOLT, FLANGE, 6X32 | 6 | |
| 011 | 90031-ZE1-000 | BOLT, FLANGE, 6X32 | 2 | |
| 015 | 95701-0600800 | BOLT, FLANGE, 6X8 | 1 | |

| <u>Ref</u> | <u>Partnumber</u> | <u>Description</u> | <u>GX610K1</u> | <u>Serial Numbers</u> | |
|------------|-------------------|----------------------|----------------|-----------------------|---------|
| 016 | 32763-PA0-000 | CLAMP, CORD | 1 | | |
| 019 | 30550-ZJ1-841 | COIL ASSY., IGNITION | 1 | | 2018565 |
| 019 | 30550-ZJ1-842 | COIL ASSY., IGNITION | 1 | 2018566 | 2047154 |
| 019 | 30550-ZJ1-843 | COIL ASSY., IGNITION | 1 | 2047155 | 2049300 |
| 019 | 30550-ZJ1-844 | COIL ASSY., IGNITION | 1 | 2049301 | |

GX610K1(QAF)

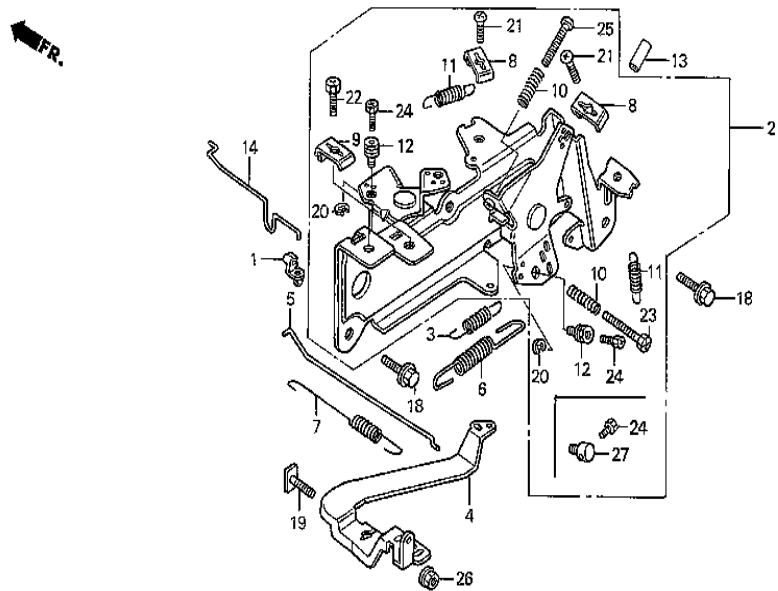
E-21-1 STARTER MOTOR (2)



| Ref | Partnumber | Description | GX610K1 | Serial Numbers |
|-----|---------------|---------------------------|---------|----------------|
| 001 | 30201-PH9-004 | RING, SNAP (DENSO) | 1 | |
| 002 | 30202-PZ1-003 | COLLAR SET, CLUTCH STOP | 1 | |
| 003 | 31200-ZJ1-841 | MOTOR ASSY., STARTER | 1 | |
| 004 | 31203-PH9-004 | LEVER, PINION DRIVE | 1 | |
| 005 | 31204-ZJ1-H01 | SWITCH ASSY., MAGNET | 1 | |
| 006 | 31206-ZG4-801 | ARMATURE COMP. | 1 | |
| 007 | 31207-ZJ1-H01 | CLUTCH COMP., OVERRUNNING | 1 | |
| 008 | 31211-PH9-004 | BRUSH | 4 | |
| 009 | 31212-PH9-004 | SPRING, BRUSH | 4 | |
| 010 | 31213-P64-N01 | COVER | 1 | |
| 011 | 31214-PH9-004 | BOLT, THROUGH | 2 | |
| 012 | 31218-P64-N01 | YOKE COMP. | 1 | |
| 013 | 31220-PH9-004 | NUT, HEX., 8MM | 1 | |

| <u>Ref</u> | <u>Partnumber</u> | <u>Description</u> | <u>GX610K1</u> | <u>Serial Numbers</u> |
|------------|-------------------|-------------------------|----------------|-----------------------|
| 014 | 31223-PA0-006 | NUT, HEX. | 2 | |
| 015 | 31231-PH9-004 | HOLDER, BRUSH | 1 | |
| 016 | 31233-PH9-004 | INSULATOR, BRUSH HOLDER | 1 | |
| 017 | 31234-ZJ1-H01 | COVER, TERMINAL | 1 | |
| 018 | 91002-ZG4-801 | BEARING A | 2 | |
| 019 | 94001-082000S | NUT, HEX., 8MM | 1 | |
| 020 | 94111-08000- | WASHER, SPRING, 8MM | 1 | |
| 021 | 94301-10120- | DOWEL PIN, 10X12 | 2 | |
| 022 | 95701-0811000 | BOLT, FLANGE, 8X110 | 2 | |

| | |
|--------------|--------------------|
| GX610K1(QAF) | E-22-2 CONTROL (3) |
|--------------|--------------------|

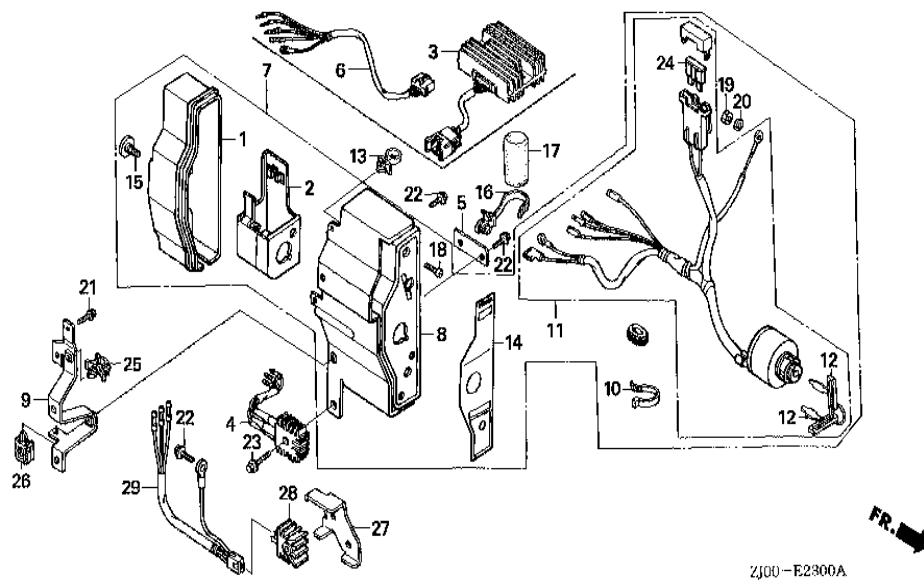


ZJ00-E2202B

| Ref | Partnumber | Description | GX610K1 | Serial Numbers |
|-----|---------------|---------------------------|---------|----------------|
| 001 | 16263-883-W10 | JOINT, ROD | 1 | |
| 002 | 16500-ZJ1-861 | CONTROL ASSY. | 1 | |
| 003 | 16534-ZJ1-840 | SPRING, STARTER | 1 | |
| 004 | 16551-ZJ1-840 | ARM, GOVERNOR | 1 | |
| 005 | 16555-ZJ1-840 | ROD, GOVERNOR | 1 | |
| 006 | 16561-ZJ4-830 | SPRING, GOVERNOR | 1 | |
| 007 | 16562-ZJ1-840 | SPRING, THROTTLE RETURN | 1 | |
| 008 | 16576-891-000 | HOLDER, CABLE | 2 | |
| 010 | 16584-883-300 | SPRING, CONTROL ADJUSTING | 2 | |
| 011 | 16592-ZJ1-000 | SPRING, CABLE RETURN | 2 | |
| 012 | 16594-883-010 | HOLDER, WIRE | 2 | 2001753 |
| 012 | 16594-883-010 | HOLDER, WIRE | 1 | 2001754 |
| 014 | 16611-ZJ1-840 | ROD, CHOKE CONTROL | 1 | |

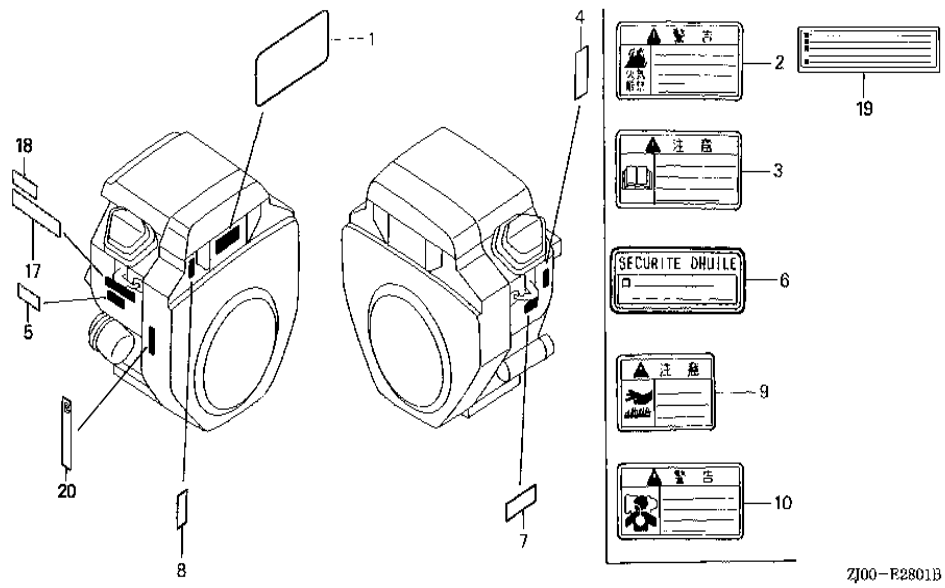
| <u>Ref</u> | <u>Partnumber</u> | <u>Description</u> | <u>GX610K1</u> | <u>Serial Numbers</u> |
|------------|-------------------|----------------------------|----------------|-----------------------|
| 018 | 90014-952-000 | BOLT, FLANGE, 6X14 (CT200) | 2 | |
| 019 | 90015-ZE3-790 | BOLT, GOVERNOR ARM | 1 | |
| 020 | 90605-230-000 | CIRCLIP, 5MM | 2 | |
| 021 | 92301-050160A | BOLT, RECESSED, 5X16 | 2 | |
| 023 | 92301-050250A | BOLT, RECESSED, 5X25 | 1 | |
| 024 | 92301-040060H | BOLT, RECESSED, 4X6 | 2 | |
| 025 | 93500-050250A | SCREW, PAN, 5X25 | 1 | |
| 026 | 94050-06000- | NUT, FLANGE, 6MM | 1 | |
| 027 | 16617-ZJ1-840 | HOLDER, CABLE | 1 | 2001754 |

| | |
|--------------|------------------|
| GX610K1(QAF) | E-23 CONTROL BOX |
|--------------|------------------|



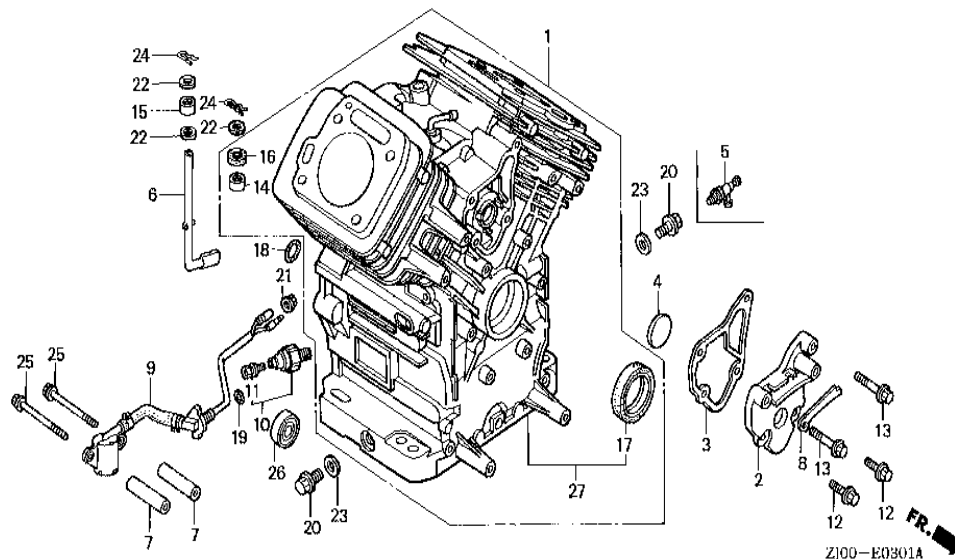
| Ref | Partnumber | Description | GX610K1 | Serial Numbers |
|-----|---------------|---------------------------------|---------|----------------|
| 003 | 31620-ZG5-013 | RECTIFIER ASSY., REGULATOR(20A) | 1 | |
| 006 | 32105-ZJ1-800 | HARNESS ASSY., SUB WIRE | 1 | |

| | |
|--------------|------------------|
| GX610K1(QAF) | E-28-1 LABEL (2) |
|--------------|------------------|



| Ref | Partnumber | Description | GX610K1 | Serial Numbers |
|-----|---------------|------------------------------|---------|----------------|
| 001 | 87101-ZJ0-830 | EMBLEM (18.0) | 1 | 2021866 |
| 001 | 87101-ZJ0-831 | EMBLEM (18.0) | 1 | 2021867 |
| 002 | 87106-737-J00 | MARK, FUEL WARNING | (1) | |
| 003 | 87150-ZH8-000 | MARK, CAUTION (JAPANESE) | (1) | |
| 004 | 87152-ZJ0-000 | LABEL, SPECIFICATION | 1 | 2017952 |
| 004 | 87152-ZJ0-010 | LABEL, SPECIFICATION (GX610) | 1 | 2017953 |
| 009 | 87539-737-J00 | MARK, HEAT CAUTION | (1) | |
| 010 | 87561-733-J00 | MARK, EX. GAS WARNING | (1) | |

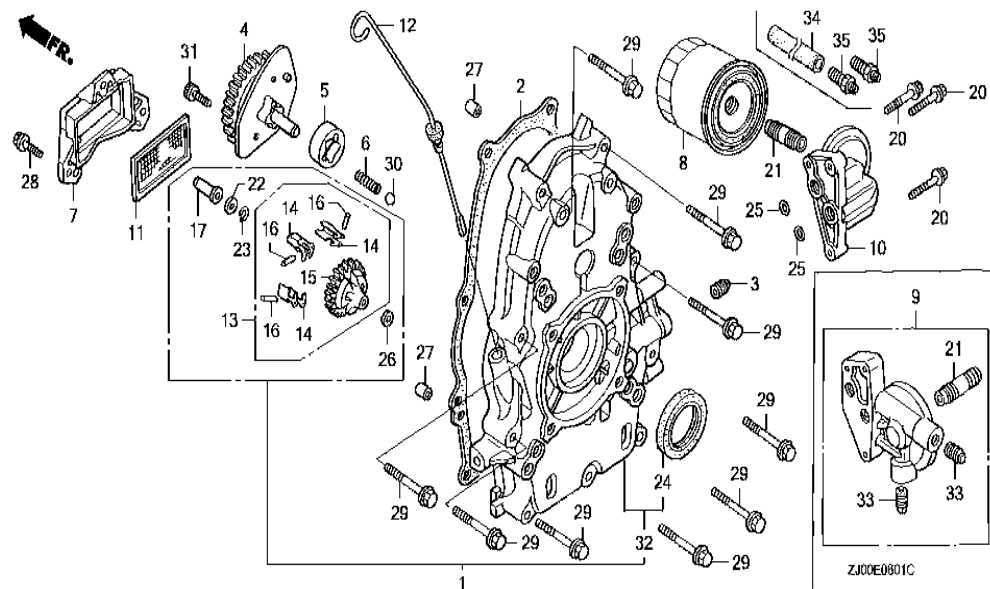
| | |
|--------------|---------------------------|
| GX610K1(QAF) | E-3-1 CYLINDER BARREL (2) |
|--------------|---------------------------|



| Ref | Partnumber | Description | GX610K1 | Serial Numbers |
|-----|---------------|------------------------------|---------|----------------|
| 001 | 12000-ZJ1-405 | BARREL ASSY., CYLINDER | 1 | 2012043 |
| 001 | 12000-ZJ1-840 | BARREL ASSY., CYLINDER | 1 | 2012042 |
| 002 | 12356-ZJ1-000 | COVER, BREATHER | 1 | |
| 003 | 12358-ZJ1-000 | PACKING, BREATHER COVER | 1 | |
| 004 | 12372-ZE2-300 | VALVE, BREATHER | 1 | |
| 005 | 15558-ZJ1-003 | VALVE, OIL SHUT-OFF | (1) | |
| 006 | 16541-ZJ1-840 | SHAFT, GOVERNOR ARM | 1 | |
| 008 | 31511-ZJ1-000 | CLAMPER, CORD | 1 | |
| 010 | 37240-ZG3-E01 | SWITCH, OIL PRESSURE | 1 | |
| 011 | 90002-ZG5-004 | SCREW-WASHER, 4X8 | 1 | |
| 012 | 90029-888-000 | BOLT, FLANGE, 6X16 (CT200) | 2 | |
| 013 | 90031-ZE1-000 | BOLT, FLANGE, 6X32 | 2 | |
| 014 | 91001-ZJ1-841 | BEARING, NEEDLE, 8X12.7X11.1 | 1 | |

| <u>Ref</u> | <u>Partnumber</u> | <u>Description</u> | <u>GX610K1</u> | <u>Serial Numbers</u> |
|------------|-------------------|----------------------------|----------------|-----------------------|
| 015 | 91002-ZJ1-841 | BEARING, NEEDLE, 8X12X10 | 1 | |
| 016 | 91201-ZE9-003 | OIL SEAL, 8X14X5 | 1 | |
| 017 | 91201-ZJ1-841 | OIL SEAL, 38X58X9 | 1 | |
| 018 | 91302-MB6-830 | O-RING, 13X3.0 | 1 | |
| 020 | 92800-14000- | BOLT, DRAIN PLUG, 14MM | 2 | |
| 022 | 94102-08800- | WASHER, PLAIN, 8MM | 3 | |
| 023 | 94109-14000- | WASHER, DRAIN PLUG, 14MM | 2 | |
| 024 | 94251-08000- | PIN, LOCK, 8MM | 2 | |
| 026 | 96140-6003010 | BEARING, RADIAL BALL, 6003 | 1 | |

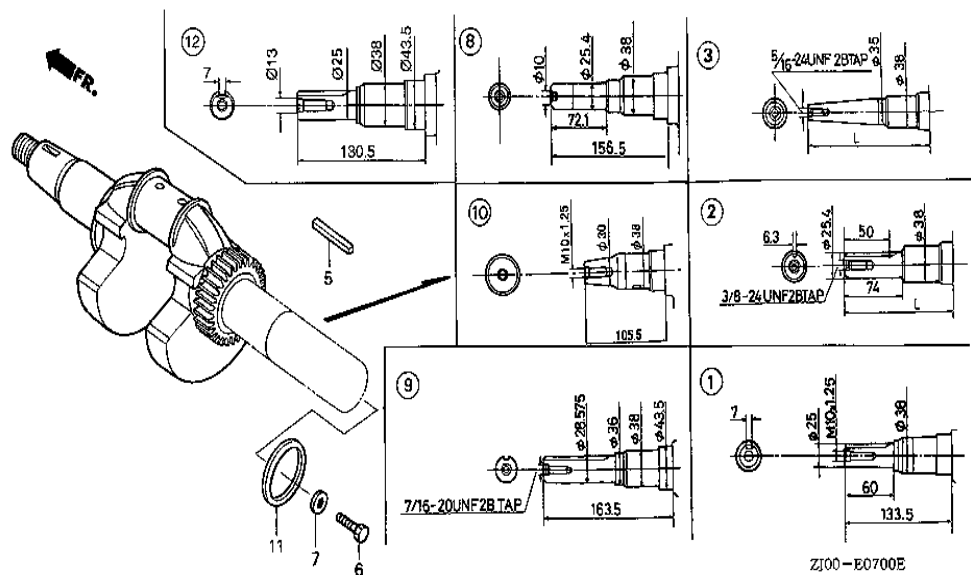
| | |
|--------------|---------------------------|
| GX610K1(QAF) | E-6-1 CRANKCASE COVER (2) |
|--------------|---------------------------|



| Ref | Partnumber | Description | GX610K1 | Serial Numbers |
|-----|---------------|----------------------------------|---------|----------------|
| 001 | 11300-ZJ1-840 | COVER ASSY., CRANKCASE | 1 | 2017181 |
| 001 | 11300-ZJ1-841 | COVER ASSY., CRANKCASE | 1 | 2017182 |
| 002 | 11381-ZJ1-840 | GASKET, CASE COVER | 1 | |
| 004 | 15120-ZJ1-000 | COVER ASSY., OIL PUMP(TWO BOLTS) | 1 | |
| 005 | 15124-ZJ1-003 | ROTOR, OIL PUMP OUTER | 1 | |
| 006 | 15232-ZJ1-000 | SPRING, RELIEF VALVE | 1 | |
| 007 | 15348-ZJ1-840 | COVER, OIL FILTER | 1 | |
| 008 | 15400-ZJ1-004 | CARTRIDGE, OIL FILTER(TOYO ROKI) | 1 | |
| 010 | 15411-ZJ1-840 | BASE, OIL FILTER | 1 | |
| 011 | 15427-ZJ1-000 | SCREEN, OIL FILTER | 1 | |
| 012 | 15655-ZJ1-861 | GAUGE COMP., OIL LEVEL | 1 | |
| 013 | 16510-ZJ1-840 | GOVERNOR ASSY. | 1 | |
| 014 | 16511-ZJ1-840 | WEIGHT, GOVERNOR | 3 | |

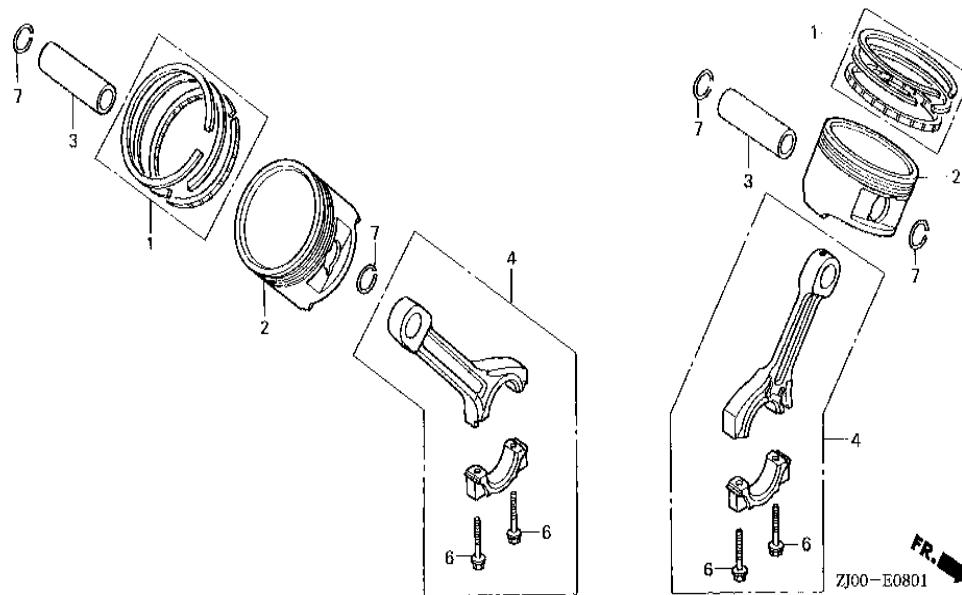
| <u>Ref</u> | <u>Partnumber</u> | <u>Description</u> | <u>GX610K1</u> | <u>Serial Numbers</u> |
|------------|-------------------|-------------------------|----------------|-----------------------|
| 015 | 16512-ZJ1-840 | HOLDER, GOVERNOR WEIGHT | 1 | |
| 016 | 16513-ZE2-000 | PIN, GOVERNOR WEIGHT | 3 | |
| 017 | 16531-Z0A-000 | SLIDER, GOVERNOR | 1 | 2017182 |
| 017 | 16531-ZE2-000 | SLIDER, GOVERNOR | 1 | 2017181 |
| 020 | 90015-883-000 | BOLT, FLANGE, 6X28 | 3 | |
| 021 | 90018-PN3-000 | HOLDER, OIL FILTER | 1 | |
| 022 | 90473-147-000 | WASHER, 6X16 | 1 | |
| 023 | 90602-ZE1-000 | CLIP, GOVERNOR HOLDER | 1 | |
| 024 | 91202-ZJ1-841 | OIL SEAL, 38X58X9 | 1 | |
| 025 | 91302-ZE9-003 | O-RING, 11.8X2.4 | 2 | |
| 026 | 94101-06800- | WASHER, PLAIN, 6MM | 1 | |
| 027 | 94301-08140- | DOWEL PIN, 8X14 | 2 | |
| 028 | 95701-0602000 | BOLT, FLANGE, 6X20 | 3 | |
| 029 | 95701-0805000 | BOLT, FLANGE, 8X50 | 9 | |
| 030 | 96211-12000- | BALL, STEEL, #12 (3/8) | 1 | |
| 031 | 96600-0601600 | BOLT, SOCKET, 6X16 | 2 | |
| 033 | 12105-ZA0-701 | BOLT, SEALING | 2 | |

| | |
|--------------|--------------------|
| GX610K1(QAF) | E-7 CRANKSHAFT (1) |
|--------------|--------------------|



| Ref | Partnumber | Description | GX610K1 | Serial Numbers |
|-----|---------------|--|---------|----------------|
| 002 | 13310-ZJ1-840 | CRANKSHAFT COMP. (L=139.5) | 1 | |
| 011 | 90401-ZJ1-000 | WASHER, CRANKSHAFT THRUST(38.5X54.0X1.0) | 1 | |

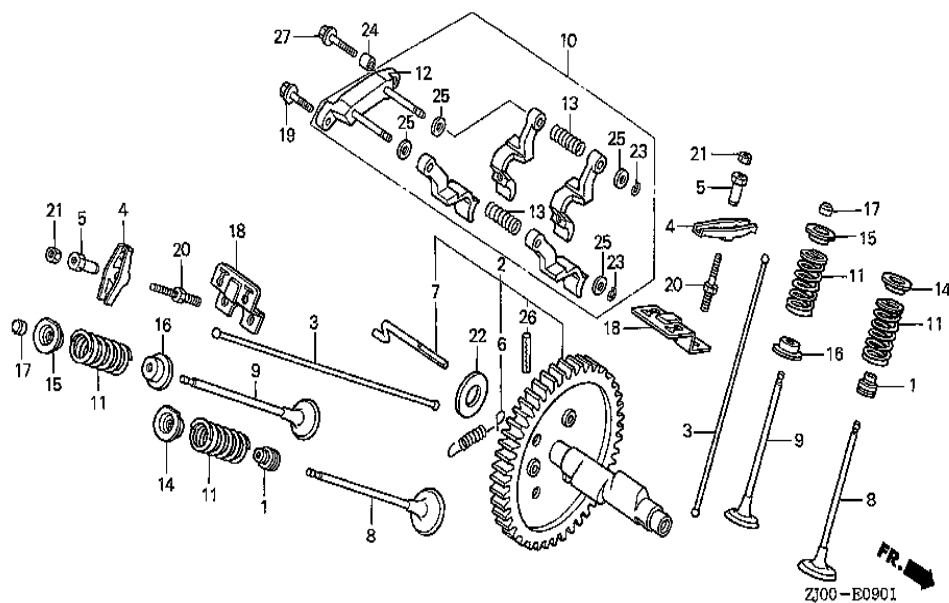
| | |
|--------------|------------------|
| GX610K1(QAF) | E-8-1 PISTON (2) |
|--------------|------------------|



| Ref | Partnumber | Description | GX610K1 | Serial Numbers |
|-----|---------------|---------------------------------|---------|----------------|
| 001 | 13010-ZJ1-841 | RING SET, PISTON (STD.)(NIPPON) | 2 | |
| 001 | 13011-ZJ1-841 | RING SET, PISTON (0.25)(NIPPON) | (2) | |
| 001 | 13012-ZJ1-841 | RING SET, PISTON (0.50)(NIPPON) | (2) | |
| 001 | 13013-ZJ1-841 | RING SET, PISTON (0.75)(NIPPON) | (2) | |
| 002 | 13101-ZJ1-840 | PISTON (STD.) | 2 | |
| 002 | 13102-ZJ1-840 | PISTON (0.25) | (2) | |
| 002 | 13103-ZJ1-840 | PISTON (0.50) | (2) | |
| 002 | 13104-ZJ1-840 | PISTON (0.75) | (2) | |
| 003 | 13111-ZJ1-840 | PIN, PISTON | 2 | |
| 004 | 13200-ZJ1-841 | ROD ASSY., CONNECTING | 2 | |
| 006 | 90001-ZN1-000 | BOLT, CONNECTING ROD, 6X37 | 4 | |
| 007 | 94601-18000- | CLIP, PISTON PIN, 18MM | 4 | |

GX610K1(QAF)

E-9-1 CAMSHAFT (2)



| Ref | Partnumber | Description | GX610K1 | Serial Numbers |
|-----|---------------|---------------------------|---------|----------------|
| 001 | 12209-ZE8-003 | SEAL, VALVE STEM | 2 | |
| 002 | 14100-ZJ1-842 | CAMSHAFT ASSY. | 1 | |
| 003 | 14410-ZJ1-840 | ROD, PUSH | 4 | |
| 004 | 14431-ZE2-010 | ARM, VALVE ROCKER | 4 | |
| 005 | 14451-ZE1-013 | PIVOT, ROCKER ARM | 4 | |
| 006 | 14568-ZJ1-841 | SPRING, WEIGHT RETURN | 1 | |
| 007 | 14576-ZJ1-840 | PIN, DECOMPER | 1 | |
| 008 | 14711-ZE3-000 | VALVE, IN. | 2 | |
| 009 | 14721-ZE3-000 | VALVE, EX. | 2 | |
| 010 | 14730-ZJ1-841 | LIFTER ASSY., VALVE | 1 | |
| 011 | 14751-ZE2-003 | SPRING, VALVE | 4 | |
| 012 | 14760-ZJ1-840 | SHAFT COMP., VALVE LIFTER | 1 | |
| 013 | 14764-ZJ1-840 | SPRING, VALVE LIFTER | 2 | |

| <u>Ref</u> | <u>Partnumber</u> | <u>Description</u> | <u>GX610K1</u> | <u>Serial Numbers</u> |
|------------|-------------------|----------------------------|----------------|-----------------------|
| 014 | 14771-ZE2-000 | RETAINER, IN. VALVE SPRING | 2 | |
| 015 | 14773-ZE2-000 | RETAINER, EX. VALVE SPRING | 2 | |
| 016 | 14775-ZE2-010 | SEAT, VALVE SPRING | 2 | |
| 017 | 14781-ZE2-000 | ROTATOR, VALVE | 2 | |
| 018 | 14791-ZE2-010 | PLATE, PUSH ROD GUIDE | 2 | |
| 019 | 90005-896-000 | BOLT, FLANGE, 5X16 | 1 | |
| 020 | 90012-ZE0-010 | BOLT, PIVOT, 8MM | 4 | |
| 021 | 90206-ZE1-000 | NUT, PIVOT ADJUSTING | 4 | |
| 022 | 90446-357-000 | WASHER, THRUST, 17.2MM | 1 | |
| 023 | 90602-ZE1-000 | CLIP, GOVERNOR HOLDER | 2 | |
| 024 | 90702-GB6-910 | DOWEL PIN, 8X12 | 1 | |
| 025 | 94101-06800- | WASHER, PLAIN, 6MM | 4 | |
| 026 | 94305-60282- | PIN, SPRING, 6X28 | 1 | |
| 027 | 95701-0602500 | BOLT, FLANGE, 6X25 | 1 | |