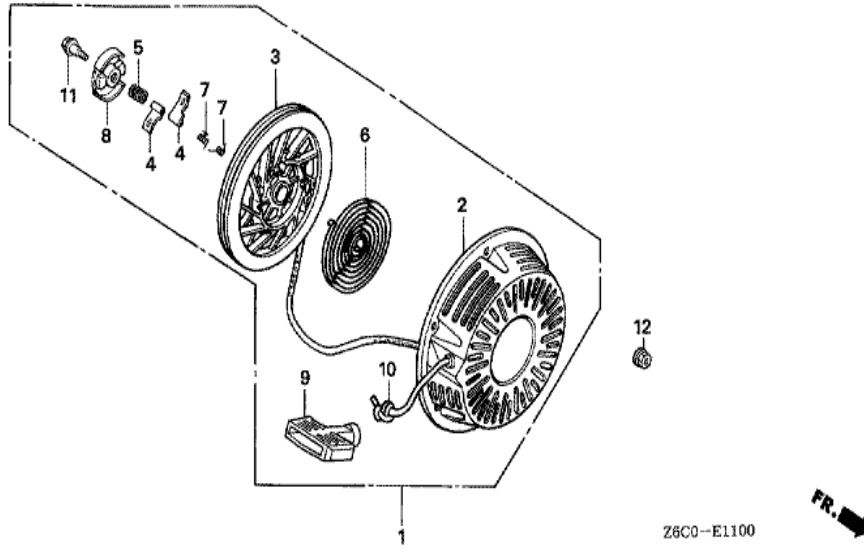


GX610U1(QZB2)

E-11 RECOIL STARTER

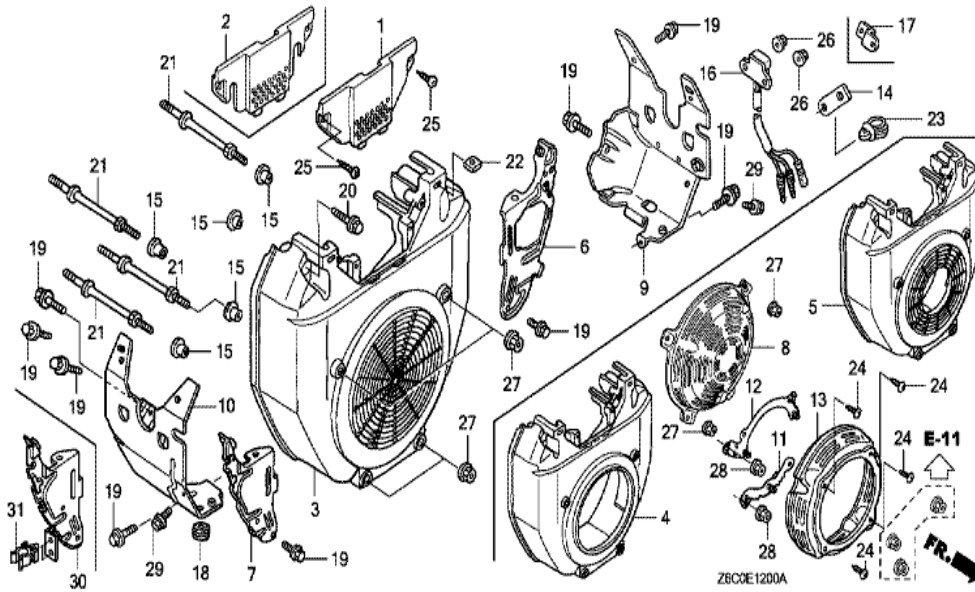


Z6C0-E1100

<u>Ref</u>	<u>Partnumber</u>	<u>Description</u>	<u>GX610U1</u>	<u>Serial Numbers</u>
001	28400-ZE3-W02ZP	STARTER ASSY., RECOIL *R280*	1	1036701
002	28410-ZE3-W01ZP	CASE COMP., RECOIL STARTER *R280 *	1	
003	28421-ZE3-W01	PULLEY, RECOIL STARTER	1	
004	28422-ZE2-W01	RATCHET, STARTER	2	
005	28441-ZE2-W01	SPRING, FRICTION	1	
006	28442-ZE2-W01	SPRING, STARTER RETURN	1	
007	28443-ZE2-W01	SPRING, RATCHET	2	
008	28444-ZE2-W01	RETAINER, SPRING	1	
009	28461-ZE2-W03	GRIP, STARTER	1	1036701
010	28462-ZE3-W01	ROPE, RECOIL STARTER	1	
011	90004-ZE2-W01	SCREW, CENTER	1	
012	94050-06070	NUT, FLANGE, 6MM	3	

GX610U1(QZB2)

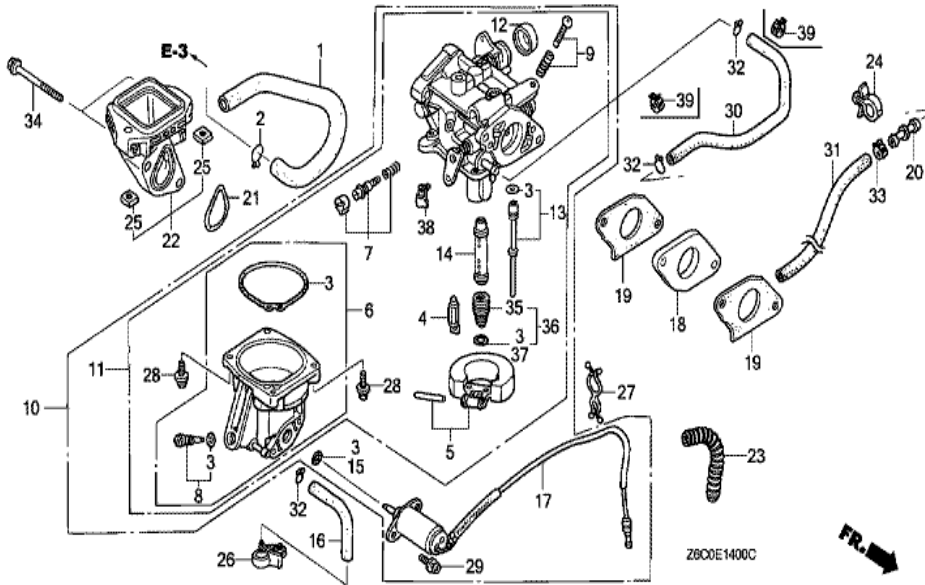
E-12 FAN COVER



<u>Ref</u>	<u>Partnumber</u>	<u>Description</u>	<u>GX610U1</u>	<u>Serial Numbers</u>
002	16715-ZJ1-850	COVER, FUEL PUMP (MANUAL CONTROL)	1	
004	19611-ZJ1-850ZC	COVER, FAN (RECOIL STARTER) *R280 *	1	
006	19612-ZJ1-841	PLATE, SIDE	1	
007	19614-ZJ1-841	PLATE, SIDE	1	
009	19631-ZJ1-850	SHROUD (OIL ALERT)	1	
010	19632-ZJ1-841	SHROUD	1	
011	28491-ZJ1-840	STAY A, RECOIL STARTER	1	
012	28492-ZJ1-840	STAY B, RECOIL STARTER	1	
013	28496-ZJ1-840ZC	COVER, RECOIL STARTER STAY *R280 *	1	
015	33713-GC2-000	COLLAR B, TAILLIGHT	6	
016	34150-ZJ1-843	ALERT UNIT, OIL	1	1022942
018	80101-310-000	RUBBER, RR. FENDER CUSHION	1	
019	90013-883-000	BOLT, FLANGE, 6X12 (CT200)	10	
<u>Ref</u>	<u>Partnumber</u>	<u>Description</u>	<u>GX610U1</u>	<u>Serial Numbers</u>
020	90018-ZE1-000	BOLT, FLANGE, 6X23 (CT200)	2	
021	90042-ZJ1-840	BOLT, STUD, 6X71	4	
022	90313-ZJ1-840	NUT, SQUARE, 5MM	2	
024	93903-35380	SCREW, TAPPING, 5X16	4	
025	93913-25580	SCREW, TAPPING, 5X20	2	
026	94050-05000	NUT, FLANGE, 5MM	2	
028	94050-06070	NUT, FLANGE, 6MM	4	
029	95701-0600800	BOLT, FLANGE, 6X8	2	

GX610U1(QZB2)

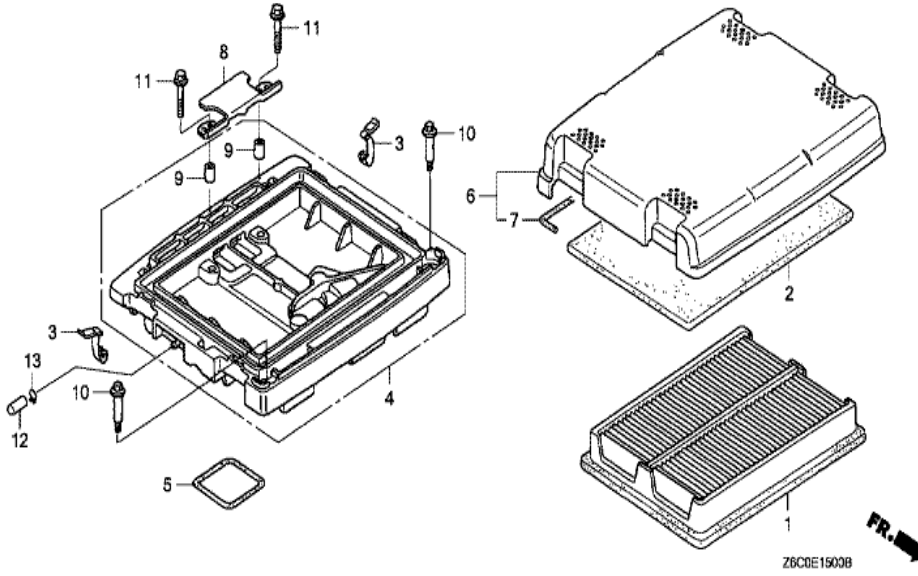
E-14 CARBURETOR



<u>Ref</u>	<u>Partnumber</u>	<u>Description</u>	<u>GX610U1</u>	<u>Serial Numbers</u>
001	12357-ZJ1-840	TUBE, BREATHER	1	
002	15772-551-000	CLIP, BREATHER TUBE	1	
003	16010-ZG8-000	GASKET SET	1	
004	16011-KCK-910	VALVE SET, FLOAT	1	
005	16013-ZV4-005	FLOAT SET	1	
006	16015-ZJ1-841	CHAMBER SET, FLOAT	1	
007	16016-ZJ1-010	SCREW SET	1	
008	16024-124-760	SCREW SET, DRAIN	1	
009	16028-ZG8-000	SCREW SET	1	
010	16100-ZJ0-832	CARBURETOR ASSY. (BG21H B/C)	1	1006704 1023649
010	16100-ZJ0-833	CARBURETOR ASSY. (BG21H C)	1	1023650
012	16148-141-881	CAP, CHOKE DUST	1	
013	16150-ZJ0-831	JET SET, #58	1	
<u>Ref</u>	<u>Partnumber</u>	<u>Description</u>	<u>GX610U1</u>	<u>Serial Numbers</u>
014	16166-ZJ0-831	NOZZLE, MAIN	1	
015	16178-548-004	O-RING, 5.8X1.9	1	
016	16198-ZJ1-840	TUBE, DRAIN	1	
017	16200-ZJ1-842	VALVE ASSY., SOLENOID	1	1023650
018	16211-ZJ0-841	INSULATOR, CARBURETOR	1	
019	16221-ZJ1-840	PACKING, CARBURETOR	2	
021	17228-ZG8-003	PACKING, AIR CLEANER	1	
022	17410-ZJ1-840	ELBOW COMP., AIR CLEANER	1	
025	90314-ZJ1-840	NUT, INSERT, 6MM	2	
026	90682-959-661	CLIP B, CABLE (9MM BLACK)	1	
027	91402-ZJ1-841	CLIP, PURSE LOCK	1	
028	93892-0401418	SCREW-WASHER, 4X14	4	
029	93892-0501218	SCREW-WASHER, 5X12	2	
032	95002-02080	CLIP, TUBE (B8)	1	
034	95801-0612000	BOLT, FLANGE, 6X120	2	
036	99201-ZG80880	JET SET, MAIN, #88	(1)	
036	99201-ZG80900	JET SET, MAIN, #90	(1)	
036	99201-ZG80920	JET SET, MAIN, #92	1	
038	16126-ZJ1-841	ARM, THROTTLE LINKAGE	1	

GX610U1(QZB2)

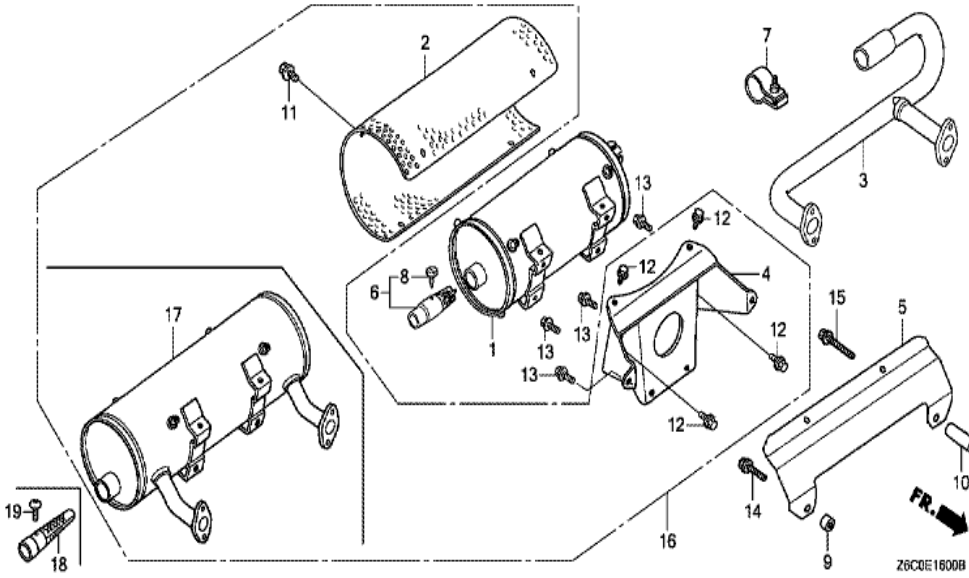
E-15 AIR CLEANER (1)



Ref	Partnumber	Description	GX610U1	Serial Numbers
001	17210-ZJ1-842	ELEMENT COMP., AIR CLEANER	1	
002	17218-ZJ1-840	FILTER, OUTER	1	
003	17219-ZJ1-840	CLIP, AIR CLEANER	4	
004	17220-Z6C-000	CASE COMP., AIR CLEANER	1	1026786
005	17229-ZJ1-840	SEAL, AIR CLEANER CASE	1	
006	17230-ZJ1-841	COVER ASSY., AIR CLEANER	1	1036956
007	17233-ZJ1-840	SEAL, AIR CLEANER COVER	1	
008	17234-ZJ1-840	PLATE, AIR CLEANER SETTING	1	
009	17238-ZJ4-830	COLLAR A, AIR CLEANER	2	
010	90003-ZJ1-840	BOLT, SPECIAL, 5MM	2	
011	95701-0602800	BOLT, FLANGE, 6X28	2	
012	90634-ZL8-H00	CAP, SEALING	1	1026786
013	95002-02100	CLIP, TUBE (B10)	1	1026786

GX610U1(QZB2)

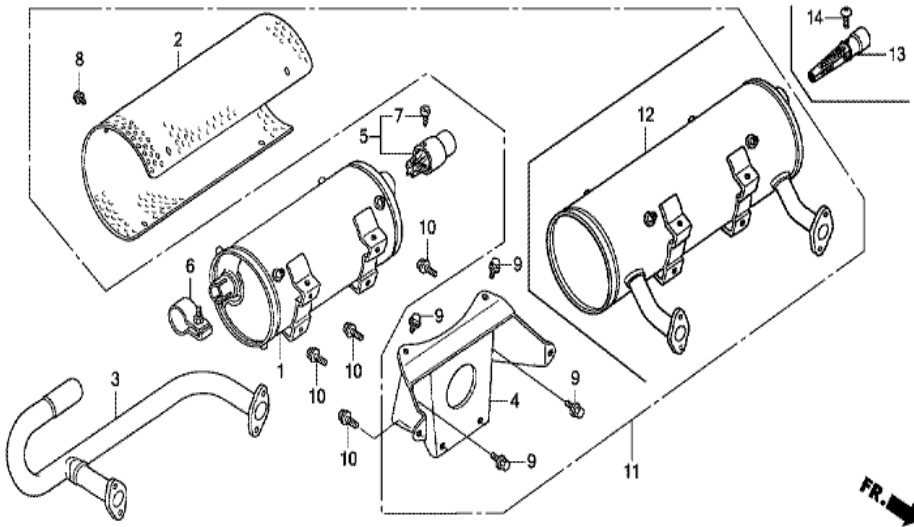
E-16 MUFFLER (1)



<u>Ref</u>	<u>Partnumber</u>	<u>Description</u>	<u>GX610U1</u>	<u>Serial Numbers</u>
001	18310-ZJ1-013	MUFFLER COMP. (HIGH) (NELSON) (BLACK MUF	(1)	
002	18321-ZJ1-003	PROTECTOR, MUFFLER (HIGH) (FUTABA)	(1)	
002	18321-ZJ1-010	PROTECTOR, MUFFLER (HIGH) (FUTABA)	(1)	
003	18330-ZJ1-841	PIPE COMP., EX. (HIGH-R)	(1)	
004	18338-ZJ1-000	STAY, MUFFLER (HIGH-FUTABA)	(1)	
004	18338-ZJ1-841	STAY, MUFFLER (HIGH)	(1)	
006	18355-ZJ1-003	ARRESTER, SPARK	(1)	
007	18396-ZJ1-003	BAND ASSY.	(1)	
008	90009-ZJ1-801	SCREW (NELSON)	(1)	
011	95701-0600800	BOLT, FLANGE, 6X8	(6)	
012	95701-0801400	BOLT, FLANGE, 8X14	(4)	
013	95701-0802000	BOLT, FLANGE, 8X20	(4)	
016	18300-ZJ1-881	MUFFLER ASSY. (HIGH-R) (FUTABA) (SILVER	(1)	
<u>Ref</u>	<u>Partnumber</u>	<u>Description</u>	<u>GX610U1</u>	<u>Serial Numbers</u>
017	18310-ZJ1-004	MUFFLER COMP. (HIGH-R) (FUTABA) (SILVER	(1)	
018	18355-ZJ1-010	ARRESTER, SPARK	(1)	
019	90007-Z6L-000	SCREW, TAPPING, 5X8	(1)	

GX610U1(QZB2)

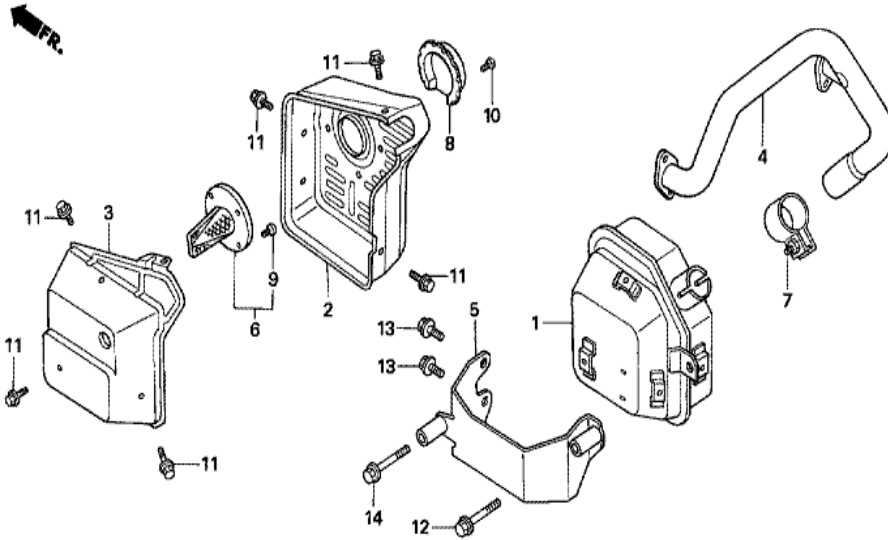
E-16-1 MUFFLER (2)



Z6CCE1601B

GX610U1(QZB2)

E-16-2 MUFFLER (3)

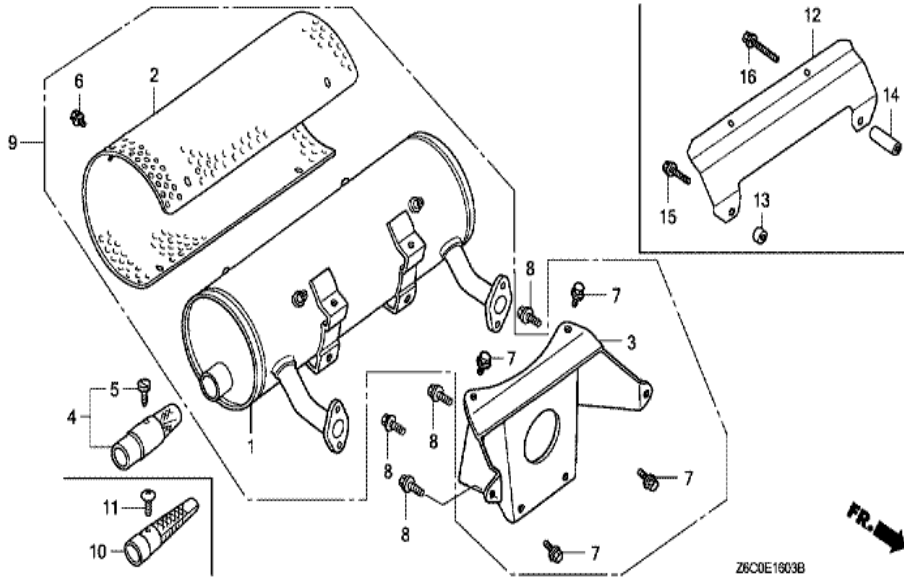


Z6C0-E1602

<u>Ref</u>	<u>Partnumber</u>	<u>Description</u>	<u>GX610U1</u>	<u>Serial Numbers</u>
001	18310-ZJ1-801	MUFFLER COMP. (SIDE-L) (FUTABA) (SILVER)	(1)	
002	18321-ZJ1-841	PROTECTOR, MUFFLER (SIDE-L)	(1)	
003	18325-ZJ1-801	PROTECTOR, RR. MUFFLER (SIDE-L)	(1)	
004	18330-ZJ1-861	PIPE COMP., EX. (SIDE-L)	(1)	
005	18338-ZJ1-851	STAY, MUFFLER (SIDE-L)	(1)	
006	18355-ZJ1-801	ARRESTER, SPARK	(1)	
007	18396-ZJ1-003	BAND ASSY.	(1)	
008	18431-ZJ1-801	DEFLECTOR, MUFFLER	(1)	
009	90009-ZJ1-801	SCREW (NELSON)	(4)	
010	93903-34110	SCREW, TAPPING, 4X8	(4)	
011	95701-0600800	BOLT, FLANGE, 6X8	(7)	
012	95701-0605000	BOLT, FLANGE, 6X50	(1)	
013	95701-0801400	BOLT, FLANGE, 8X14	(2)	
<u>Ref</u>	<u>Partnumber</u>	<u>Description</u>	<u>GX610U1</u>	<u>Serial Numbers</u>
014	95701-0805000	BOLT, FLANGE, 8X50	(1)	

GX610U1(QZB2)

E-16-3 MUFFLER (4)

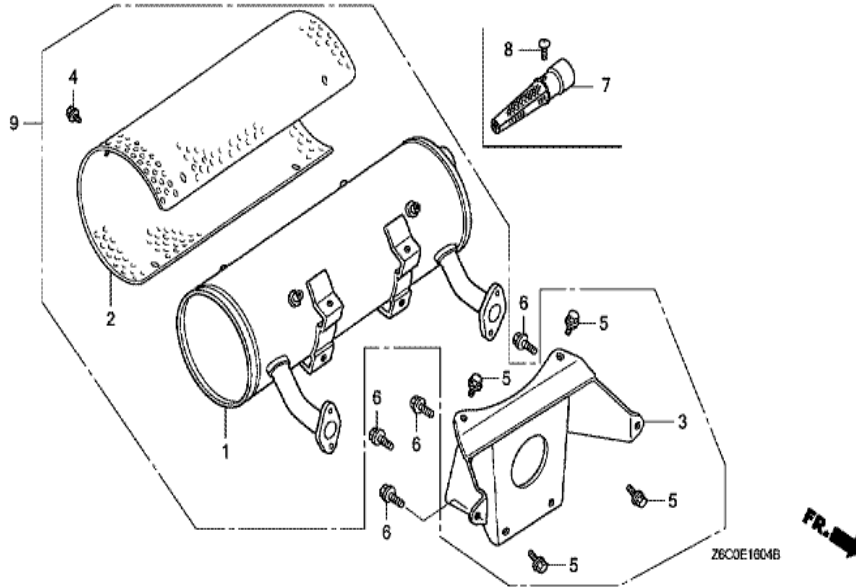


<u>Ref</u>	<u>Partnumber</u>	<u>Description</u>	<u>GX610U1</u>	<u>Serial Numbers</u>
002	18321-ZJ1-010	PROTECTOR, MUFFLER (HIGH) (FUTABA)	(1)	1037404
009	18300-ZJ1-881	MUFFLER ASSY. (HIGH-R) (FUTABA) (SILVER	(1)	1037404



GX610U1(QZB2)

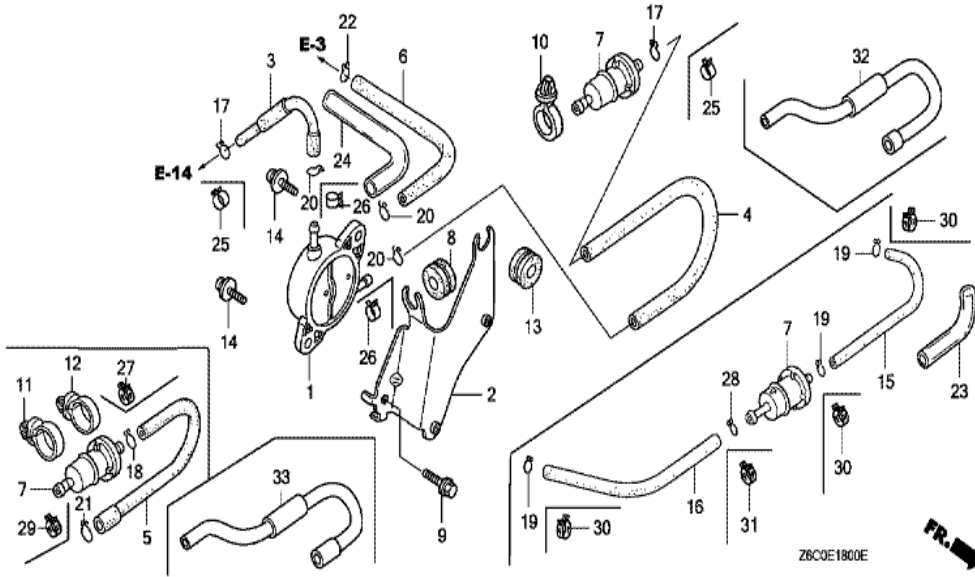
E-16-4 MUFFLER (5)



<u>Ref</u>	<u>Partnumber</u>	<u>Description</u>	<u>GX610U1</u>	<u>Serial Numbers</u>
001	18310-ZJ1-802	MUFFLER COMP. (HIGH-L) (FUTABA) (SILVER	(1)	1032423
002	18321-ZJ1-000	PROTECTOR, MUFFLER (HIGH) (FUTABA)	(1)	1032423 1037403
002	18321-ZJ1-010	PROTECTOR, MUFFLER (HIGH) (FUTABA)	(1)	1037404
003	18338-ZJ1-000	STAY, MUFFLER (HIGH-FUTABA)	(1)	1032423
004	95701-0600800	BOLT, FLANGE, 6X8	(6)	1032423
005	95701-0801400	BOLT, FLANGE, 8X14	(4)	1032423
006	95701-0802000	BOLT, FLANGE, 8X20	(4)	1032423
007	18355-ZJ1-000	ARRESTER, SPARK	1	1032423
007	18355-ZJ1-010	ARRESTER, SPARK	(1)	1032423
008	90007-Z6L-000	SCREW, TAPPING, 5X8	(1)	1032423
008	93901-250J0	SCREW, TAPPING, 5X8	1	1097117

GX610U1(QZB2)

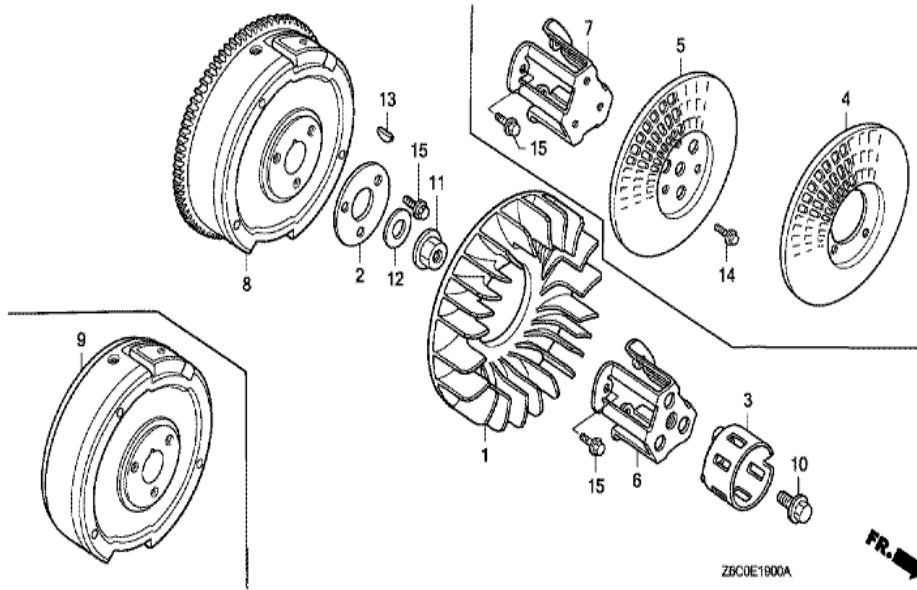
E-18 FUEL PUMP



<u>Ref</u>	<u>Partnumber</u>	<u>Description</u>	<u>GX610U1</u>	<u>Serial Numbers</u>	
001	16700-ZL8-013	PUMP ASSY., FUEL	1		
002	16711-ZJ1-840	STAY, FUEL PUMP	1		
003	16850-Z6C-841	TUBE COMP. A, FUEL (FKM)	1	1002961	1030438
003	16850-Z6C-842	TUBE COMP. A, FUEL (FKM)	1	1030439	
004	16852-Z6C-841	TUBE B, FUEL (FKM)	1	1002961	1024909
006	16882-ZJ1-840	TUBE, DIAPHRAGM	1		
007	16910-ZE8-015	STRAINER COMP., FUEL	1		
008	19111-MF5-000	GROMMET, RESERVE TANK	1		
009	90014-952-000	BOLT, FLANGE, 6X14 (CT200)	1		
010	90617-SA0-003	CLIP, WIRE HARNESS	1		
013	91601-ZJ1-840	GROMMET, PUMP STAY	1		
014	93894-0601600	SCREW-WASHER, 6X16	2		
020	95002-02100	CLIP, TUBE (B10)	1	1002961	
<u>Ref</u>	<u>Partnumber</u>	<u>Description</u>	<u>GX610U1</u>	<u>Serial Numbers</u>	
025	95002-4080008	CLAMP, TUBE (D8)	2	1002961	
026	95002-4085008	CLAMP, TUBE (D8.5)	2	1002961	
032	16855-Z6C-841	TUBE COMP. B, FUEL (FKM)	1	1024910	1030438
032	16855-Z6C-842	TUBE COMP. B, FUEL (FKM)	1	1030439	

GX610U1(QZB2)

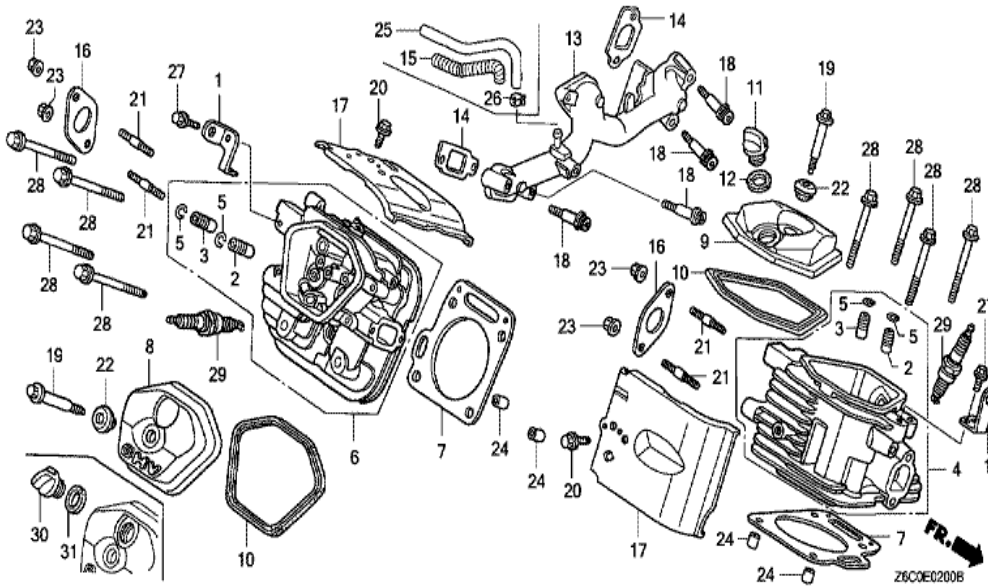
E-19 FLYWHEEL



<u>Ref</u>	<u>Partnumber</u>	<u>Description</u>	<u>GX610U1</u>	<u>Serial Numbers</u>
001	19511-ZJ1-000	FAN, COOLING	1	
003	28451-ZJ1-801	PULLEY, STARTER	1	
004	28452-ZJ1-811	GRID, SCREEN (P.T.O.)	(1)	
006	28453-ZJ1-801	SPACER, STARTER PULLEY MOUNTING	1	
007	28454-ZJ1-801	HOLDER, SCREEN GRID	(1)	
008	31110-ZJ1-840	FLYWHEEL COMP.	1	
010	90013-ZJ1-800	BOLT, UBS, 12X28	1	
011	90201-ZG3-000	NUT, FLANGE, 20MM	1	
012	90401-ZG3-000	WASHER, 20MM	1	
013	90741-ZE2-000	KEY, SPECIAL WOODRUFF, 25X18	1	
015	95701-0801600	BOLT, FLANGE, 8X16	3	

GX610U1(QZB2)

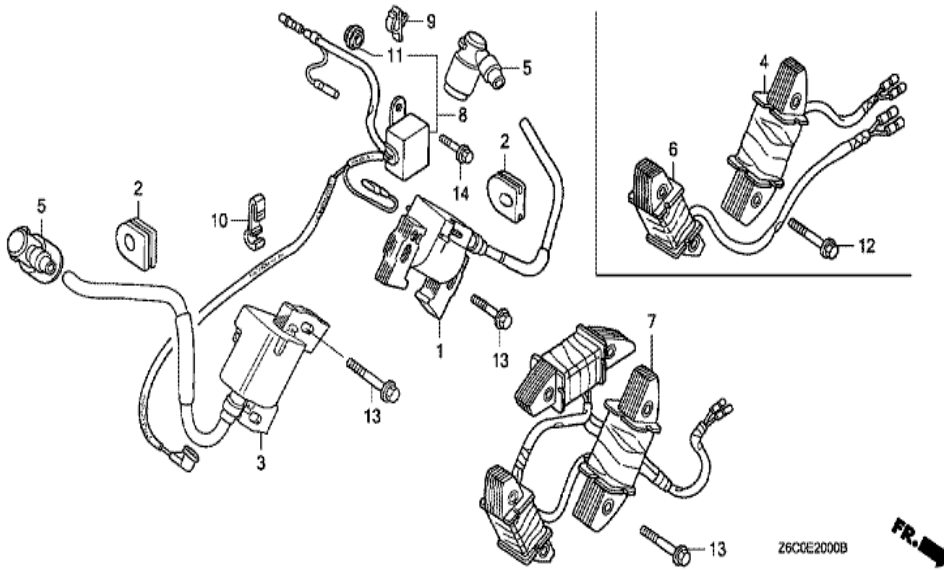
E-2 CYLINDER HEAD



<u>Ref</u>	<u>Partnumber</u>	<u>Description</u>	<u>GX610U1</u>	<u>Serial Numbers</u>
001	11911-ZJ1-840	HANGER, ENGINE	2	
002	12204-ZE2-306	GUIDE, IN. VALVE (O.S.)	2	
003	12205-ZJ1-405	GUIDE, EX. VALVE (O.S.)	2	
004	12210-ZJ1-406	HEAD COMP., CYLINDER (#1)	1	
005	12216-ZE2-300	CLIP, VALVE GUIDE	4	
006	12220-ZJ1-405	HEAD COMP., CYLINDER (#2)	1	
007	12251-ZJ1-841	GASKET, CYLINDER HEAD	2	
008	12311-ZJ1-840	COVER, HEAD	1	
009	12314-ZJ1-840	COVER, HEAD FILLER	1	
010	12391-ZE2-020	PACKING, HEAD COVER	2	
011	15611-MB0-000	CAP, OIL FILLER	1	
012	15625-ZJ1-840	PACKING, OIL FILLER CAP	1	
013	17101-ZJ1-840	MANIFOLD, INTAKE	1	
<u>Ref</u>	<u>Partnumber</u>	<u>Description</u>	<u>GX610U1</u>	<u>Serial Numbers</u>
014	17151-ZJ1-841	GASKET, INTAKE MANIFOLD	2	
017	19682-ZJ1-840	SHROUD, HEAD	2	
018	90011-ZJ1-841	BOLT, SOCKET, 8X45	4	
019	90014-ZE2-000	BOLT, HEAD COVER	2	
020	90014-952-000	BOLT, FLANGE, 6X14 (CT200)	2	
021	90018-ZJ1-840	BOLT, STUD, 8X22	4	
022	90441-ZE2-010	WASHER COMP., HEAD COVER	2	
024	94301-12200	DOWEL PIN, 12X20	4	
027	95701-0802000	BOLT, FLANGE, 8X20	2	
028	95701-1008000	BOLT, FLANGE, 10X80	8	
029	98079-52876	PLUG, SPARK (BPR2ES) (NGK)	(2)	
029	98079-5485V	PLUG, SPARK (J14CR-U) (DENSO)	(2)	
029	98079-5487V	PLUG, SPARK (ZGR4A) (NGK)	(2)	
029	98079-5585V	PLUG, SPARK (J16CR-U) (DENSO)	2	
029	98079-5587V	PLUG, SPARK (ZGR5A) (NGK)	2	

GX610U1(QZB2)

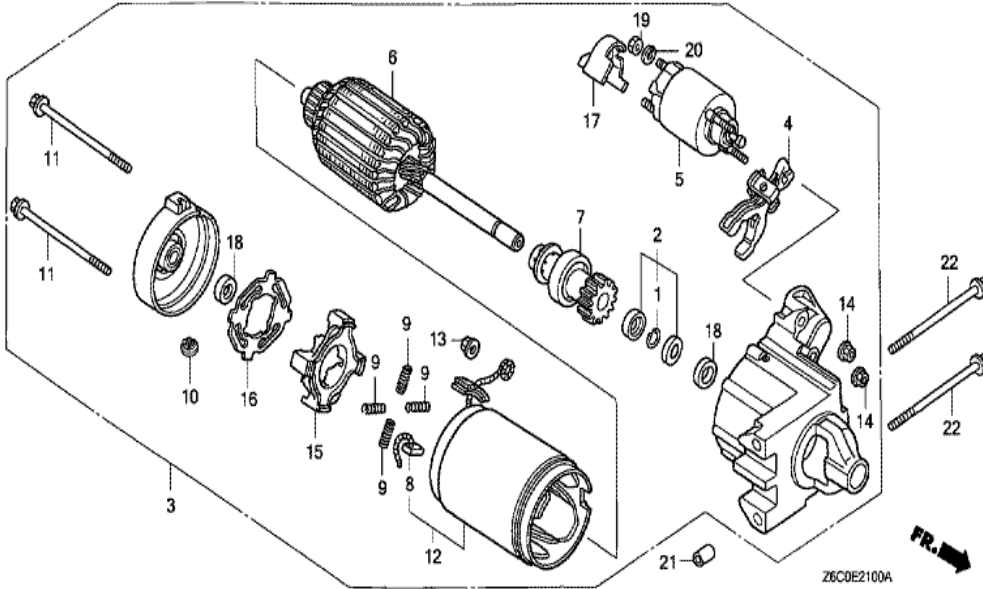
E-20 IGNITION COIL



<u>Ref</u>	<u>Partnumber</u>	<u>Description</u>	<u>GX610U1</u>	<u>Serial Numbers</u>
001	30500-ZJ1-845	COIL ASSY., IGNITION (BLACK) (200MM)	1	1020629
002	30518-ZJ1-000	GROMMET, HIGH TENSION CORD	2	
003	30550-ZJ1-845	COIL ASSY., IGNITION (GRAY) (215MM)	1	1020629
005	30700-ZJ1-841	CAP ASSY., NOISE SUPPRESSOR	2	
007	31630-ZJ1-802	COIL ASSY., CHARGE (12V/20A)	1	1020641
008	31740-ZJ1-862	DIODE ASSY., ENGINE STOP	1	1022506
009	32171-GJ1-003	CLIP, WIRE HARNESS	1	
010	32763-PA0-000	CLAMP, CORD	1	
011	63312-ZA7-000	GROMMET, TOOL	1	
013	90031-ZE1-000	BOLT, FLANGE, 6X32 (CT200)	8	
014	95701-0600800	BOLT, FLANGE, 6X8	1	

GX610U1(QZB2)

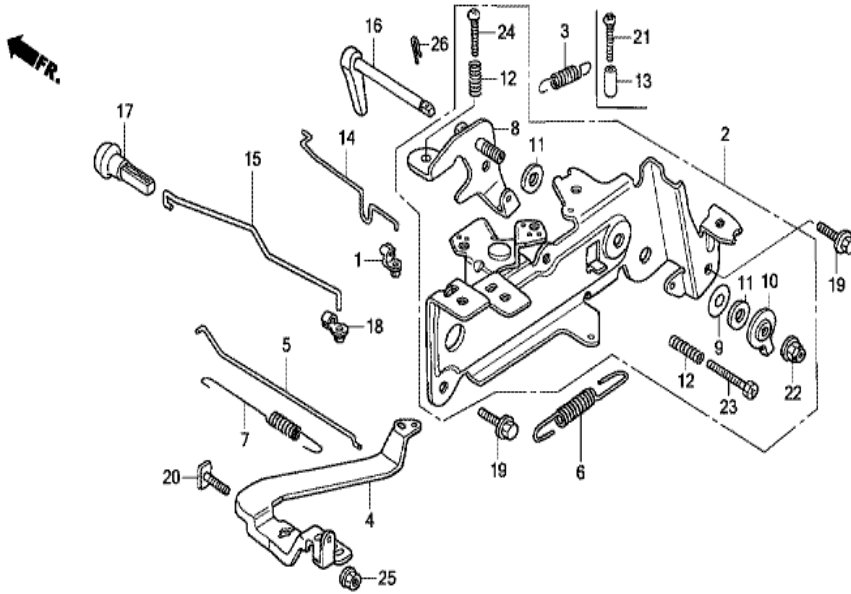
E-21 STARTER MOTOR



<u>Ref</u>	<u>Partnumber</u>	<u>Description</u>	<u>GX610U1</u>	<u>Serial Numbers</u>
001	30201-PH9-004	RING, SNAP (DENSO)	1	
002	30202-PZ1-003	COLLAR SET, CLUTCH STOP	1	
003	31200-ZJ1-842	MOTOR ASSY., STARTER	1	1022942
004	31203-PH9-004	LEVER, PINION DRIVE	1	
005	31204-ZJ1-H02	SWITCH ASSY., MAGNET	1	1022942
006	31206-ZG4-801	ARMATURE COMP.	1	
007	31207-ZJ1-H01	CLUTCH COMP., OVERRUNNING	1	
008	31211-PH9-004	BRUSH	4	
009	31212-PH9-004	SPRING, BRUSH	4	
010	31213-P64-N01	COVER	1	
011	31214-PH9-004	BOLT, THROUGH	2	
012	31218-P64-N01	YOKE COMP.	1	
013	31220-PH9-004	NUT, HEX., 8MM	1	
<u>Ref</u>	<u>Partnumber</u>	<u>Description</u>	<u>GX610U1</u>	<u>Serial Numbers</u>
014	31223-PA0-006	NUT, HEX. (6MM)	2	
015	31231-PH9-004	HOLDER, BRUSH	1	
016	31233-PH9-004	INSULATOR, BRUSH HOLDER	1	
017	31234-ZJ1-H02	COVER, TERMINAL	1	1022942
018	91002-ZG4-801	BEARING A	2	
019	94001-082000S	NUT, HEX., 8MM	1	
020	94111-08000	WASHER, SPRING, 8MM	1	
021	94301-10120	DOWEL PIN, 10X12	2	
022	95701-0811000	BOLT, FLANGE, 8X110	2	

GX610U1(QZB2)

E-22-1 CONTROL (2)

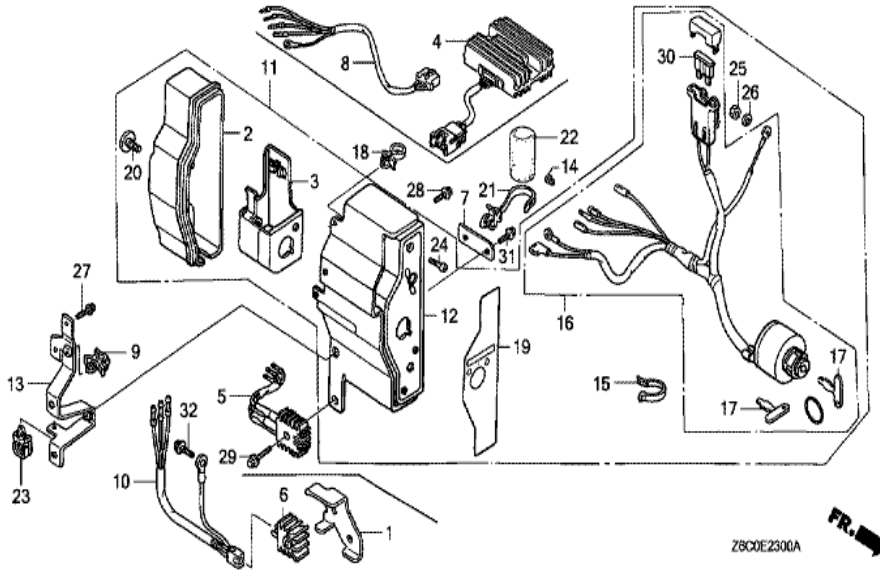


Z6C0E2201A

<u>Ref</u>	<u>Partnumber</u>	<u>Description</u>	<u>GX610U1</u>	<u>Serial Numbers</u>
001	16263-883-W10	JOINT, ROD	1	
002	16500-ZJ1-851	CONTROL ASSY.	1	
003	16534-ZJ1-840	SPRING, STARTER	1	
004	16551-ZJ1-840	ARM, GOVERNOR	1	
005	16555-ZJ1-840	ROD, GOVERNOR	1	
006	16561-ZJ1-850	SPRING, GOVERNOR (MANUAL)	1	
007	16562-ZJ1-840	SPRING, THROTTLE RETURN	1	
008	16570-ZJ1-851	ARM COMP., CONTROL	1	
009	16574-883-300	SPRING, LEVER	1	
010	16575-ZJ1-850	WASHER, CONTROL ARM	1	
011	16576-883-300	SPACER, CONTROL LEVER	2	
012	16584-883-300	SPRING, CONTROL ADJUSTING	2	
014	16611-ZJ1-840	ROD, CHOKE CONTROL	1	
<u>Ref</u>	<u>Partnumber</u>	<u>Description</u>	<u>GX610U1</u>	<u>Serial Numbers</u>
015	16628-ZJ1-850	ROD, CHOKE KNOB	1	
016	17850-ZJ1-850	LEVER ASSY., THROTTLE	1	
017	17951-921-030	KNOB, CHOKE	1	
018	17957-ZV4-000	BUSH, LINKAGE	1	
019	90014-952-000	BOLT, FLANGE, 6X14 (CT200)	2	
020	90015-ZE3-790	BOLT, GOVERNOR ARM	1	
022	90114-SA0-000	NUT, SELF-LOCK, 6MM	1	
023	92301-050250A	BOLT, RECESSED, 5X25	1	
024	93500-050250A	SCREW, PAN, 5X25	1	
025	94050-06000	NUT, FLANGE, 6MM	1	
026	94251-10000	PIN, LOCK, 10MM	1	

GX610U1(QZB2)

E-23 CONTROL BOX

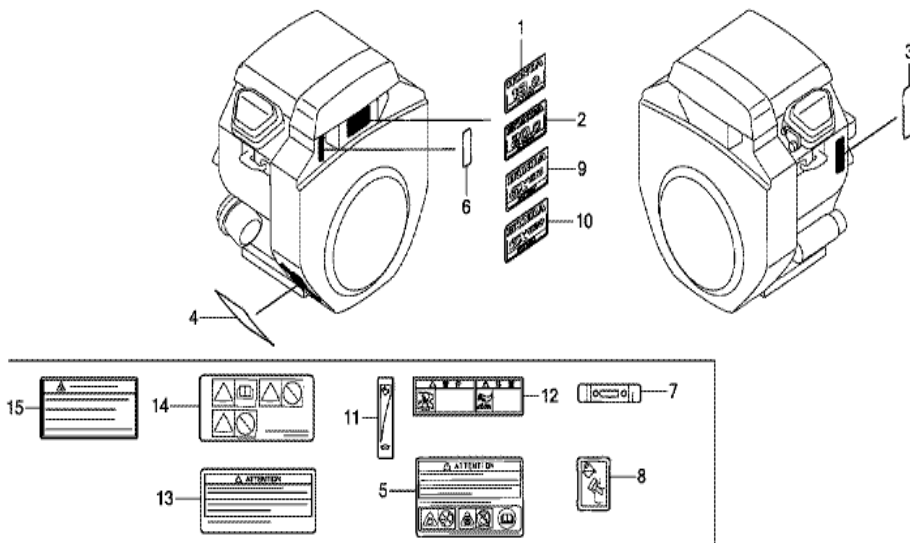


<u>Ref</u>	<u>Partnumber</u>	<u>Description</u>	<u>GX610U1</u>	<u>Serial Numbers</u>
002	31612-ZE2-003	CASE, CONTROL	1	
003	31614-ZE2-003	BRACKET, CASE MOUNTING	1	
004	31620-ZG5-023	RECTIFIER ASSY., REGULATOR (20A)	1	1019920 1025887
004	31620-ZG5-033	RECTIFIER ASSY., REGULATOR (20A)	1	1025888
007	32103-759-000	BRACKET, WIRE HARNESS CLIP	1	
008	32105-ZJ1-800	HARNESS ASSY., SUB WIRE	1	
009	32171-GJ1-003	CLIP, WIRE HARNESS	1	
011	32340-Z6D-832	BOX ASSY., CONTROL	1	1023670
012	32345-ZJ1-812	PANEL COMP., CONTROL	1	
013	32349-ZJ1-840	STAY, CONTROL BOX	1	
015	32902-892-003	BAND	1	
016	35100-ZJ1-842	SWITCH ASSY., COMBINATION	1	1023670
017	35111-880-013	KEY COMP. (HONDA LOCK)	2	
<u>Ref</u>	<u>Partnumber</u>	<u>Description</u>	<u>GX610U1</u>	<u>Serial Numbers</u>
018	36103-ZE1-000	HOLDER, STOP SWITCH CORD	1	
019	87529-Z4S-820	MARK, CONTROL BOX (EXP)	1	
020	90380-MA6-010	SCREW, SPECIAL, 6X12	1	
021	90676-SA8-003	BAND, WIRE HARNESS, 150MM (BLUE)	1	
021	91558-SD5-003	CLIP, WIRE HARNESS (BLACK)	1	
022	91408-ZJ1-810	TUBE, CORD, 30MM	1	
023	91504-750-003	CLIP, WIRE HARNESS (BLACK)	1	
024	93500-040120H	SCREW, PAN, 4X12	1	
025	94001-043900S	NUT, HEX., 4MM	1	1007662
026	94111-04800	WASHER, SPRING, 4MM	1	
027	95701-0601000	BOLT, FLANGE, 6X10	1	
030	98200-32500	FUSE, BLADE (25A)	1	
031	95701-0601200	BOLT, FLANGE, 6X12	1	



GX610U1(QZB2)

E-28 LABEL

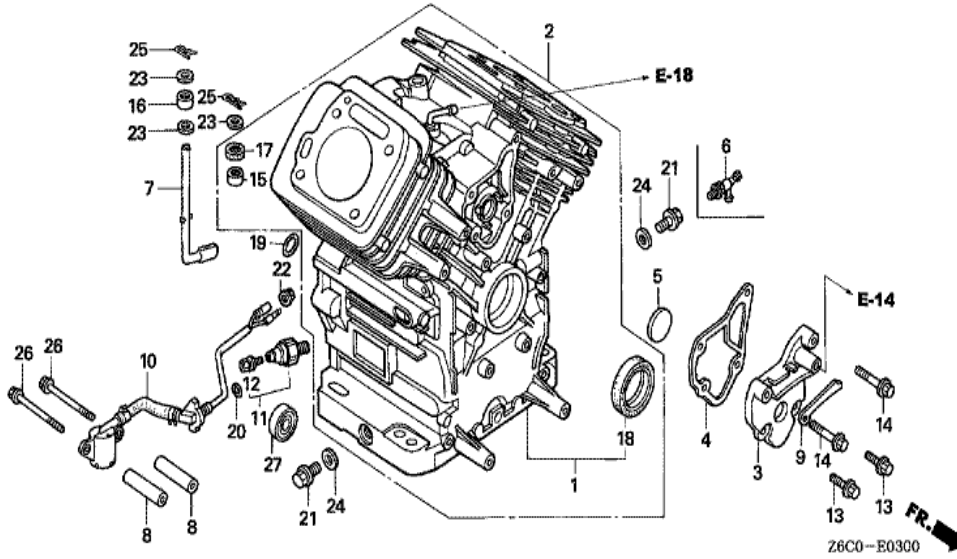


Z6CGE2800F

<u>Ref</u>	<u>Partnumber</u>	<u>Description</u>	<u>GX610U1</u>	<u>Serial Numbers</u>
003	87152-ZJ0-010	LABEL, SPECIFICATION (GX610)	1	
004	87516-ZH7-010	MARK, OPERATOR CAUTION (ENGLISH) (MADE I	1	1036508
006	87532-ZH7-800	MARK, THROTTLE INDICATION	1	
009	87101-ZJ0-832	EMBLEM (GX610)	1	1020629
013	87516-ZH7-801	MARK, OPERATOR CAUTION (FRENCH) (MADE IN	1	1036508
014	87519-ZH7-000	MARK, OPERATOR CAUTION (PICTOGRAPH)	1	1036508

GX610U1(QZB2)

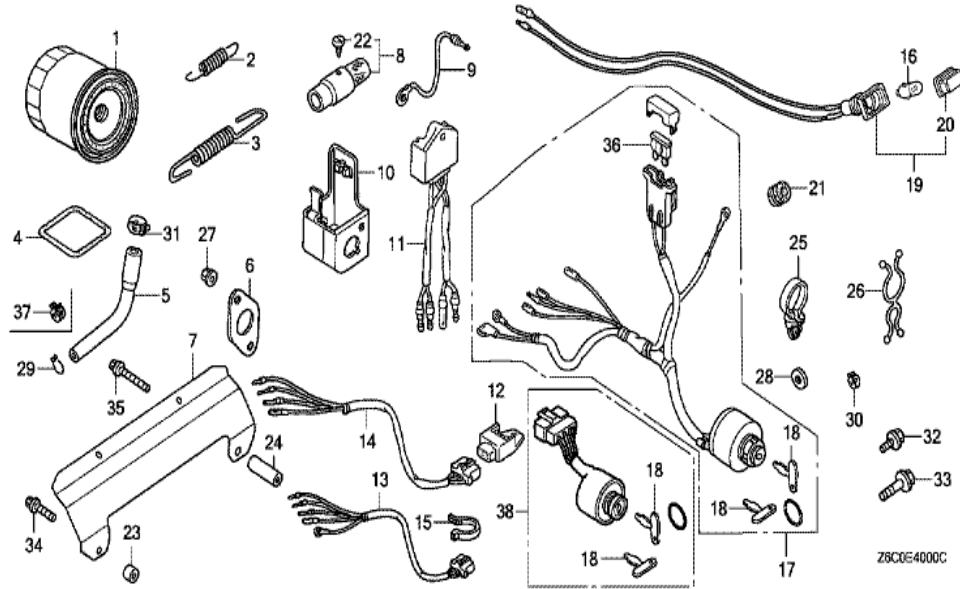
E-3 CYLINDER BARREL



<u>Ref</u>	<u>Partnumber</u>	<u>Description</u>	<u>GX610U1</u>	<u>Serial Numbers</u>
002	12000-ZJ1-416	BARREL ASSY., CYLINDER	1	1026786
003	12356-ZJ1-000	COVER, BREATHER	1	
004	12358-ZJ1-000	PACKING, BREATHER COVER	1	
005	12372-ZE2-300	VALVE, BREATHER	1	
006	15558-ZJ1-003	VALVE, OIL SHUT-OFF	(1)	
007	16541-ZJ1-840	SHAFT, GOVERNOR ARM	1	
008	25523-VD6-010	COLLAR, FILTER SETTING	2	
009	31511-ZJ1-000	CLAMPER, CORD	1	
010	35480-ZJ1-842	SWITCH ASSY., OIL LEVEL	1	1023670
013	90029-888-000	BOLT, FLANGE, 6X16 (CT200)	2	
014	90031-ZE1-000	BOLT, FLANGE, 6X32 (CT200)	2	
015	91001-ZJ1-841	BEARING, NEEDLE, 8X12.7X11.1	1	
016	91002-ZJ1-841	BEARING, NEEDLE, 8X12X10	1	
<u>Ref</u>	<u>Partnumber</u>	<u>Description</u>	<u>GX610U1</u>	<u>Serial Numbers</u>
017	91201-ZE9-003	OIL SEAL, 8X14X5	1	
018	91201-ZJ1-841	OIL SEAL, 38X58X9	1	
019	91302-MB6-830	O-RING, 13X3.0	1	
020	91353-671-004	O-RING, 14MM (NOK)	1	
021	92800-14000	BOLT, DRAIN PLUG, 14MM	2	
022	94050-10000	NUT, FLANGE, 10MM	1	
023	94102-08800	WASHER, PLAIN, 8MM	3	
024	94109-14000	WASHER, DRAIN PLUG, 14MM	2	
025	94251-08000	PIN, LOCK, 8MM	2	
026	95701-0607509	BOLT, FLANGE, 6X75	2	
027	96140-6003010	BEARING, RADIAL BALL, 6003	1	

GX610U1(QZB2)

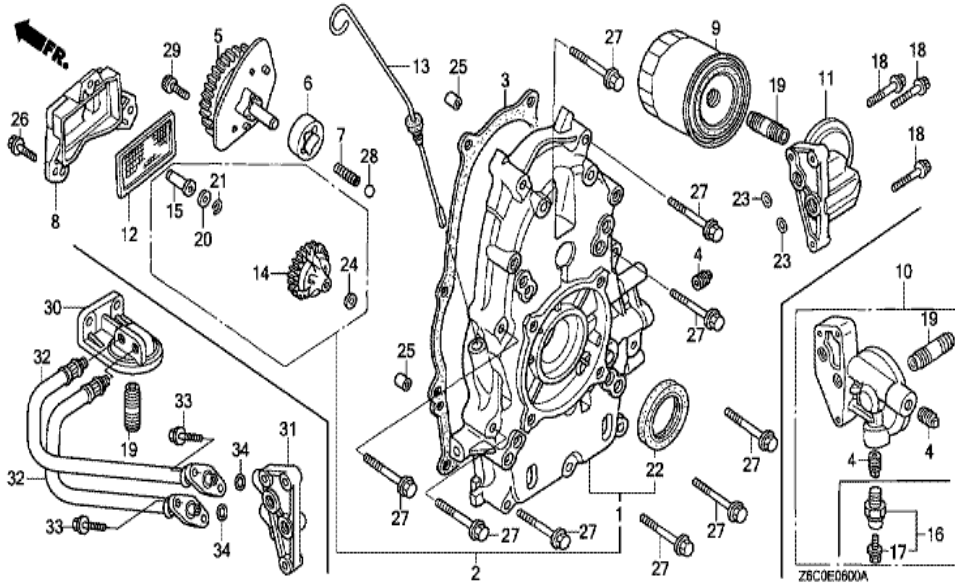
E-40 COMBINATION SWITCH



<u>Ref</u>	<u>Partnumber</u>	<u>Description</u>	<u>GX610U1</u>	<u>Serial Numbers</u>
006	18333-ZE3-800	GASKET, EX. PIPE	2	
027	94050-08000	NUT, FLANGE, 8MM	4	

GX610U1(QZB2)

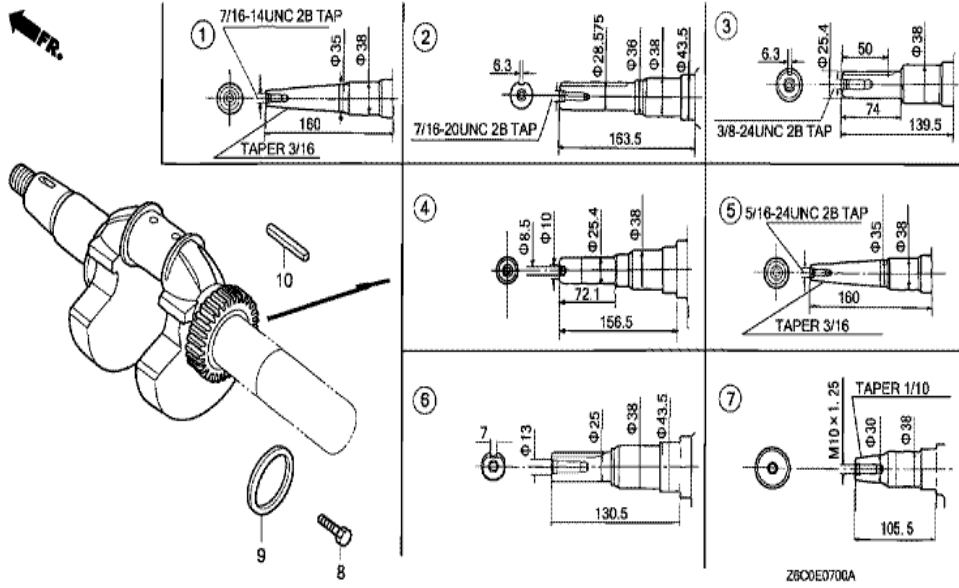
E-6 CRANKCASE COVER



<u>Ref</u>	<u>Partnumber</u>	<u>Description</u>	<u>GX610U1</u>	<u>Serial Numbers</u>
002	11300-ZJ1-843	COVER ASSY., CRANKCASE	1	1009791
003	11381-ZJ1-840	GASKET, CASE COVER	1	
004	12105-ZA0-701	BOLT, SEALING	3	
005	15120-ZJ1-010	COVER ASSY., OIL PUMP (THREE BOLTS)	1	1009791
006	15124-ZJ1-003	ROTOR, OIL PUMP OUTER	1	
007	15232-ZJ1-000	SPRING, RELIEF VALVE	1	
008	15348-ZJ1-840	COVER, OIL FILTER	1	
009	15400-ZJ1-004	CARTRIDGE, OIL FILTER (TOYO ROKI)	1	
010	15410-ZJ1-800	BASE COMP., OIL FILTER (A)	1	
012	15427-ZJ1-000	SCREEN, OIL FILTER	1	
013	15655-ZJ1-861	GAUGE COMP., OIL LEVEL	1	
014	16510-ZJ1-840	GOVERNOR ASSY.	1	
015	16531-Z0A-000	SLIDER, GOVERNOR	1	
<u>Ref</u>	<u>Partnumber</u>	<u>Description</u>	<u>GX610U1</u>	<u>Serial Numbers</u>
018	90014-ZE6-000	BOLT, FLANGE, 6X35 (CT200)	3	
019	90018-PN3-000	HOLDER, OIL FILTER	1	
020	90473-147-000	WASHER, 6X16	1	
021	90602-ZE1-000	CLIP, GOVERNOR HOLDER	1	
022	91202-ZJ1-841	OIL SEAL, 38X58X9	1	
023	91302-ZE9-003	O-RING, 11.8X2.4	2	
024	94101-06800	WASHER, PLAIN, 6MM	1	
025	94301-08140	DOWEL PIN, 8X14	2	
026	95701-0602000	BOLT, FLANGE, 6X20	3	
027	95701-0805000	BOLT, FLANGE, 8X50	9	
028	96211-12000	BALL, STEEL, #12 (3/8)	1	
029	96600-0601600	BOLT, SOCKET, 6X16	3	1009791

GX610U1(QZB2)

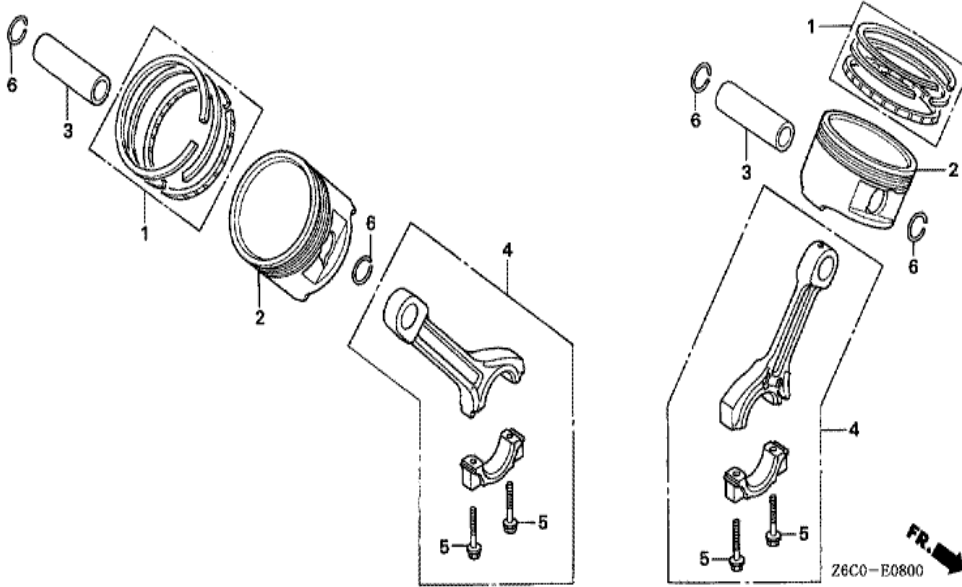
E-7 CRANKSHAFT



<u>Ref</u>	<u>Partnumber</u>	<u>Description</u>	<u>GX610U1</u>	<u>Serial Numbers</u>
003	13310-ZJ1-840	CRANKSHAFT COMP. (L=139.5)	1	
009	90401-ZJ1-000	WASHER, CRANKSHAFT THRUST (38.5X54.0X1.0)	1	

GX610U1(QZB2)

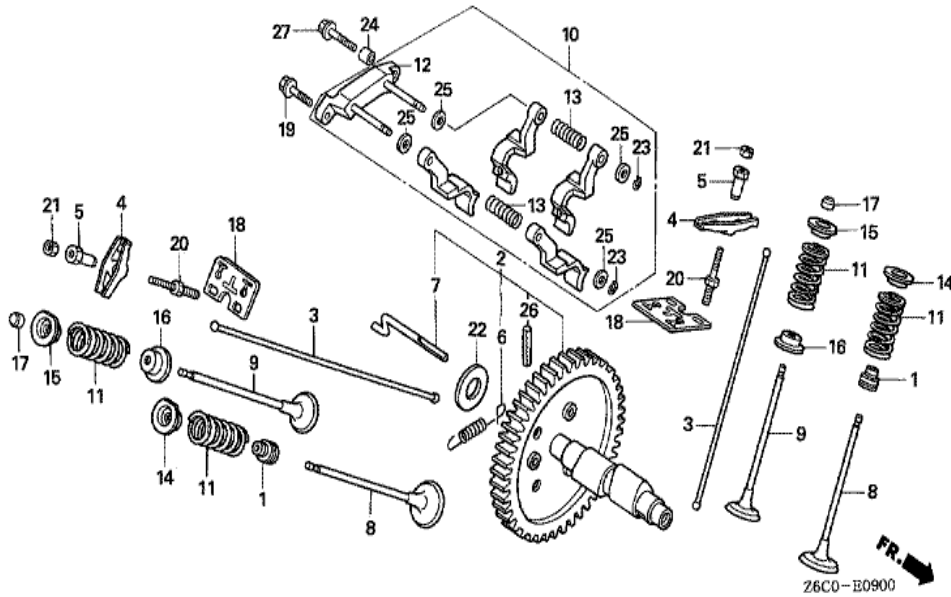
E-8 PISTON



<u>Ref</u>	<u>Partnumber</u>	<u>Description</u>	<u>GX610U1</u>	<u>Serial Numbers</u>
001	13010-Z5H-004	RING SET, PISTON (STD.) (TPR)	2	1026786
001	13011-Z5H-004	RING SET, PISTON (0.25) (TPR)	(2)	1026786
001	13012-Z5H-004	RING SET, PISTON (0.50) (TPR)	(2)	1026786
001	13013-Z5H-004	RING SET, PISTON (0.75) (TPR)	(2)	1026786
002	13101-ZJ1-841	PISTON (STD.)	2	1026786
002	13102-ZJ1-841	PISTON (0.25)	(2)	1026786
002	13103-ZJ1-841	PISTON (0.50)	(2)	1026786
002	13104-ZJ1-841	PISTON (0.75)	(2)	1026786
003	13111-ZJ1-840	PIN, PISTON	2	
004	13200-ZJ1-841	ROD ASSY., CONNECTING	2	
005	90001-ZN1-000	BOLT, CONNECTING ROD, 6X37	4	
006	90551-ZE1-000	CLIP, PISTON PIN, 18MM	4	

GX610U1(QZB2)

E-9 CAMSHAFT



Ref	Partnumber	Description	GX610U1	Serial Numbers
001	12209-ZE8-003	SEAL, VALVE STEM	2	
002	14100-ZJ1-842	CAMSHAFT ASSY.	1	
003	14410-ZJ1-840	ROD, PUSH	4	
004	14431-ZE2-010	ARM, VALVE ROCKER	4	
005	14451-ZE1-013	PIVOT, ROCKER ARM	4	
006	14568-ZJ1-841	SPRING, WEIGHT RETURN	1	
007	14576-ZJ1-840	PIN, DECOMPER	1	
008	14711-ZE3-000	VALVE, IN.	2	
009	14721-ZE3-000	VALVE, EX.	2	
010	14730-ZJ1-842	LIFTER ASSY., VALVE	1	1026770
011	14751-ZE2-003	SPRING, VALVE	4	
012	14760-ZJ1-840	SHAFT COMP., VALVE LIFTER	1	
013	14764-ZJ1-840	SPRING, VALVE LIFTER	2	
Ref	Partnumber	Description	GX610U1	Serial Numbers
014	14771-ZE2-000	RETAINER, IN. VALVE SPRING	2	
015	14773-ZE2-000	RETAINER, EX. VALVE SPRING	2	
016	14775-ZE2-010	SEAT, VALVE SPRING	2	
017	14781-ZE2-000	ROTATOR, VALVE	2	
018	14791-ZE2-010	GUIDE, PUSH ROD	2	
019	90005-896-000	BOLT, FLANGE, 5X16	1	
020	90012-ZE0-010	BOLT, PIVOT, 8MM	4	
021	90206-ZE1-000	NUT, PIVOT ADJUSTING	4	
022	90446-357-000	WASHER, THRUST, 17.2MM	1	
023	90602-ZE1-000	CLIP, GOVERNOR HOLDER	2	
024	90702-GB6-910	DOWEL PIN, 8X12	1	
025	94101-06800	WASHER, PLAIN, 6MM	4	
026	94305-60282	PIN, SPRING, 6X28	1	
027	95701-0602500	BOLT, FLANGE, 6X25	1	