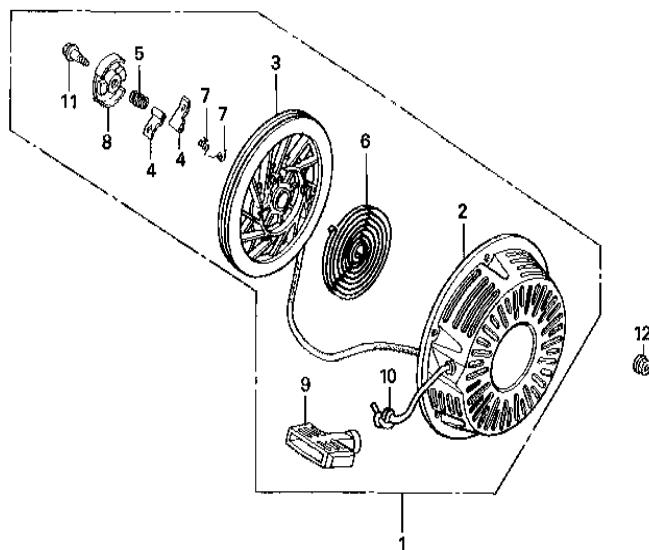


|              |                     |
|--------------|---------------------|
| GX620U1(QZB) | E-11 RECOIL STARTER |
|--------------|---------------------|

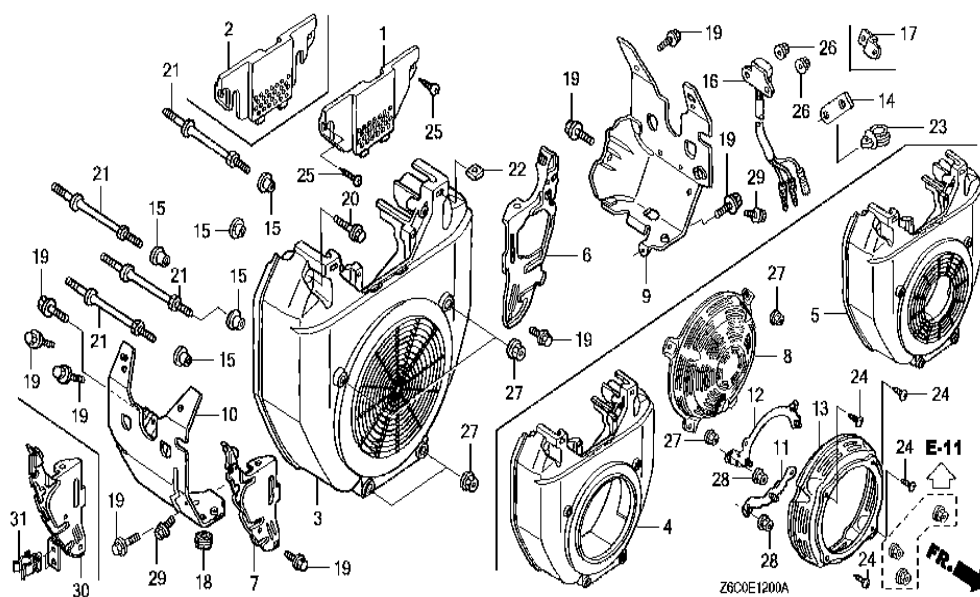


Z6C0-E1100

| Ref | Partnumber      | Description                      | GX620U1 | Serial Numbers |
|-----|-----------------|----------------------------------|---------|----------------|
| 001 | 28400-ZE3-W01ZB | STARTER ASSY., RECOIL *NH1*      | 1       |                |
| 001 | 28400-ZE3-W01ZP | STARTER ASSY., RECOIL *R280*     | 1       |                |
| 002 | 28410-ZE3-W01ZB | CASE COMP., RECOIL STARTER*NH1*  | 1       |                |
| 002 | 28410-ZE3-W01ZP | CASE COMP., RECOIL STARTER*R280* | 1       |                |
| 003 | 28421-ZE3-W01   | PULLEY, RECOIL STARTER           | 1       |                |
| 004 | 28422-ZE2-W01   | RATCHET, STARTER                 | 2       |                |
| 005 | 28441-ZE2-W01   | SPRING, FRICTION                 | 1       |                |
| 006 | 28442-ZE2-W01   | SPRING, STARTER RETURN           | 1       |                |
| 007 | 28443-ZE2-W01   | SPRING, RATCHET                  | 2       |                |
| 008 | 28444-ZE2-W01   | RETAINER, SPRING                 | 1       |                |
| 009 | 28461-ZE2-W02   | GRIP, STARTER                    | 1       |                |
| 010 | 28462-ZE3-W01   | ROPE, RECOIL STARTER             | 1       |                |
| 011 | 90004-ZE2-W01   | SCREW, CENTER                    | 1       |                |

| <u>Ref</u> | <u>Partnumber</u> | <u>Description</u> | <u>GX620U1</u> | <u>Serial Numbers</u> |
|------------|-------------------|--------------------|----------------|-----------------------|
| 012        | 94050-06070-      | NUT, FLANGE, 6MM   |                | 3                     |

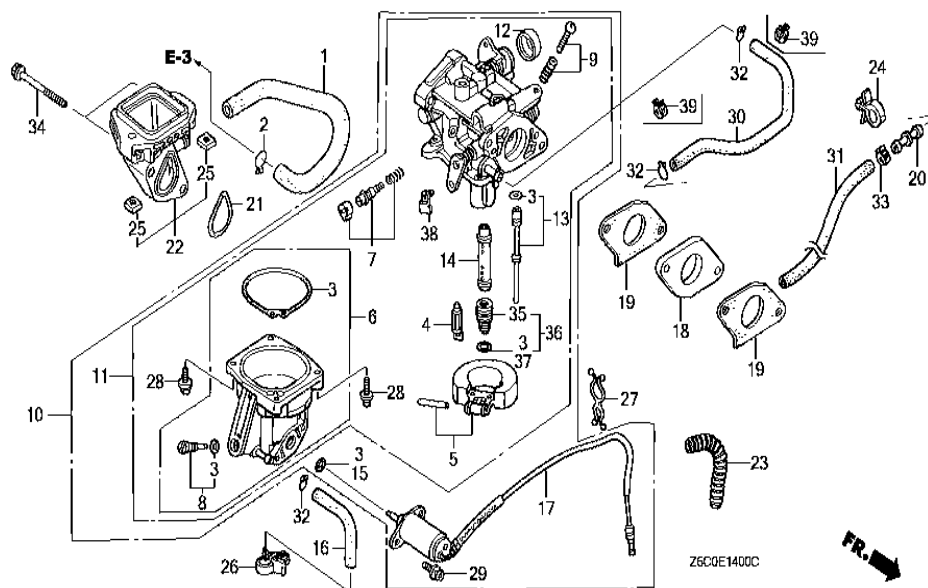
|              |                |
|--------------|----------------|
| GX620U1(QZB) | E-12 FAN COVER |
|--------------|----------------|



| Ref | Partnumber      | Description                       | GX620U1 | Serial Numbers |
|-----|-----------------|-----------------------------------|---------|----------------|
| 002 | 16715-ZJ1-850   | COVER, FUEL PUMP(MANUAL CONTROL)  | 1       |                |
| 004 | 19611-ZJ1-850ZA | COVER, FAN (RECOIL STARTER)*NH1*  | 1       |                |
| 004 | 19611-ZJ1-850ZC | COVER, FAN (RECOIL STARTER)*R280* | 1       |                |
| 006 | 19612-ZJ1-841   | PLATE, SIDE                       | 1       |                |
| 007 | 19614-ZJ1-841   | PLATE, SIDE                       | 1       |                |
| 009 | 19631-ZJ1-850   | SHROUD (OIL ALERT)                | 1       |                |
| 010 | 19632-ZJ1-841   | SHROUD                            | 1       |                |
| 011 | 28491-ZJ1-840   | STAY A, RECOIL STARTER            | 1       |                |
| 012 | 28492-ZJ1-840   | STAY B, RECOIL STARTER            | 1       |                |
| 013 | 28496-ZJ1-840ZA | COVER, RECOIL STARTER STAY*NH1*   | 1       |                |
| 013 | 28496-ZJ1-840ZC | COVER, RECOIL STARTER STAY*R280*  | 1       |                |
| 015 | 33713-GC2-000   | COLLAR B, TAILLIGHT               | 6       |                |
| 016 | 34150-ZJ1-842   | ALERT UNIT, OIL                   | 1       | 1066058        |

| <u>Ref</u> | <u>Partnumber</u> | <u>Description</u>         | <u>GX620U1</u> | <u>Serial Numbers</u> |
|------------|-------------------|----------------------------|----------------|-----------------------|
| 016        | 34150-ZJ1-843     | ALERT UNIT, OIL            | 1              | 1066059               |
| 018        | 80101-310-000     | RUBBER, RR. FENDER CUSHION | 1              |                       |
| 019        | 90013-883-000     | BOLT, FLANGE, 6X12 (CT200) | 10             |                       |
| 020        | 90018-ZE1-000     | BOLT, FLANGE, 6X23 (CT200) | 2              |                       |
| 021        | 90042-ZJ1-840     | BOLT, STUD, 6X71           | 4              |                       |
| 022        | 90313-ZJ1-840     | NUT, SQUARE, 5MM           | 2              |                       |
| 024        | 93903-35380-      | SCREW, TAPPING, 5X16       | 4              |                       |
| 025        | 93913-25580-      | SCREW, TAPPING, 5X20       | 2              |                       |
| 026        | 94050-05000-      | NUT, FLANGE, 5MM           | 2              |                       |
| 028        | 94050-06070-      | NUT, FLANGE, 6MM           | 4              |                       |
| 029        | 95701-0600800     | BOLT, FLANGE, 6X8          | 2              |                       |

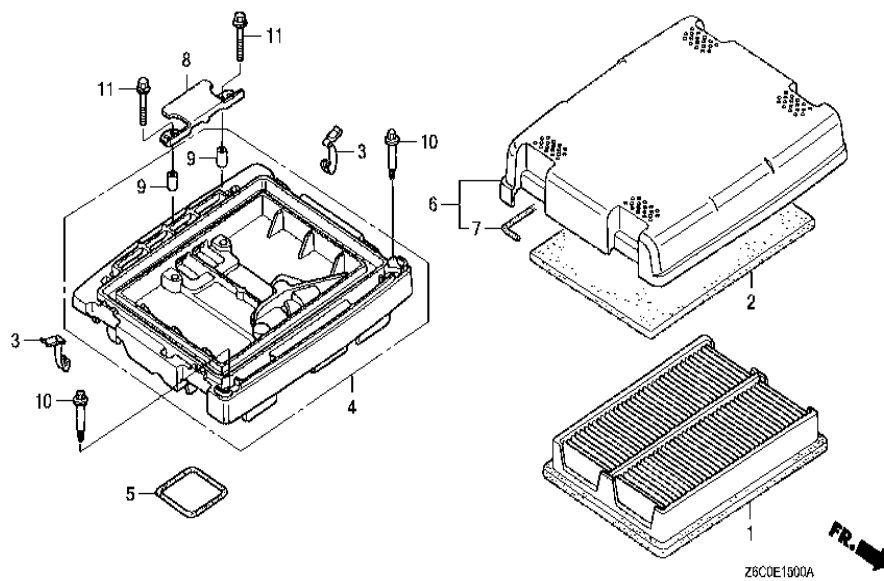
|              |                 |
|--------------|-----------------|
| GX620U1(QZB) | E-14 CARBURETOR |
|--------------|-----------------|



| Ref | Partnumber    | Description                  | GX620U1 | Serial Numbers  |
|-----|---------------|------------------------------|---------|-----------------|
| 001 | 12357-ZJ1-840 | TUBE, BREATHER               | 1       |                 |
| 002 | 15772-551-000 | CLIP, BREATHER TUBE          | 1       |                 |
| 003 | 16010-ZG8-000 | GASKET SET                   | 1       |                 |
| 004 | 16011-KCK-910 | VALVE SET, FLOAT             | 1       |                 |
| 005 | 16013-ZV4-005 | FLOAT SET                    | 1       |                 |
| 006 | 16015-ZJ1-841 | CHAMBER SET, FLOAT           | 1       |                 |
| 007 | 16016-ZJ1-010 | SCREW SET                    | 1       |                 |
| 008 | 16024-124-760 | SCREW SET, DRAIN             | 1       |                 |
| 009 | 16028-ZG8-000 | SCREW SET                    | 1       |                 |
| 010 | 16100-ZJ1-841 | CARBURETOR ASSY. (BG22G A)   | 1       | 1020010         |
| 010 | 16100-ZJ1-842 | CARBURETOR ASSY. (BG22G B/C) | 1       | 1020011 1069921 |
| 010 | 16100-ZJ1-843 | CARBURETOR ASSY. (BG22G C)   | 1       | 1069922         |
| 012 | 16148-141-881 | CAP, CHOKE DUST              | 1       |                 |

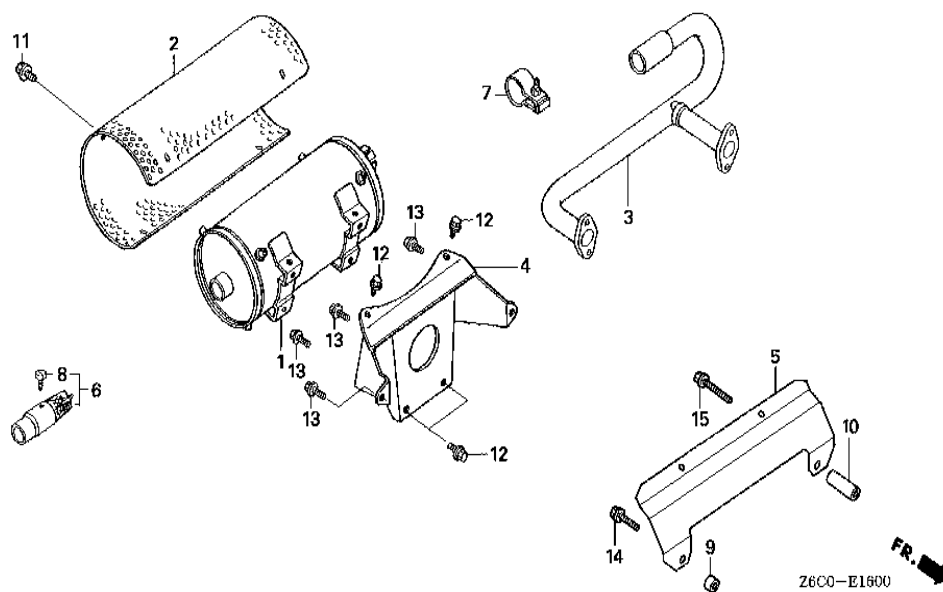
| <u>Ref</u> | <u>Partnumber</u> | <u>Description</u>       | <u>GX620U1</u> | <u>Serial Numbers</u> |
|------------|-------------------|--------------------------|----------------|-----------------------|
| 013        | 16150-ZJ1-841     | JET SET, #52             | 1              |                       |
| 014        | 16166-ZJ0-000     | NOZZLE, MAIN             | 1              |                       |
| 015        | 16178-548-004     | O-RING, 5.8X1.9          | 1              |                       |
| 016        | 16198-ZJ1-840     | TUBE, DRAIN              | 1              |                       |
| 017        | 16200-ZJ1-841     | VALVE ASSY., SOLENOID    | 1              | 1069921               |
| 017        | 16200-ZJ1-842     | VALVE ASSY., SOLENOID    | 1              | 1069922               |
| 018        | 16211-ZJ0-830     | INSULATOR, CARBURETOR    | 1              |                       |
| 019        | 16221-ZJ1-840     | PACKING, CARBURETOR      | 2              |                       |
| 021        | 17228-ZG8-003     | PACKING, AIR CLEANER     | 1              |                       |
| 022        | 17410-ZJ1-840     | ELBOW COMP., AIR CLEANER | 1              |                       |
| 025        | 90314-ZJ1-840     | NUT, INSERT, 6MM         | 2              |                       |
| 026        | 90682-959-661     | CLIP B, CABLE            | 1              |                       |
| 027        | 91402-ZJ1-841     | CLIP, PURSE LOCK         | 1              |                       |
| 028        | 93892-0401418     | SCREW-WASHER, 4X14       | 4              |                       |
| 029        | 93892-0501218     | SCREW-WASHER, 5X12       | 2              |                       |
| 032        | 95002-02080-      | CLIP, TUBE (B8)          | 1              |                       |
| 034        | 95801-0612000     | BOLT, FLANGE, 6X120      | 2              |                       |
| 036        | 99201-ZG8-1000    | JET SET, MAIN, #100      | (1)            |                       |
| 036        | 99201-ZG8-1020    | JET SET, MAIN, #102      | (1)            |                       |
| 036        | 99201-ZG8-1050    | JET SET, MAIN, #105      | 1              |                       |
| 037        | 16075-ZJ1-000     | O-RING                   | 1              |                       |
| 038        | 16126-ZJ1-841     | ARM, THROTTLE LINKAGE    | 1              |                       |

|              |                      |
|--------------|----------------------|
| GX620U1(QZB) | E-15 AIR CLEANER (1) |
|--------------|----------------------|



| Ref | Partnumber    | Description                | GX620U1 | Serial Numbers |
|-----|---------------|----------------------------|---------|----------------|
| 001 | 17210-ZJ1-842 | ELEMENT COMP., AIR CLEANER | 1       |                |
| 002 | 17218-ZJ1-840 | FILTER, OUTER              | 1       |                |
| 003 | 17219-ZJ1-840 | CLIP, AIR CLEANER          | 4       |                |
| 004 | 17220-ZJ1-840 | CASE COMP., AIR CLEANER    | 1       |                |
| 005 | 17229-ZJ1-840 | SEAL, AIR CLEANER CASE     | 1       |                |
| 006 | 17230-ZJ1-840 | COVER ASSY., AIR CLEANER   | 1       |                |
| 007 | 17233-ZJ1-840 | SEAL, AIR CLEANER COVER    | 1       |                |
| 008 | 17234-ZJ1-840 | PLATE, AIR CLEANER SETTING | 1       |                |
| 009 | 17238-ZJ4-830 | COLLAR A, AIR CLEANER      | 2       |                |
| 010 | 90003-ZJ1-840 | BOLT, SPECIAL, 5MM         | 2       |                |
| 011 | 95701-0602800 | BOLT, FLANGE, 6X28         | 2       |                |

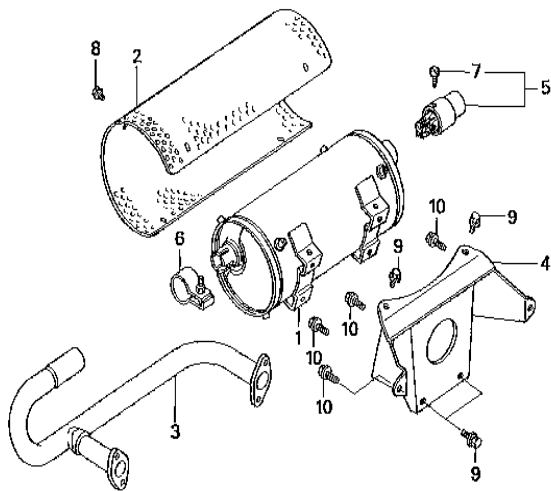
|              |                  |
|--------------|------------------|
| GX620U1(QZB) | E-16 MUFFLER (1) |
|--------------|------------------|



| Ref | Partnumber    | Description               | GX620U1 | Serial Numbers |
|-----|---------------|---------------------------|---------|----------------|
| 001 | 18310-ZJ1-013 | MUFFLER COMP. (HIGH)      | (1)     |                |
| 002 | 18321-ZJ1-003 | PROTECTOR, MUFFLER (HIGH) | (1)     |                |
| 003 | 18330-ZJ1-841 | PIPE COMP., EX. (HIGH-R)  | (1)     |                |
| 004 | 18338-ZJ1-841 | STAY, MUFFLER (HIGH)      | (1)     |                |
| 006 | 18355-ZJ1-003 | ARRESTER, SPARK           | (1)     |                |
| 007 | 18396-ZJ1-003 | BAND ASSY.                | (1)     |                |
| 008 | 90009-ZJ1-801 | SCREW, (NELSON)           | (1)     |                |
| 011 | 95701-0600800 | BOLT, FLANGE, 6X8         | (6)     |                |
| 012 | 95701-0801400 | BOLT, FLANGE, 8X14        | (4)     |                |
| 013 | 95701-0802000 | BOLT, FLANGE, 8X20        | (4)     |                |



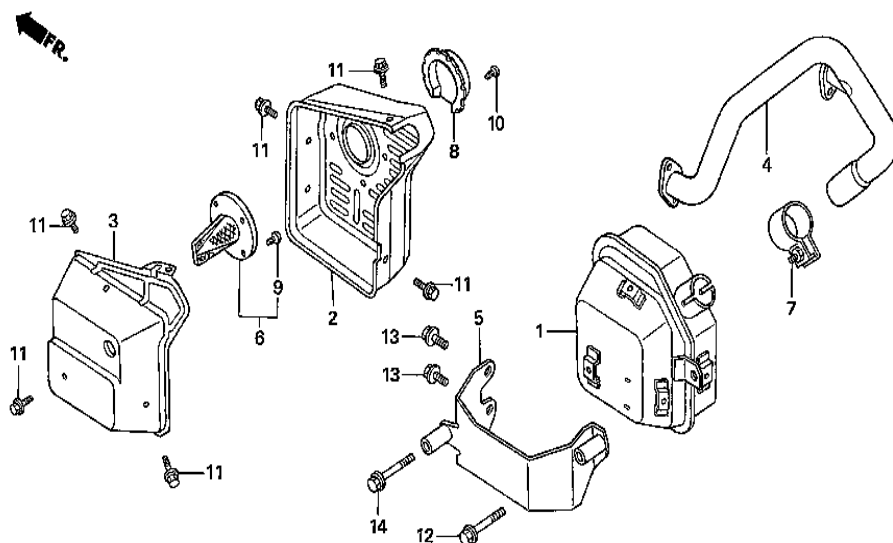
|              |                    |
|--------------|--------------------|
| GX620U1(QZB) | E-16-1 MUFFLER (2) |
|--------------|--------------------|



Z8C0- E1601

| Ref | Partnumber    | Description               | GX620U1 | Serial Numbers |
|-----|---------------|---------------------------|---------|----------------|
| 001 | 18310-ZJ1-013 | MUFFLER COMP. (HIGH)      | (1)     |                |
| 002 | 18321-ZJ1-003 | PROTECTOR, MUFFLER (HIGH) | (1)     |                |
| 003 | 18330-ZJ1-851 | PIPE COMP., EX. (HIGH-L)  | (1)     |                |
| 004 | 18338-ZJ1-841 | STAY, MUFFLER (HIGH)      | (1)     |                |
| 005 | 18355-ZJ1-003 | ARRESTER, SPARK           | (1)     |                |
| 006 | 18396-ZJ1-003 | BAND ASSY.                | (1)     |                |
| 007 | 90009-ZJ1-801 | SCREW, (NELSON)           | (1)     |                |
| 008 | 95701-0600800 | BOLT, FLANGE, 6X8         | (6)     |                |
| 009 | 95701-0801400 | BOLT, FLANGE, 8X14        | (4)     |                |
| 010 | 95701-0802000 | BOLT, FLANGE, 8X20        | (4)     |                |

|              |                    |
|--------------|--------------------|
| GX620U1(QZB) | E-16-2 MUFFLER (3) |
|--------------|--------------------|

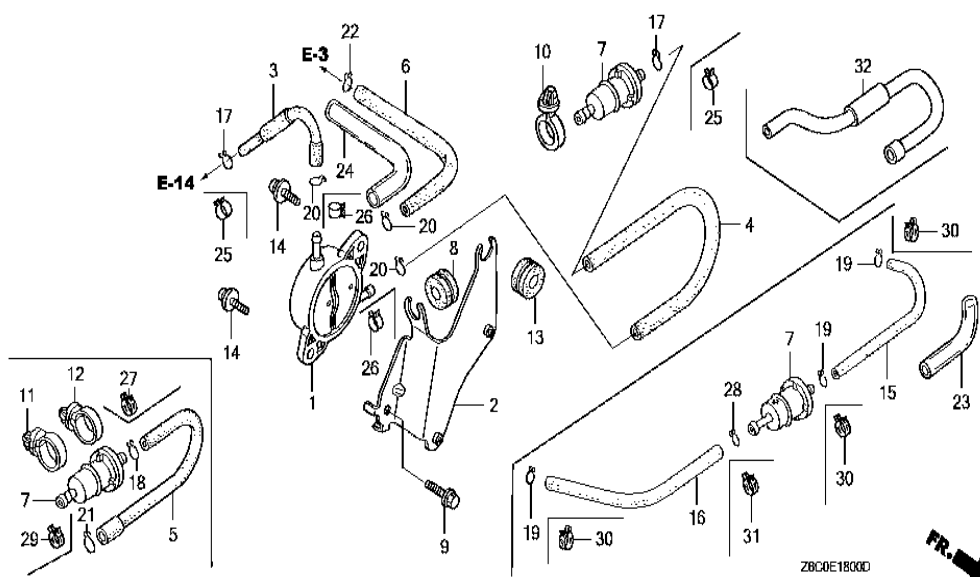


Z6C0-E1602

| Ref | Partnumber    | Description                    | GX620U1 | Serial Numbers |
|-----|---------------|--------------------------------|---------|----------------|
| 001 | 18310-ZJ1-801 | MUFFLER COMP. (SIDE-L)         | 1       |                |
| 002 | 18321-ZJ1-841 | PROTECTOR, MUFFLER (SIDE-L)    | 1       |                |
| 003 | 18325-ZJ1-801 | PROTECTOR, RR. MUFFLER(SIDE-L) | 1       |                |
| 004 | 18330-ZJ1-861 | PIPE COMP., EX. (SIDE-L)       | 1       |                |
| 005 | 18338-ZJ1-851 | STAY, MUFFLER (SIDE-L)         | 1       |                |
| 006 | 18355-ZJ1-801 | ARRESTER, SPARK                | 1       |                |
| 007 | 18396-ZJ1-003 | BAND ASSY.                     | 1       |                |
| 008 | 18431-ZJ1-801 | DEFLECTOR, MUFFLER             | (1)     |                |
| 009 | 90009-ZJ1-801 | SCREW, (NELSON)                | 4       |                |
| 010 | 93903-34110-  | SCREW, TAPPING, 4X8            | (4)     |                |
| 011 | 95701-0600800 | BOLT, FLANGE, 6X8              | 7       |                |
| 012 | 95701-0605000 | BOLT, FLANGE, 6X50             | 1       |                |
| 013 | 95701-0801400 | BOLT, FLANGE, 8X14             | 2       |                |

| <u>Ref</u> | <u>Partnumber</u> | <u>Description</u> | <u>GX620U1</u> | <u>Serial Numbers</u> |
|------------|-------------------|--------------------|----------------|-----------------------|
| 014        | 95701-0805000     | BOLT, FLANGE, 8X50 | 1              |                       |

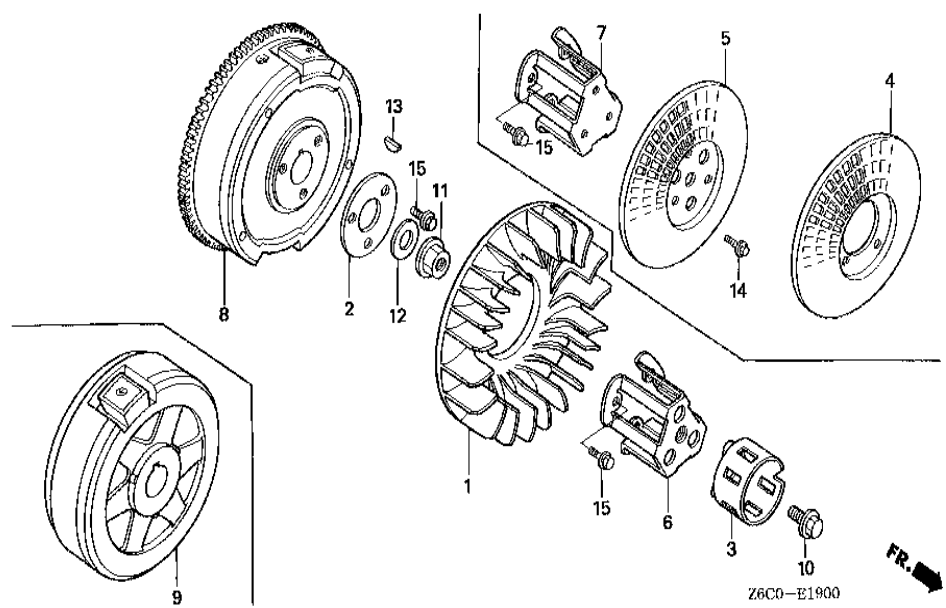
|              |                |
|--------------|----------------|
| GX620U1(QZB) | E-18 FUEL PUMP |
|--------------|----------------|



| Ref | Partnumber    | Description                | GX620U1 | Serial Numbers |
|-----|---------------|----------------------------|---------|----------------|
| 001 | 16700-ZL8-013 | PUMP ASSY., FUEL           | 1       |                |
| 002 | 16711-ZJ1-840 | STAY, FUEL PUMP            | 1       |                |
| 003 | 16850-Z6C-841 | TUBE COMP. A, FUEL (FKM)   | 1       | 1013143        |
| 003 | 16850-ZJ1-840 | TUBE COMP., FUEL (A)       | 1       | 1013142        |
| 004 | 16852-Z6C-841 | TUBE B, FUEL (FKM)         | 1       | 1013143        |
| 004 | 16852-ZJ1-840 | TUBE B, FUEL               | 1       | 1013142        |
| 006 | 16882-ZJ1-840 | TUBE, DIAPHRAGM            | 1       |                |
| 007 | 16910-ZE8-015 | STRAINER COMP., FUEL       | 1       |                |
| 008 | 19111-MF5-000 | GROMMET, RESERVE TANK      | 1       |                |
| 009 | 90014-952-000 | BOLT, FLANGE, 6X14 (CT200) | 1       |                |
| 010 | 90617-SA0-003 | CLIP, WIRE HARNESS         | 1       |                |
| 013 | 91601-ZJ1-840 | GROMMET, PUMP STAY         | 1       |                |
| 014 | 93894-0601600 | SCREW-WASHER, 6X16         | 2       |                |

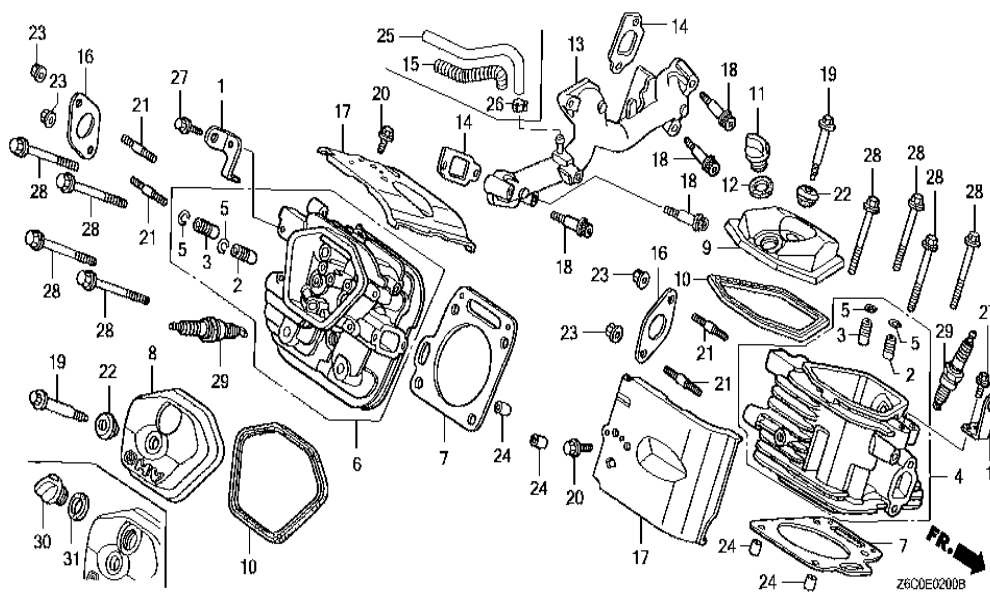
| <u>Ref</u> | <u>Partnumber</u> | <u>Description</u> | <u>GX620U1</u> | <u>Serial Numbers</u> |
|------------|-------------------|--------------------|----------------|-----------------------|
| 017        | 95002-02080-      | CLIP, TUBE (B8)    | 2              | 1013142               |
| 020        | 95002-02100-      | CLIP, TUBE (B10)   | 3              | 1013142               |
| 020        | 95002-02100-      | CLIP, TUBE (B10)   | 1              | 1013143               |
| 022        | 95002-02080-      | CLIP, TUBE (B8)    | 1              | 1006935               |
| 022        | 95002-50000-      | CLIP, TUBE (C9)    | 1              | 1006934               |
| 025        | 95002-4080008     | CLAMP, TUBE (D8)   | 2              | 1013143               |
| 026        | 95002-4085008     | CLAMP, TUBE (D8.5) | 2              | 1013143               |

|              |               |
|--------------|---------------|
| GX620U1(QZB) | E-19 FLYWHEEL |
|--------------|---------------|



| Ref | Partnumber    | Description                    | GX620U1 | Serial Numbers |
|-----|---------------|--------------------------------|---------|----------------|
| 001 | 19511-ZJ1-000 | FAN, COOLING                   | 1       |                |
| 003 | 28451-ZJ1-801 | PULLEY, STARTER                | 1       |                |
| 005 | 28452-ZJ1-811 | GRID, SCREEN (P.T.O.)          | (1)     |                |
| 006 | 28453-ZJ1-801 | SPACER, STARTER PULLEYMOUNTING | 1       |                |
| 007 | 28454-ZJ1-801 | HOLDER, SCREEN GRID            | (1)     |                |
| 008 | 31110-ZJ1-840 | FLYWHEEL COMP.                 | 1       |                |
| 010 | 90013-ZJ1-800 | BOLT, UBS, 12X28               | 1       |                |
| 011 | 90201-ZG3-000 | NUT, FLANGE, 20MM              | 1       |                |
| 012 | 90401-ZG3-000 | WASHER, 20MM                   | 1       |                |
| 013 | 90741-ZE2-000 | KEY, SPECIAL WOODRUFF, 25X18   | 1       |                |
| 015 | 95701-0801600 | BOLT, FLANGE, 8X16             | 3       |                |

|              |                   |
|--------------|-------------------|
| GX620U1(QZB) | E-2 CYLINDER HEAD |
|--------------|-------------------|

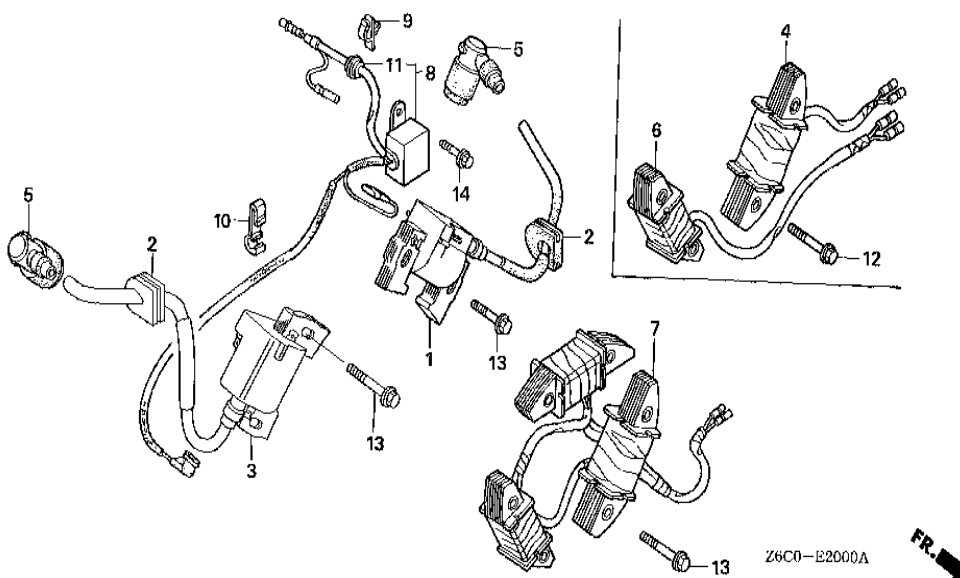


| Ref | Partnumber    | Description               | GX620U1 | Serial Numbers |
|-----|---------------|---------------------------|---------|----------------|
| 001 | 11911-ZJ1-840 | HANGER, ENGINE            | 2       |                |
| 002 | 12204-ZE2-306 | GUIDE, IN. VALVE (O.S.)   | (2)     |                |
| 003 | 12205-ZJ1-405 | GUIDE, EX. VALVE (O.S.)   | (2)     |                |
| 004 | 12210-ZJ1-406 | HEAD COMP., CYLINDER (#1) | 1       |                |
| 005 | 12216-ZE2-300 | CLIP, VALVE GUIDE         | 4       |                |
| 006 | 12220-ZJ1-405 | HEAD COMP., CYLINDER (#2) | 1       |                |
| 007 | 12251-ZJ1-841 | GASKET, CYLINDER HEAD     | 2       |                |
| 008 | 12311-ZJ1-840 | COVER, HEAD               | 1       |                |
| 009 | 12314-ZJ1-840 | COVER, HEAD FILLER        | 1       |                |
| 010 | 12391-ZE2-020 | PACKING, HEAD COVER       | 2       |                |
| 011 | 15611-MB0-000 | CAP, OIL FILLER           | 1       |                |
| 012 | 15625-ZJ1-840 | PACKING, OIL FILLER CAP   | 1       |                |
| 013 | 17101-ZJ1-840 | MANIFOLD, INTAKE          | 1       |                |

| <u>Ref</u> | <u>Partnumber</u> | <u>Description</u>            | <u>GX620U1</u> | <u>Serial Numbers</u> |
|------------|-------------------|-------------------------------|----------------|-----------------------|
| 014        | 17151-ZJ1-841     | GASKET, INTAKE MANIFOLD       | 2              |                       |
| 016        | 18333-ZE3-800     | GASKET, EX. PIPE              | 2              |                       |
| 017        | 19682-ZJ1-840     | SHROUD, HEAD                  | 2              |                       |
| 018        | 90011-ZJ1-841     | BOLT, SOCKET, 8X45            | 4              |                       |
| 019        | 90014-ZE2-000     | BOLT, HEAD COVER              | 2              |                       |
| 020        | 90014-952-000     | BOLT, FLANGE, 6X14 (CT200)    | 2              |                       |
| 021        | 90018-ZJ1-840     | BOLT, STUD, 8X22              | 4              |                       |
| 022        | 90441-ZE2-010     | WASHER COMP., HEAD COVER      | 2              |                       |
| 023        | 94050-08000-      | NUT, FLANGE, 8MM              | 4              |                       |
| 024        | 94301-12200-      | DOWEL PIN, 12X20              | 4              |                       |
| 027        | 95701-0802000     | BOLT, FLANGE, 8X20            | 2              |                       |
| 028        | 95701-1008000     | BOLT, FLANGE, 10X80           | 8              |                       |
| 029        | 98079-52876-      | PLUG, SPARK (BPR2ES) (NGK)    | (2)            |                       |
| 029        | 98079-5485V-      | PLUG, SPARK (J14CR-U) (DENSO) | (2)            |                       |
| 029        | 98079-5487V-      | PLUG, SPARK (ZGR4A)           | (2)            |                       |
| 029        | 98079-5585V-      | PLUG, SPARK (J16CR-U) (DENSO) | 2              |                       |
| 029        | 98079-5587V-      | PLUG, SPARK (ZGR5A)           | 2              |                       |



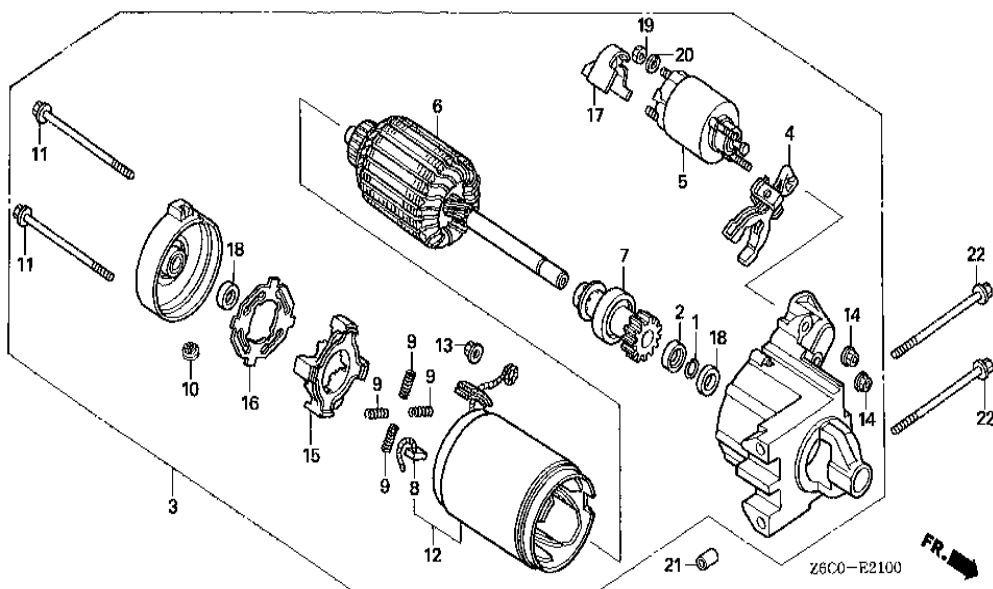
|              |                    |
|--------------|--------------------|
| GX620U1(QZB) | E-20 IGNITION COIL |
|--------------|--------------------|



| Ref | Partnumber    | Description                  | GX620U1 | Serial Numbers |
|-----|---------------|------------------------------|---------|----------------|
| 001 | 30500-ZJ1-844 | COIL ASSY., IGNITION         | 1       | 1060851        |
| 001 | 30500-ZJ1-845 | COIL ASSY., IGNITION         | 1       | 1060852        |
| 002 | 30518-ZJ1-000 | GROMMET, HIGH TENSION CORD   | 2       |                |
| 003 | 30550-ZJ1-844 | COIL ASSY., IGNITION         | 1       | 1060851        |
| 003 | 30550-ZJ1-845 | COIL ASSY., IGNITION         | 1       | 1060852        |
| 005 | 30700-ZJ1-841 | CAP ASSY., NOISE SUPPRESSOR  | 2       |                |
| 007 | 31630-ZJ1-801 | COIL ASSY., CHARGE (12V/20A) | 1       | 1061203        |
| 007 | 31630-ZJ1-802 | COIL ASSY., CHARGE (12V/20A) | 1       | 1061204        |
| 008 | 31740-ZJ1-861 | DIODE ASSY., ENGINE STOP     | 1       | 1064272        |
| 008 | 31740-ZJ1-862 | DIODE ASSY., ENGINE STOP     | 1       | 1064273        |
| 009 | 32171-GJ1-003 | CLIP, WIRE HARNESS           | 1       |                |
| 010 | 32763-PA0-000 | CLAMP, CORD                  | 1       |                |
| 011 | 63312-ZA7-000 | GROMMET, TOOL                | 1       |                |

| <u>Ref</u> | <u>Partnumber</u> | <u>Description</u> | <u>GX620U1</u> | <u>Serial Numbers</u> |
|------------|-------------------|--------------------|----------------|-----------------------|
| 013        | 90031-ZE1-000     | BOLT, FLANGE, 6X32 | 8              |                       |
| 014        | 95701-0600800     | BOLT, FLANGE, 6X8  | 1              |                       |

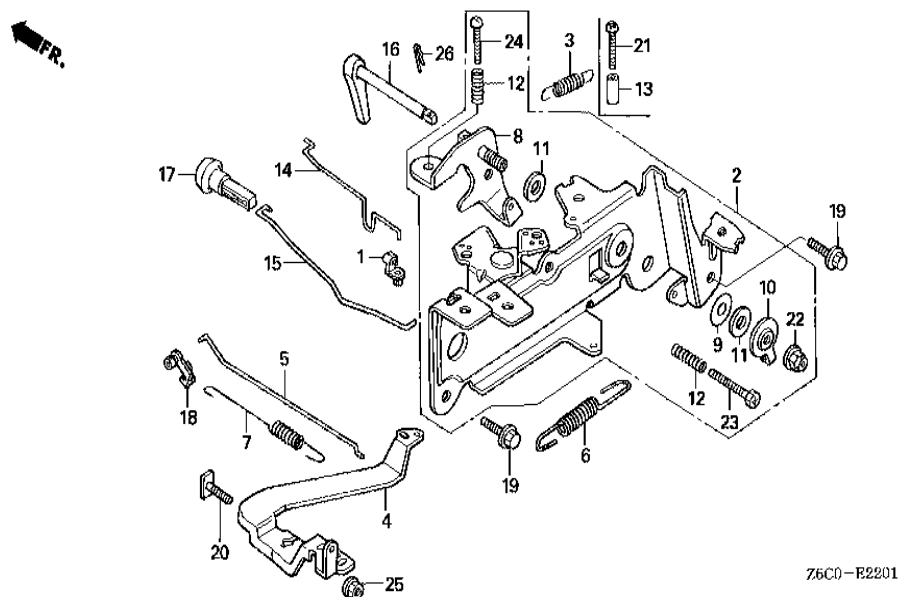
|              |                    |
|--------------|--------------------|
| GX620U1(QZB) | E-21 STARTER MOTOR |
|--------------|--------------------|



| Ref | Partnumber    | Description               | GX620U1 | Serial Numbers |
|-----|---------------|---------------------------|---------|----------------|
| 001 | 30201-PH9-004 | RING, SNAP (DENSO)        | 1       |                |
| 002 | 30202-PZ1-003 | COLLAR SET, CLUTCH STOP   | 1       |                |
| 003 | 31200-ZJ1-841 | MOTOR ASSY., STARTER      | 1       | 1064272        |
| 003 | 31200-ZJ1-842 | MOTOR ASSY., STARTER      | 1       | 1064273        |
| 004 | 31203-PH9-004 | LEVER, PINION DRIVE       | 1       |                |
| 005 | 31204-ZJ1-H01 | SWITCH ASSY., MAGNET      | 1       | 1064272        |
| 005 | 31204-ZJ1-H02 | SWITCH ASSY., MAGNET      | 1       | 1064273        |
| 006 | 31206-ZG4-801 | ARMATURE COMP.            | 1       |                |
| 007 | 31207-ZJ1-H01 | CLUTCH COMP., OVERRUNNING | 1       |                |
| 008 | 31211-PH9-004 | BRUSH                     | 4       |                |
| 009 | 31212-PH9-004 | SPRING, BRUSH             | 4       |                |
| 010 | 31213-P64-N01 | COVER                     | 1       |                |
| 011 | 31214-PH9-004 | BOLT, THROUGH             | 2       |                |

| <u>Ref</u> | <u>Partnumber</u> | <u>Description</u>      | <u>GX620U1</u> | <u>Serial Numbers</u> |
|------------|-------------------|-------------------------|----------------|-----------------------|
| 012        | 31218-P64-N01     | YOKE COMP.              | 1              |                       |
| 013        | 31220-PH9-004     | NUT, HEX., 8MM          | 1              |                       |
| 014        | 31223-PA0-006     | NUT, HEX.               | 2              |                       |
| 015        | 31231-PH9-004     | HOLDER, BRUSH           | 1              |                       |
| 016        | 31233-PH9-004     | INSULATOR, BRUSH HOLDER | 1              |                       |
| 017        | 31234-ZJ1-H01     | COVER, TERMINAL         | 1              | 1064272               |
| 017        | 31234-ZJ1-H02     | COVER, TERMINAL         | 1              | 1064273               |
| 018        | 91002-ZG4-801     | BEARING A               | 2              |                       |
| 019        | 94001-082000S     | NUT, HEX., 8MM          | 1              |                       |
| 020        | 94111-08000-      | WASHER, SPRING, 8MM     | 1              |                       |
| 021        | 94301-10120-      | DOWEL PIN, 10X12        | 2              |                       |
| 022        | 95701-0811000     | BOLT, FLANGE, 8X110     | 2              |                       |

|              |                    |
|--------------|--------------------|
| GX620U1(QZB) | E-22-1 CONTROL (2) |
|--------------|--------------------|

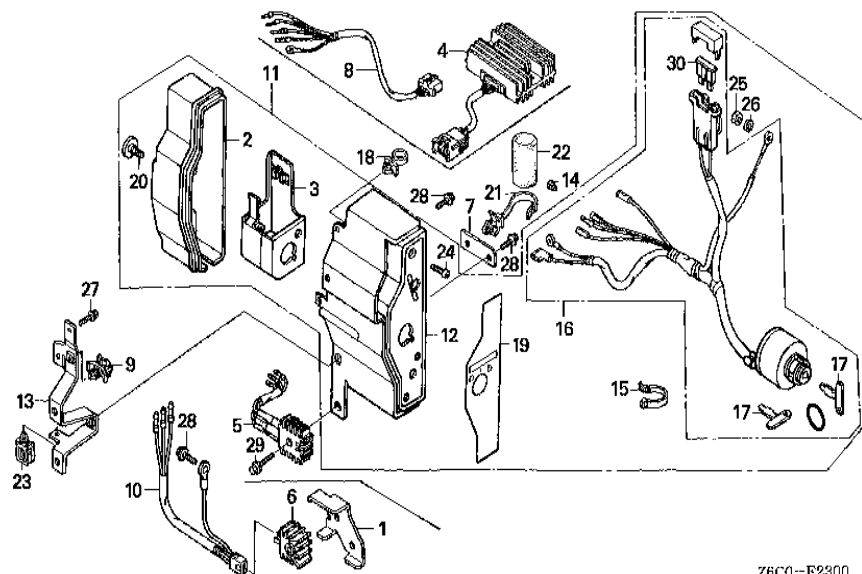


76C0-E2201

| Ref | Partnumber    | Description               | GX620U1 | Serial Numbers |
|-----|---------------|---------------------------|---------|----------------|
| 001 | 16263-883-W10 | JOINT, ROD                | 1       |                |
| 002 | 16500-ZJ1-851 | CONTROL ASSY.             | 1       |                |
| 003 | 16534-ZJ1-840 | SPRING, STARTER           | 1       |                |
| 004 | 16551-ZJ1-840 | ARM, GOVERNOR             | 1       |                |
| 005 | 16555-ZJ1-840 | ROD, GOVERNOR             | 1       |                |
| 006 | 16561-ZJ1-850 | SPRING, GOVERNOR (MANUAL) | 1       |                |
| 007 | 16562-ZJ1-840 | SPRING, THROTTLE RETURN   | 1       |                |
| 008 | 16570-ZJ1-851 | ARM COMP., CONTROL        | 1       |                |
| 009 | 16574-883-300 | SPRING, LEVER             | 1       |                |
| 010 | 16575-ZJ1-850 | WASHER, CONTROL ARM       | 1       |                |
| 011 | 16576-883-300 | SPACER, CONTROL LEVER     | 2       |                |
| 012 | 16584-883-300 | SPRING, CONTROL ADJUSTING | 2       |                |
| 014 | 16611-ZJ1-840 | ROD, CHOKE CONTROL        | 1       |                |

| <u>Ref</u> | <u>Partnumber</u> | <u>Description</u>         | <u>GX620U1</u> | <u>Serial Numbers</u> |
|------------|-------------------|----------------------------|----------------|-----------------------|
| 015        | 16628-ZJ1-850     | ROD, CHOKE KNOB            | 1              |                       |
| 016        | 17850-ZJ1-850     | LEVER ASSY., THROTTLE      | 1              |                       |
| 017        | 17951-921-030     | KNOB, CHOKE                | 1              |                       |
| 018        | 17957-ZV4-000     | BUSH, LINKAGE              | 1              |                       |
| 019        | 90014-952-000     | BOLT, FLANGE, 6X14 (CT200) | 2              |                       |
| 020        | 90015-ZE3-790     | BOLT, GOVERNOR ARM         | 1              |                       |
| 022        | 90114-SA0-000     | NUT, SELF-LOCK, 6MM        | 1              |                       |
| 023        | 92301-050250A     | BOLT, RECESSED, 5X25       | 1              |                       |
| 024        | 93500-050250A     | SCREW, PAN, 5X25           | 1              |                       |
| 025        | 94050-06000-      | NUT, FLANGE, 6MM           | 1              |                       |
| 026        | 94251-10000-      | PIN, LOCK, 10MM            | 1              |                       |

|              |                  |
|--------------|------------------|
| GX620U1(QZB) | E-23 CONTROL BOX |
|--------------|------------------|



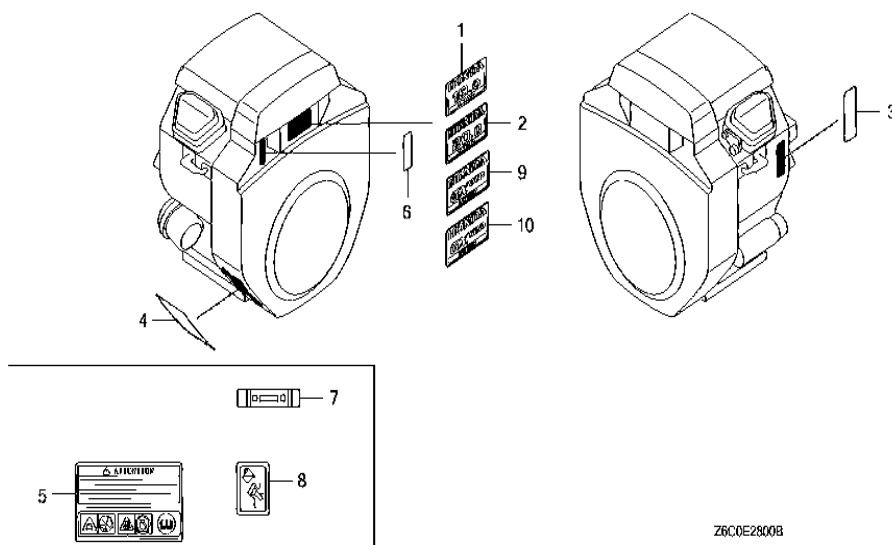
Z6C0-E2300

| Ref | Partnumber    | Description                     | GX620U1 | Serial Numbers |
|-----|---------------|---------------------------------|---------|----------------|
| 002 | 31612-ZE2-003 | CASE, CONTROL                   | 1       |                |
| 003 | 31614-ZE2-003 | BRACKET, CASE MOUNTING          | 1       |                |
| 004 | 31620-ZG5-013 | RECTIFIER ASSY., REGULATOR(20A) | 1       | 1057605        |
| 004 | 31620-ZG5-023 | RECTIFIER ASSY., REGULATOR(20A) | 1       | 1057606        |
| 007 | 32103-759-000 | BRACKET, WIRE HARNESS CLIP      | 1       |                |
| 008 | 32105-ZJ1-800 | HARNESS ASSY., SUB WIRE         | 1       |                |
| 009 | 32171-GJ1-003 | CLIP, WIRE HARNESS              | 1       |                |
| 011 | 32340-Z6D-831 | BOX ASSY., CONTROL              | 1       | 1068428        |
| 011 | 32340-Z6D-832 | BOX ASSY., CONTROL              | 1       | 1068429        |
| 012 | 32345-ZJ1-812 | PANEL COMP., CONTROL            | 1       |                |
| 013 | 32349-ZJ1-840 | STAY, CONTROL BOX               | 1       |                |
| 015 | 32902-892-003 | BAND                            | 1       |                |
| 016 | 35100-ZJ1-841 | SWITCH ASSY., COMBINATION       | 1       | 1068428        |

| <u>Ref</u> | <u>Partnumber</u> | <u>Description</u>              | <u>GX620U1</u> | <u>Serial Numbers</u> |
|------------|-------------------|---------------------------------|----------------|-----------------------|
| 016        | 35100-ZJ1-842     | SWITCH ASSY., COMBINATION       | 1              | 1068429               |
| 017        | 35111-880-013     | KEY COMP.                       | 2              |                       |
| 018        | 36103-ZE1-000     | HOLDER, STOP SWITCH CORD        | 1              |                       |
| 019        | 87529-Z4S-820     | MARK, CONTROL BOX (EXP)         | 1              |                       |
| 020        | 90380-MA6-010     | SCREW, SPECIAL, 6X12            | 1              |                       |
| 021        | 90676-SA8-003     | BAND, WIRE HARNESS, 150MM(BLUE) | 1              |                       |
| 022        | 91408-ZJ1-810     | TUBE, CORD, 30MM                | 1              |                       |
| 023        | 91504-750-003     | CLIP, WIRE HARNESS (BLACK)      | 1              |                       |
| 024        | 93500-040120H     | SCREW, PAN, 4X12                | 1              |                       |
| 025        | 94001-040800S     | NUT, HEX., 4MM                  | 1              | 1020410               |
| 025        | 94001-043900S     | NUT, HEX., 4MM                  | 1              | 1020411               |
| 026        | 94111-04800-      | WASHER, SPRING, 4MM             | 1              |                       |
| 027        | 95701-0601000     | BOLT, FLANGE, 6X10              | 1              |                       |
| 028        | 95701-0601200     | BOLT, FLANGE, 6X12              | 2              |                       |
| 030        | 98200-32500-      | FUSE, BLADE (25A)               | 1              |                       |



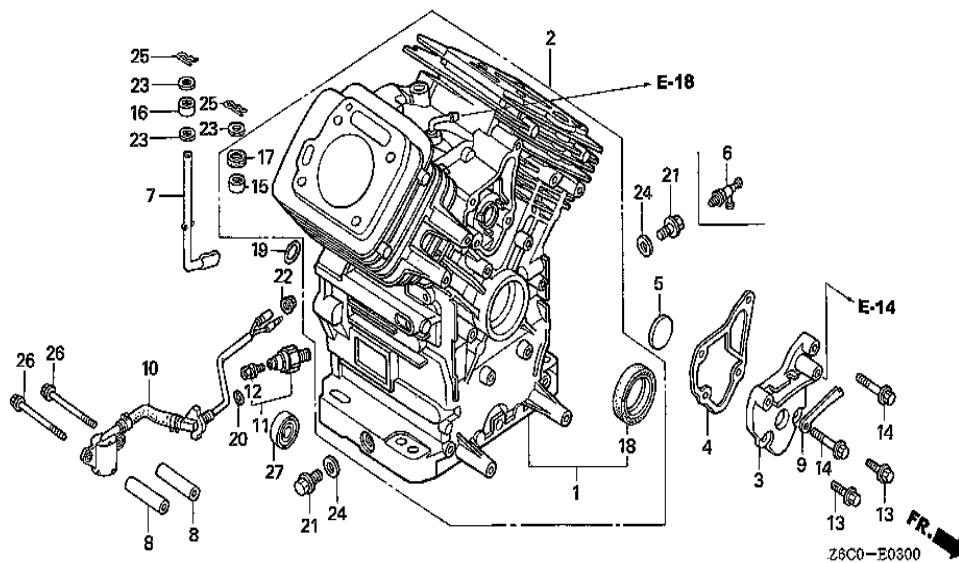
|              |            |
|--------------|------------|
| GX620U1(QZB) | E-28 LABEL |
|--------------|------------|



Z6C0E28008

| Ref | Partnumber    | Description                              | GX620U1 | Serial Numbers |
|-----|---------------|--|---------|----------------|
| 002 | 87101-ZJ1-841 | MARK, EMBLEM (20.0)                      | 1       | 1060851        |
| 003 | 87152-ZJ1-010 | LABEL, SPECIFICATION (GX620)             | 1       |                |
| 004 | 87516-ZH7-000 | MARK, OPERATOR CAUTION(ENGLISH) (MADE IN | 1       |                |
| 004 | 87516-ZH7-810 | MARK, OPERATOR CAUTION(PICTOGRAPH) (MADE | (1)     |                |
| 005 | 87516-ZH7-800 | MARK, OPERATOR CAUTION(FRENCH) (MADE IN  | 1       |                |
| 006 | 87532-ZH7-800 | MARK, THROTTLE INDICATION                | 1       |                |
| 010 | 87101-ZJ1-842 | MARK, EMBLEM (GX620)                     | 1       | 1060852        |

|              |                     |
|--------------|---------------------|
| GX620U1(QZB) | E-3 CYLINDER BARREL |
|--------------|---------------------|

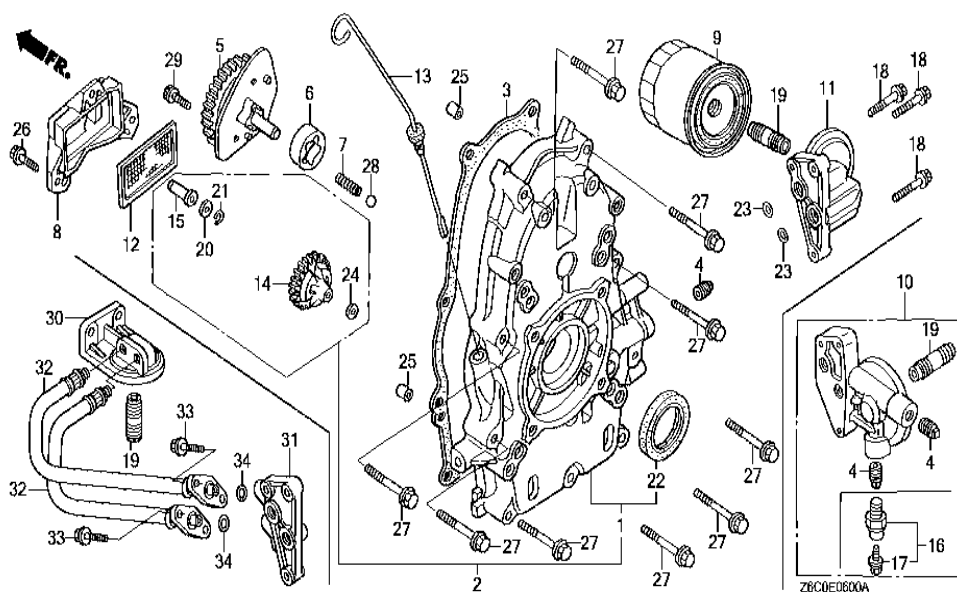


| Ref | Partnumber    | Description                  | GX620U1 | Serial Numbers |
|-----|---------------|------------------------------|---------|----------------|
| 002 | 12000-ZJ1-406 | BARREL ASSY., CYLINDER       | 1       |                |
| 003 | 12356-ZJ1-000 | COVER, BREATHER              | 1       |                |
| 004 | 12358-ZJ1-000 | PACKING, BREATHER COVER      | 1       |                |
| 005 | 12372-ZE2-300 | VALVE, BREATHER              | 1       |                |
| 006 | 15558-ZJ1-003 | VALVE, OIL SHUT-OFF          | (1)     |                |
| 007 | 16541-ZJ1-840 | SHAFT, GOVERNOR ARM          | 1       |                |
| 008 | 25523-VD6-010 | COLLAR, FILTER SETTING       | 2       |                |
| 009 | 31511-ZJ1-000 | CLAMPER, CORD                | 1       |                |
| 010 | 35480-ZJ1-841 | SWITCH ASSY., OIL LEVEL      | 1       | 1068428        |
| 010 | 35480-ZJ1-842 | SWITCH ASSY., OIL LEVEL      | 1       | 1068429        |
| 013 | 90029-888-000 | BOLT, FLANGE, 6X16 (CT200)   | 2       |                |
| 014 | 90031-ZE1-000 | BOLT, FLANGE, 6X32           | 2       |                |
| 015 | 91001-ZJ1-841 | BEARING, NEEDLE, 8X12.7X11.1 | 1       |                |

| <u>Ref</u> | <u>Partnumber</u> | <u>Description</u>         | <u>GX620U1</u> | <u>Serial Numbers</u> |
|------------|-------------------|----------------------------|----------------|-----------------------|
| 016        | 91002-ZJ1-841     | BEARING, NEEDLE, 8X12X10   | 1              |                       |
| 017        | 91201-ZE9-003     | OIL SEAL, 8X14X5           | 1              |                       |
| 018        | 91201-ZJ1-841     | OIL SEAL, 38X58X9          | 1              |                       |
| 019        | 91302-MB6-830     | O-RING, 13X3.0             | 1              |                       |
| 020        | 91353-671-004     | O-RING, 14MM (NOK)         | 1              |                       |
| 021        | 92800-14000-      | BOLT, DRAIN PLUG, 14MM     | 2              |                       |
| 022        | 94050-10000-      | NUT, FLANGE, 10MM          | 1              |                       |
| 023        | 94102-08800-      | WASHER, PLAIN, 8MM         | 3              |                       |
| 024        | 94109-14000-      | WASHER, DRAIN PLUG, 14MM   | 2              |                       |
| 025        | 94251-08000-      | PIN, LOCK, 8MM             | 2              |                       |
| 026        | 95701-0607509     | BOLT, FLANGE, 6X75         | 2              |                       |
| 027        | 96140-6003010     | BEARING, RADIAL BALL, 6003 | 1              |                       |

GX620U1(QZB)

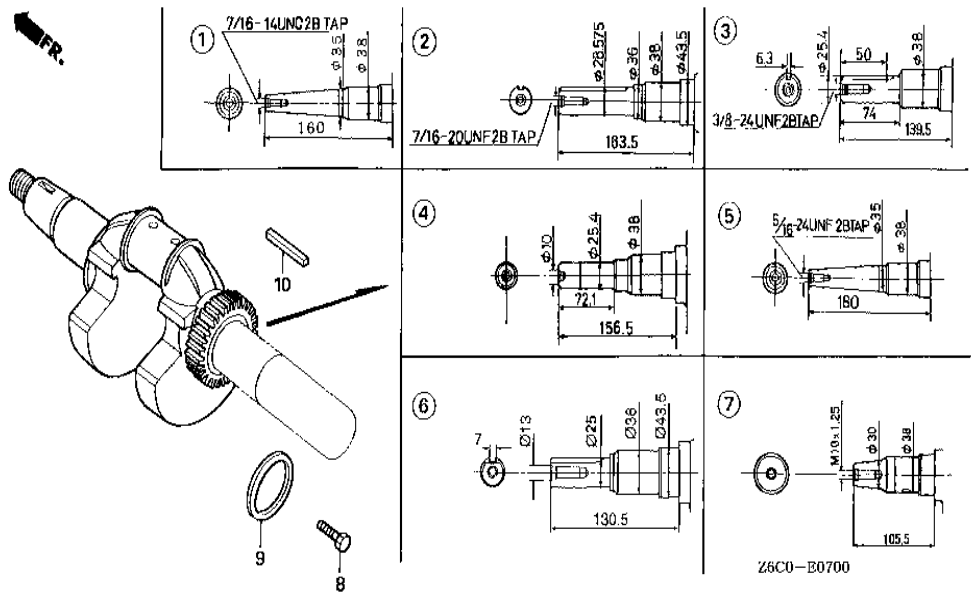
E-6 CRANKCASE COVER



| Ref | Partnumber    | Description                        | GX620U1 | Serial Numbers |
|-----|---------------|------------------------------------|---------|----------------|
| 002 | 11300-ZJ1-842 | COVER ASSY., CRANKCASE             | 1       | 1022498        |
| 002 | 11300-ZJ1-843 | COVER ASSY., CRANKCASE             | 1       | 1022499        |
| 003 | 11381-ZJ1-840 | GASKET, CASE COVER                 | 1       |                |
| 004 | 12105-ZA0-701 | BOLT, SEALING                      | 3       |                |
| 005 | 15120-ZJ1-000 | COVER ASSY., OIL PUMP(TWO BOLTS)   | 1       | 1022498        |
| 005 | 15120-ZJ1-010 | COVER ASSY., OIL PUMP(THREE BOLTS) | 1       | 1022499        |
| 006 | 15124-ZJ1-003 | ROTOR, OIL PUMP OUTER              | 1       |                |
| 007 | 15232-ZJ1-000 | SPRING, RELIEF VALVE               | 1       |                |
| 008 | 15348-ZJ1-840 | COVER, OIL FILTER                  | 1       |                |
| 009 | 15400-ZJ1-004 | CARTRIDGE, OIL FILTER(TOYO ROKI)   | 1       |                |
| 010 | 15410-ZJ1-800 | BASE COMP., OIL FILTER (A)         | 1       |                |
| 012 | 15427-ZJ1-000 | SCREEN, OIL FILTER                 | 1       |                |
| 013 | 15655-ZJ1-861 | GAUGE COMP., OIL LEVEL             | 1       |                |

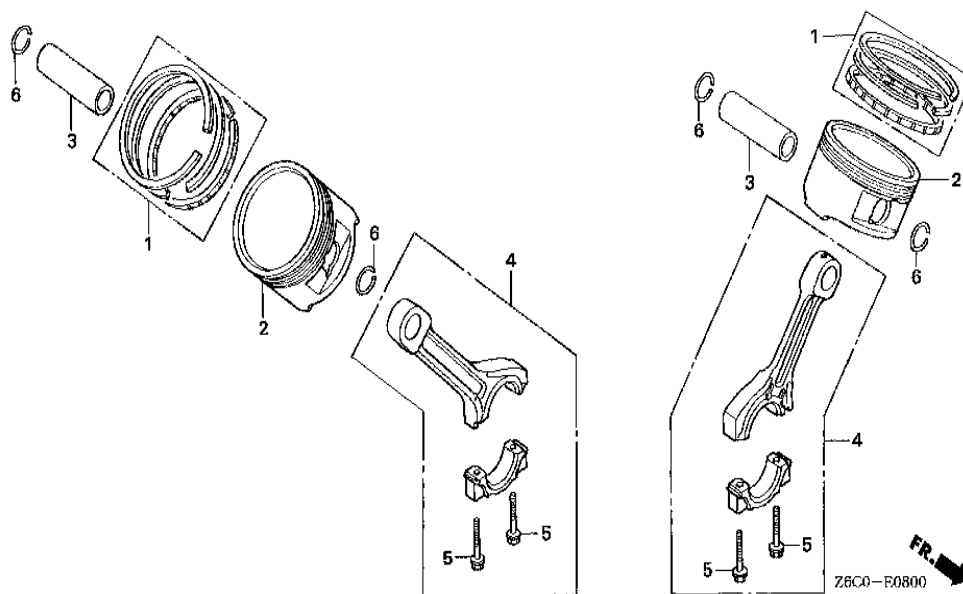
| <u>Ref</u> | <u>Partnumber</u> | <u>Description</u>         | <u>GX620U1</u> | <u>Serial Numbers</u> |
|------------|-------------------|----------------------------|----------------|-----------------------|
| 014        | 16510-ZJ1-840     | GOVERNOR ASSY.             | 1              |                       |
| 015        | 16531-Z0A-000     | SLIDER, GOVERNOR           | 1              |                       |
| 018        | 90014-ZE6-000     | BOLT, FLANGE, 6X35 (CT200) | 3              |                       |
| 019        | 90018-PN3-000     | HOLDER, OIL FILTER         | 1              |                       |
| 020        | 90473-147-000     | WASHER, 6X16               | 1              |                       |
| 021        | 90602-ZE1-000     | CLIP, GOVERNOR HOLDER      | 1              |                       |
| 022        | 91202-ZJ1-841     | OIL SEAL, 38X58X9          | 1              |                       |
| 023        | 91302-ZE9-003     | O-RING, 11.8X2.4           | 2              |                       |
| 024        | 94101-06800-      | WASHER, PLAIN, 6MM         | 1              |                       |
| 025        | 94301-08140-      | DOWEL PIN, 8X14            | 2              |                       |
| 026        | 95701-0602000     | BOLT, FLANGE, 6X20         | 3              |                       |
| 027        | 95701-0805000     | BOLT, FLANGE, 8X50         | 9              |                       |
| 028        | 96211-12000-      | BALL, STEEL, #12 (3/8)     | 1              |                       |
| 029        | 96600-0601600     | BOLT, SOCKET, 6X16         | 2              | 1022498               |
| 029        | 96600-0601600     | BOLT, SOCKET, 6X16         | 3              | 1022499               |

|              |                |
|--------------|----------------|
| GX620U1(QZB) | E-7 CRANKSHAFT |
|--------------|----------------|



| Ref | Partnumber    | Description                              | GX620U1 | Serial Numbers |
|-----|---------------|--|---------|----------------|
| 003 | 13310-ZJ1-840 | CRANKSHAFT COMP. (L=139.5)               | 1       |                |
| 009 | 90401-ZJ1-000 | WASHER, CRANKSHAFT THRUST(38.5X54.0X1.0) | 1       |                |

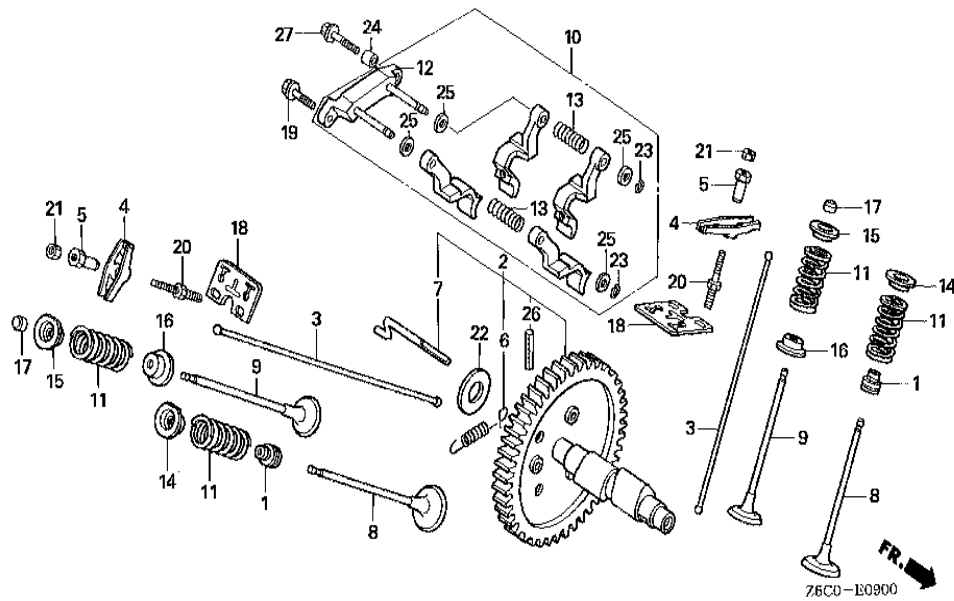
|              |            |
|--------------|------------|
| GX620U1(QZB) | E-8 PISTON |
|--------------|------------|



| Ref | Partnumber    | Description                     | GX620U1 | Serial Numbers |
|-----|---------------|---------------------------------|---------|----------------|
| 001 | 13010-ZJ1-841 | RING SET, PISTON (STD.)(NIPPON) | 2       |                |
| 001 | 13011-ZJ1-841 | RING SET, PISTON (0.25)(NIPPON) | (2)     |                |
| 001 | 13012-ZJ1-841 | RING SET, PISTON (0.50)(NIPPON) | (2)     |                |
| 001 | 13013-ZJ1-841 | RING SET, PISTON (0.75)(NIPPON) | (2)     |                |
| 002 | 13101-ZJ1-840 | PISTON (STD.)                   | 2       |                |
| 002 | 13102-ZJ1-840 | PISTON (0.25)                   | (2)     |                |
| 002 | 13103-ZJ1-840 | PISTON (0.50)                   | (2)     |                |
| 002 | 13104-ZJ1-840 | PISTON (0.75)                   | (2)     |                |
| 003 | 13111-ZJ1-840 | PIN, PISTON                     | 2       |                |
| 004 | 13200-ZJ1-841 | ROD ASSY., CONNECTING           | 2       |                |
| 005 | 90001-ZN1-000 | BOLT, CONNECTING ROD, 6X37      | 4       |                |
| 006 | 90551-ZE1-000 | CLIP, PISTON PIN, 18MM          | 4       |                |

GX620U1(QZB)

E-9 CAMSHAFT



| Ref | Partnumber    | Description               | GX620U1 | Serial Numbers |
|-----|---------------|---------------------------|---------|----------------|
| 001 | 12209-ZE8-003 | SEAL, VALVE STEM          | 2       |                |
| 002 | 14100-ZJ1-842 | CAMSHAFT ASSY.            | 1       |                |
| 003 | 14410-ZJ1-840 | ROD, PUSH                 | 4       |                |
| 004 | 14431-ZE2-010 | ARM, VALVE ROCKER         | 4       |                |
| 005 | 14451-ZE1-013 | PIVOT, ROCKER ARM         | 4       |                |
| 006 | 14568-ZJ1-841 | SPRING, WEIGHT RETURN     | 1       |                |
| 007 | 14576-ZJ1-840 | PIN, DECOMPER             | 1       |                |
| 008 | 14711-ZE3-000 | VALVE, IN.                | 2       |                |
| 009 | 14721-ZE3-000 | VALVE, EX.                | 2       |                |
| 010 | 14730-ZJ1-841 | LIFTER ASSY., VALVE       | 1       |                |
| 011 | 14751-ZE2-003 | SPRING, VALVE             | 4       |                |
| 012 | 14760-ZJ1-840 | SHAFT COMP., VALVE LIFTER | 1       |                |
| 013 | 14764-ZJ1-840 | SPRING, VALVE LIFTER      | 2       |                |



| <u>Ref</u> | <u>Partnumber</u> | <u>Description</u>         | <u>GX620U1</u> | <u>Serial Numbers</u> |
|------------|-------------------|----------------------------|----------------|-----------------------|
| 014        | 14771-ZE2-000     | RETAINER, IN. VALVE SPRING | 2              |                       |
| 015        | 14773-ZE2-000     | RETAINER, EX. VALVE SPRING | 2              |                       |
| 016        | 14775-ZE2-010     | SEAT, VALVE SPRING         | 2              |                       |
| 017        | 14781-ZE2-000     | ROTATOR, VALVE             | 2              |                       |
| 018        | 14791-ZE2-010     | PLATE, PUSH ROD GUIDE      | 2              |                       |
| 019        | 90005-896-000     | BOLT, FLANGE, 5X16         | 1              |                       |
| 020        | 90012-ZE0-010     | BOLT, PIVOT, 8MM           | 4              |                       |
| 021        | 90206-ZE1-000     | NUT, PIVOT ADJUSTING       | 4              |                       |
| 022        | 90446-357-000     | WASHER, THRUST, 17.2MM     | 1              |                       |
| 023        | 90602-ZE1-000     | CLIP, GOVERNOR HOLDER      | 2              |                       |
| 024        | 90702-GB6-910     | DOWEL PIN, 8X12            | 1              |                       |
| 025        | 94101-06800-      | WASHER, PLAIN, 6MM         | 4              |                       |
| 026        | 94305-60282-      | PIN, SPRING, 6X28          | 1              |                       |
| 027        | 95701-0602500     | BOLT, FLANGE, 6X25         | 1              |                       |