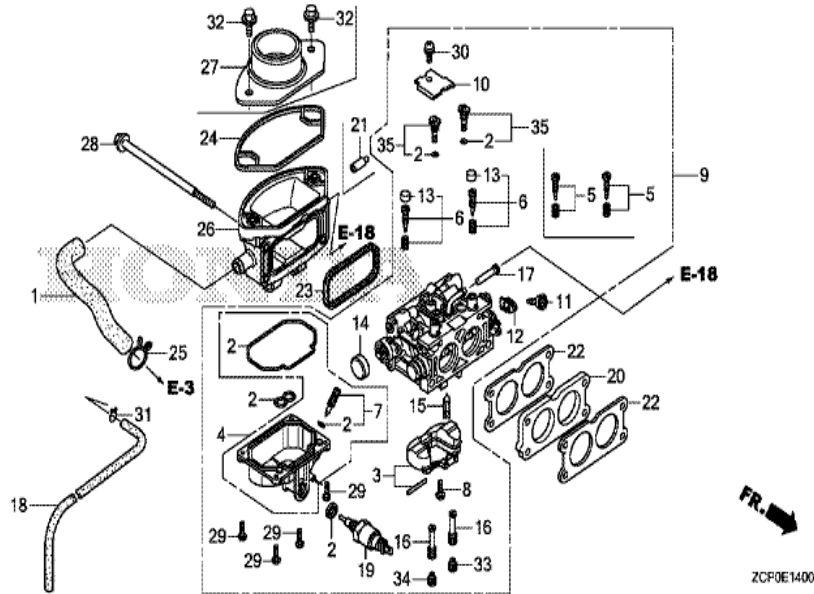


| <u>Ref</u> | <u>Partnumber</u> | <u>Description</u>      | <u>GX630RH</u> | <u>Serial Numbers</u> |
|------------|-------------------|-------------------------|----------------|-----------------------|
| 001        | 16715-Z6L-000     | COVER, FUEL PUMP        | 1              |                       |
| 002        | 19610-Z6L-000ZA   | COVER COMP., FAN *R280* | 1              |                       |
| 002        | 19610-Z6L-000ZB   | COVER COMP., FAN *NH1*  | 1              |                       |
| 003        | 19619-Z0A-300     | COLLAR, FAN COVER       | 10             |                       |
| 004        | 19621-Z6L-000     | PROTECTOR, FAN COVER    | 1              |                       |
| 006        | 19631-Z6L-000     | SHROUD, UPPER           | 1              |                       |
| 007        | 19641-Z6L-000     | SHROUD, R. LOWER        | 1              |                       |
| 008        | 19642-Z6L-800     | SHROUD, L. LOWER        | 1              |                       |
| 010        | 84601-HA7-670     | NUT, FENDER SETTING     | 2              |                       |
| 011        | 90005-ZCK-000     | SCREW, SPECIAL, 4X10    | 4              |                       |
| 013        | 90380-GM9-740     | SCREW, SPECIAL, 6X15    | 2              |                       |
| 014        | 93913-25580       | SCREW, TAPPING, 5X20    | 2              |                       |
| 016        | 95701-0601600     | BOLT, FLANGE, 6X16      | 3              |                       |
| <u>Ref</u> | <u>Partnumber</u> | <u>Description</u>      | <u>GX630RH</u> | <u>Serial Numbers</u> |
| 017        | 95701-0602000     | BOLT, FLANGE, 6X20      | 10             |                       |

GX630RH(QZB)

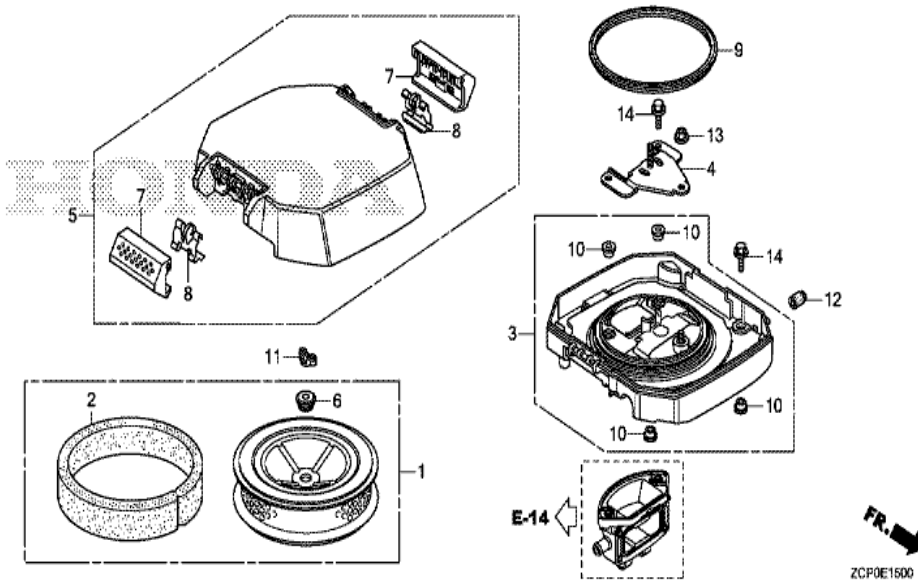
E-14 CARBURETOR



| <u>Ref</u> | <u>Partnumber</u> | <u>Description</u>         | <u>GX630RH</u> | <u>Serial Numbers</u> |
|------------|-------------------|----------------------------|----------------|-----------------------|
| 001        | 15721-Z6L-000     | TUBE, BREATHER             | 1              |                       |
| 002        | 16010-Z6L-003     | GASKET SET                 | 1              |                       |
| 003        | 16013-Z6L-003     | FLOAT SET                  | 1              |                       |
| 004        | 16015-Z6L-003     | CHAMBER SET, FLOAT         | 1              |                       |
| 006        | 16016-Z6L-801     | SCREW SET                  | 2              |                       |
| 007        | 16024-124-760     | SCREW SET, DRAIN           | 1              |                       |
| 008        | 16081-Z6L-003     | SCREW, FLOAT               | 1              |                       |
| 009        | 16100-Z9E-023     | CARBURETOR ASSY. (BK07A C) | 1              | 1019085               |
| 009        | 16100-Z9E-033     | CARBURETOR ASSY. (BK07A D) | 1              | 1019086               |
| 010        | 16113-Z6L-003     | PLATE                      | 1              |                       |
| 011        | 16124-ZE0-005     | SCREW, THROTTLE STOP       | 1              |                       |
| 012        | 16126-Z6L-003     | ARM, THROTTLE LINKAGE      | 1              |                       |
| 013        | 16134-Z6L-801     | CAP, ADJUSTING SCREW       | 2              |                       |
| <u>Ref</u> | <u>Partnumber</u> | <u>Description</u>         | <u>GX630RH</u> | <u>Serial Numbers</u> |
| 014        | 16148-141-881     | CAP, CHOKE DUST            | 1              |                       |
| 015        | 16155-Z6L-003     | VALVE COMP., FLOAT         | 1              |                       |
| 016        | 16166-Z9E-003     | NOZZLE, MAIN               | 2              |                       |
| 017        | 16176-Z2G-D51     | SCREEN, FUEL STRAINER      | 1              |                       |
| 018        | 16198-Z6L-000     | TUBE, DRAIN                | 1              |                       |
| 019        | 16200-Z6L-003     | VALVE ASSY., SOLENOID      | 1              |                       |
| 020        | 16211-Z6L-000     | INSULATOR, CARBURETOR      | 1              |                       |
| 022        | 16221-Z6L-000     | PACKING, CARBURETOR        | 2              |                       |
| 023        | 17228-Z6L-000     | PACKING, AIR CLEANER       | 1              |                       |
| 024        | 17229-Z6L-000     | SEAL, AIR CLEANER CASE     | 1              |                       |
| 025        | 17369-KB4-670     | CLIP, BREATHER TUBE        | 1              |                       |
| 026        | 17410-Z6L-000     | ELBOW COMP., AIR CLEANER   | 1              |                       |
| 028        | 90003-Z6L-000     | BOLT, FLANGE, 6X106        | 4              |                       |
| 028        | 90003-Z6L-010     | BOLT, FLANGE, 6X106        | 4              |                       |
| 029        | 93500-040121H     | SCREW, PAN, 4X12           | 4              |                       |
| 030        | 93892-0501018     | SCREW-WASHER, 5X10         | 1              |                       |
| 031        | 95002-02080       | CLIP, TUBE (B8)            | 1              |                       |
| 034        | 99101-ZH80980     | JET, MAIN, #98             | (1)            |                       |
| 034        | 99101-ZH81020     | JET, MAIN, #102            | (1)            |                       |
| 034        | 99101-ZH81100     | JET, MAIN, #110            | 1              |                       |
| 035        | 99204-ZE20400     | JET SET, PILOT, #40        | 2              |                       |

GX630RH(QZB)

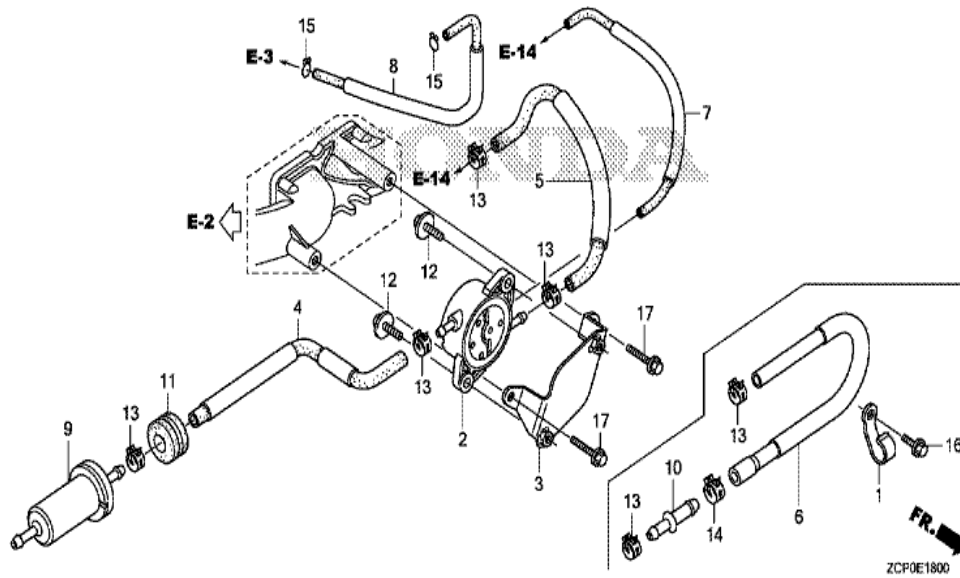
E-15 AIR CLEANER



| <u>Ref</u> | <u>Partnumber</u> | <u>Description</u>              | <u>GX630RH</u> | <u>Serial Numbers</u> |
|------------|-------------------|---------------------------------|----------------|-----------------------|
| 001        | 17210-Z6L-010     | ELEMENT COMP., AIR CLEANER      | 1              |                       |
| 002        | 17218-Z6L-000     | FILTER, OUTER                   | 1              |                       |
| 003        | 17220-Z6L-000     | CASE COMP., AIR CLEANER         | 1              |                       |
| 004        | 17223-Z6L-000     | STAY COMP., AIR CLEANER ELEMENT | 1              |                       |
| 005        | 17230-Z6L-000     | COVER COMP., AIR CLEANER        | 1              | 1026259               |
| 005        | 17230-Z6L-010     | COVER COMP., AIR CLEANER        | 1              | 1026260               |
| 006        | 17232-Z2E-000     | GROMMET, AIR CLEANER            | 1              |                       |
| 007        | 17235-Z6L-300     | KNOB, AIR CLEANER COVER         | 2              | 1026259               |
| 007        | 17235-Z6L-310     | KNOB, AIR CLEANER COVER         | 2              | 1026260               |
| 008        | 17236-Z6L-300     | SPRING, AIR CLEANER CASE COVER  | 2              |                       |
| 009        | 17417-Z6L-000     | PACKING, AIR CLEANER CASE       | 1              |                       |
| 010        | 19619-Z0A-300     | COLLAR, FAN COVER               | 4              |                       |
| 011        | 90325-044-000     | NUT, TOOL BOX SETTING           | 1              |                       |
| <u>Ref</u> | <u>Partnumber</u> | <u>Description</u>              | <u>GX630RH</u> | <u>Serial Numbers</u> |
| 012        | 90802-Z6L-000     | CAP, SEALING                    | 1              |                       |
| 013        | 94050-06000       | NUT, FLANGE, 6MM                | 1              |                       |
| 014        | 95701-0601800     | BOLT, FLANGE, 6X18              | 4              |                       |

GX630RH(QZB)

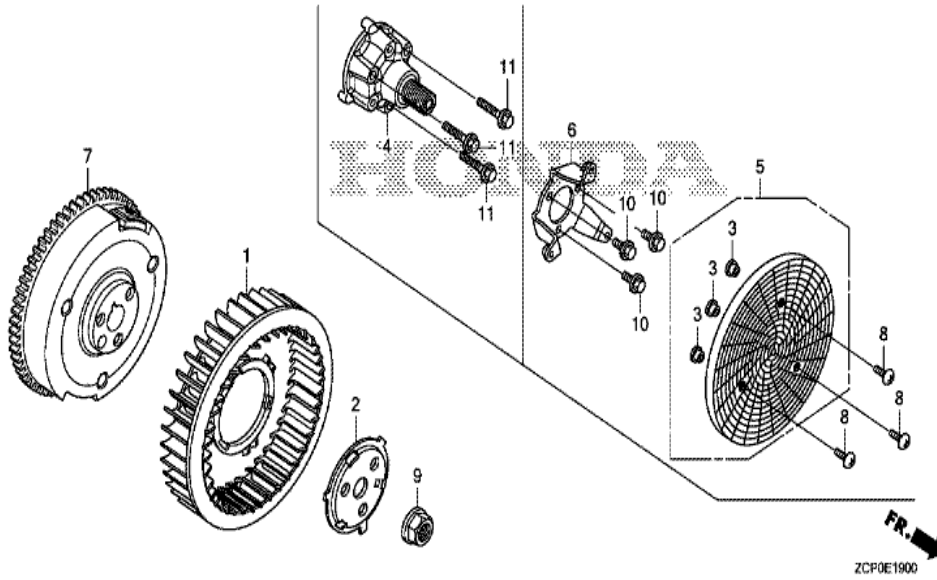
E-18 FUEL PUMP



| <u>Ref</u> | <u>Partnumber</u> | <u>Description</u>       | <u>GX630RH</u> | <u>Serial Numbers</u> |
|------------|-------------------|--------------------------|----------------|-----------------------|
| 002        | 16700-Z6L-003     | PUMP ASSY., FUEL         | 1              |                       |
| 003        | 16711-Z6L-000     | STAY, FUEL PUMP          | 1              |                       |
| 004        | 16850-Z6L-010     | TUBE COMP. A, FUEL (FKM) | 1              | 1039065               |
| 004        | 16850-Z6L-020     | TUBE COMP. A, FUEL (FKM) | 1              |                       |
| 005        | 16860-Z6L-000     | TUBE COMP. B, FUEL (FKM) | 1              |                       |
| 007        | 16870-Z6L-000     | TUBE, PURGE              | 1              |                       |
| 008        | 16882-Z6L-000     | TUBE, DIAPHRAGM          | 1              |                       |
| 009        | 16910-Z6L-003     | STRAINER COMP., FUEL     | 1              |                       |
| 011        | 80152-958-680     | RUBBER, RR. FENDER       | 1              |                       |
| 012        | 93894-0601600     | SCREW-WASHER, 6X16       | 2              |                       |
| 013        | 95002-4100008     | CLAMP, TUBE (D10)        | 4              |                       |
| 015        | 95002-70000       | CLIP, TUBE (C11)         | 2              |                       |
| 017        | 95701-0601400     | BOLT, FLANGE, 6X14       | 2              |                       |

GX630RH(QZB)

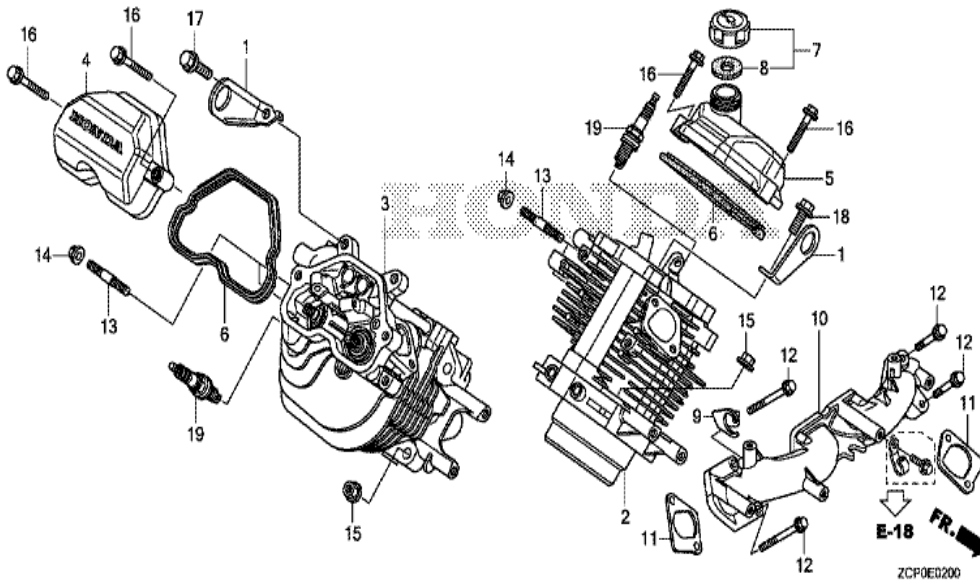
E-19 FLYWHEEL



| <u>Ref</u> | <u>Partnumber</u> | <u>Description</u>         | <u>GX630RH</u> | <u>Serial Numbers</u> |
|------------|-------------------|----------------------------|----------------|-----------------------|
| 001        | 19511-Z6L-000     | FAN, COOLING               | 1              |                       |
| 002        | 19513-Z6L-000     | PLATE, COOLING FAN SETTING | 1              |                       |
| 007        | 31110-Z6L-003     | FLYWHEEL COMP.             | 1              |                       |
| 009        | 90201-Z6L-000     | NUT, SPECIAL (20MM)        | 1              |                       |
| 009        | 90201-Z6L-010     | NUT, SPECIAL (20MM)        | 1              |                       |

GX630RH(QZB)

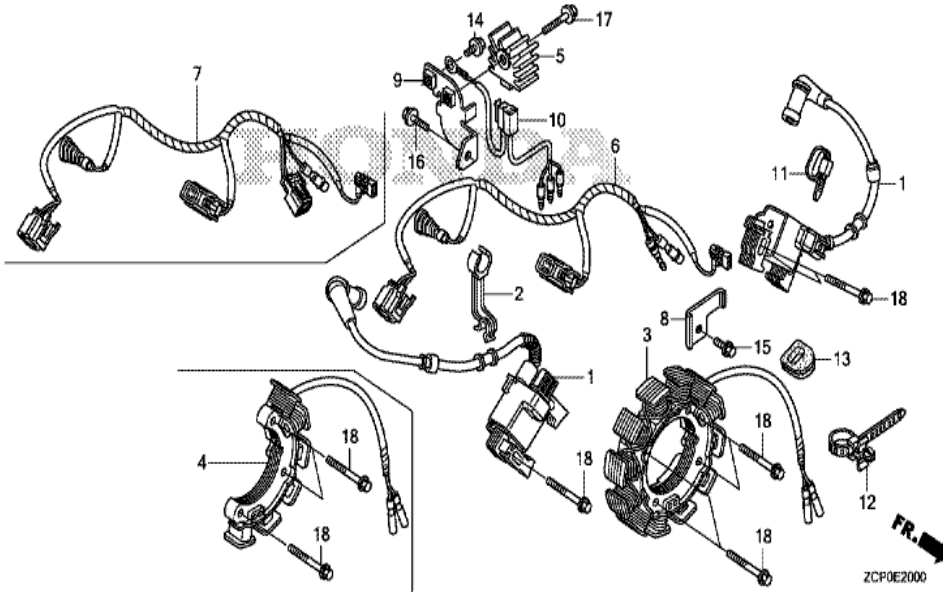
E-2 CYLINDER HEAD



| <u>Ref</u> | <u>Partnumber</u> | <u>Description</u>        | <u>GX630RH</u> | <u>Serial Numbers</u> |
|------------|-------------------|---------------------------|----------------|-----------------------|
| 001        | 11911-Z6L-000     | HANGER, ENGINE            | 2              |                       |
| 002        | 12110-Z6L-010     | HEAD COMP., CYLINDER (#1) | 1              |                       |
| 003        | 12120-Z6L-010     | HEAD COMP., CYLINDER (#2) | 1              |                       |
| 004        | 12311-Z6L-000     | COVER, CYLINDER HEAD      | 1              |                       |
| 005        | 12311-Z6L-800     | COVER, CYLINDER HEAD      | 1              |                       |
| 006        | 12312-Z6L-000     | PACKING, HEAD COVER       | 2              |                       |
| 007        | 15600-Z6L-000     | CAP ASSY., OIL FILLER     | 1              |                       |
| 008        | 15625-Z6L-000     | PACKING, OIL FILLER CAP   | 1              |                       |
| 009        | 16722-Z6L-010     | STAY, FUEL TUBE GROMMET   | 1              |                       |
| 010        | 17101-Z6L-010     | MANIFOLD, IN.             | 1              |                       |
| 011        | 17151-Z6L-010     | PACKING, INTAKE MANIFOLD  | 2              |                       |
| 012        | 90006-Z6L-000     | BOLT, FLANGE, 8X55        | 4              |                       |
| 013        | 92900-080220E     | BOLT, STUD, 8X22          | 4              |                       |
| <u>Ref</u> | <u>Partnumber</u> | <u>Description</u>        | <u>GX630RH</u> | <u>Serial Numbers</u> |
| 014        | 94050-08000       | NUT, FLANGE, 8MM          | 4              |                       |
| 015        | 94050-10000       | NUT, FLANGE, 10MM         | 8              |                       |
| 016        | 95701-0603000     | BOLT, FLANGE, 6X30        | 4              |                       |
| 017        | 95701-0801600     | BOLT, FLANGE, 8X16        | 1              |                       |
| 018        | 95701-0801600     | BOLT, FLANGE, 8X16        | 1              |                       |
| 019        | 98079-5587G       | PLUG, SPARK (ZFR5F)       | 2              |                       |

GX630RH(QZB)

E-20 IGNITION COIL

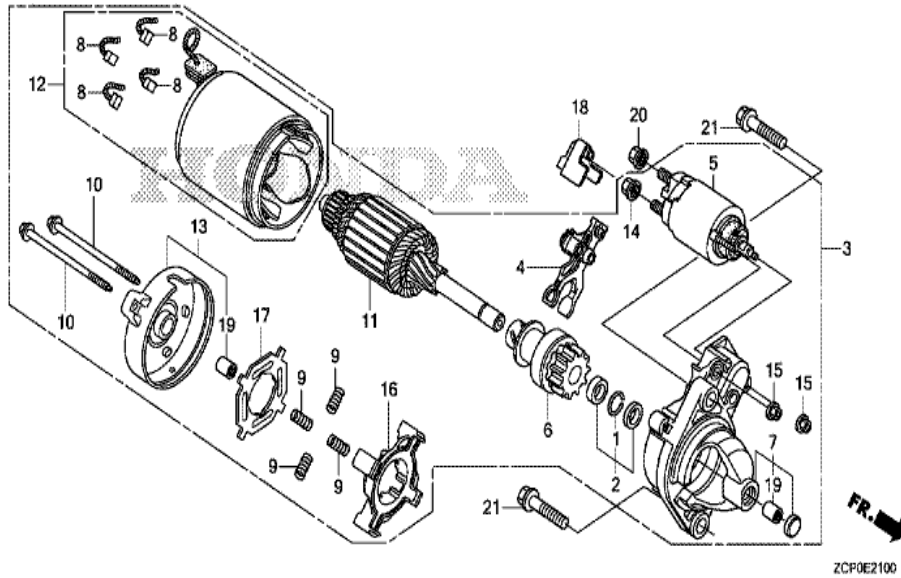


ZCP0E2000

| <u>Ref</u> | <u>Partnumber</u> | <u>Description</u>         | <u>GX630RH</u> | <u>Serial Numbers</u> |
|------------|-------------------|----------------------------|----------------|-----------------------|
| 001        | 30500-Z6L-023     | COIL ASSY., IGNITION       | 2              | 1002109               |
| 001        | 30500-Z6L-033     | COIL ASSY., IGNITION       | 2              | 1002110               |
| 001        | 30500-Z6L-043     | COIL ASSY., IGNITION       | 2              |                       |
| 002        | 30551-Z6L-000     | CLAMP, HIGH TENSION CORD   | 1              |                       |
| 003        | 31630-Z6L-003     | COIL ASSY., CHARGE (17A)   | 1              |                       |
| 007        | 32110-Z6L-830     | HARNESS ASSY., ENGINE WIRE | 1              |                       |
| 008        | 32114-Z6L-000     | BRACKET, HARNESS           | 1              |                       |
| 011        | 90650-KV6-003     | BAND, WIRE, 95MM           | 1              |                       |
| 013        | 91601-Z6L-000     | GROMMET, CORD              | 1              |                       |
| 015        | 95701-0601200     | BOLT, FLANGE, 6X12         | 1              |                       |
| 018        | 95701-0603200     | BOLT, FLANGE, 6X32         | 8              |                       |

GX630RH(QZB)

E-21 STARTER MOTOR

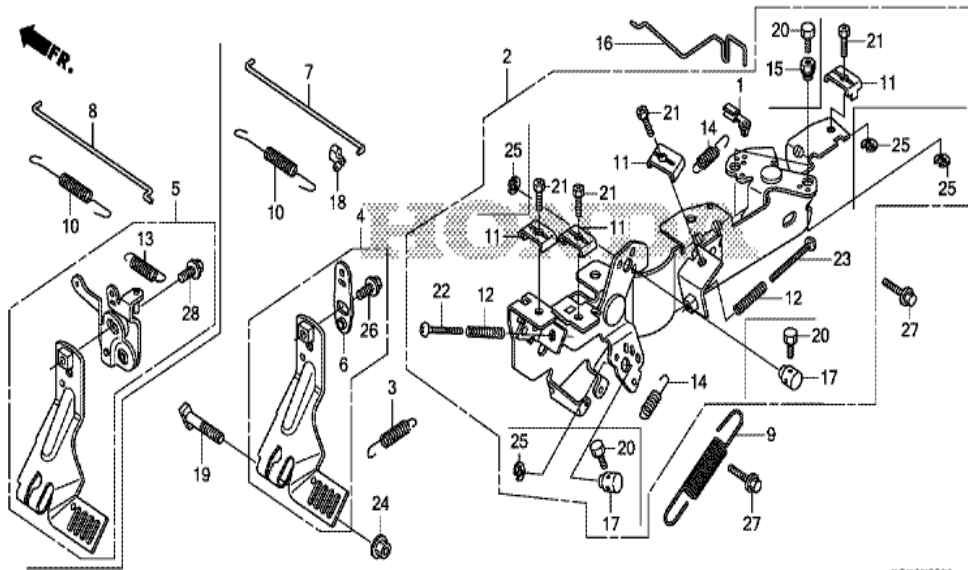


| <u>Ref</u> | <u>Partnumber</u> | <u>Description</u>          | <u>GX630RH</u> | <u>Serial Numbers</u> |
|------------|-------------------|-----------------------------|----------------|-----------------------|
| 001        | 30201-PH9-004     | RING, SNAP (DENSO)          | 1              |                       |
| 002        | 30202-PZ1-003     | COLLAR SET, CLUTCH STOP     | 1              |                       |
| 003        | 31200-Z6L-003     | MOTOR ASSY., STARTER        | 1              |                       |
| 004        | 31203-PH9-004     | LEVER, PINION DRIVE         | 1              |                       |
| 005        | 31204-ZJ1-H02     | SWITCH ASSY., MAGNET        | 1              |                       |
| 006        | 31207-ZE9-H01     | CLUTCH COMP., OVERRUNNING   | 1              |                       |
| 007        | 31208-Z6L-003     | HOUSING COMP., DRIVE SIDE   | 1              |                       |
| 008        | 31211-PH9-004     | BRUSH                       | 4              |                       |
| 009        | 31212-PH9-004     | SPRING, BRUSH               | 4              |                       |
| 010        | 31214-PH9-004     | BOLT, THROUGH               | 2              |                       |
| 011        | 31217-Z0A-003     | ARMATURE COMP.              | 1              |                       |
| 012        | 31218-P64-N01     | YOKE COMP.                  | 1              |                       |
| 013        | 31219-Z6L-003     | FRAME COMP., COMMUTATOR END | 1              |                       |
| <u>Ref</u> | <u>Partnumber</u> | <u>Description</u>          | <u>GX630RH</u> | <u>Serial Numbers</u> |
| 014        | 31220-PH9-004     | NUT, HEX., 8MM              | 1              |                       |
| 015        | 31223-PA0-006     | NUT, HEX. (6MM)             | 2              |                       |
| 016        | 31231-PH9-004     | HOLDER, BRUSH               | 1              |                       |
| 017        | 31233-PH9-004     | INSULATOR, BRUSH HOLDER     | 1              |                       |
| 018        | 31234-Z6L-000     | COVER, TERMINAL             | 1              |                       |
| 019        | 91002-ZG4-801     | BEARING A                   | 2              |                       |
| 020        | 94070-08080       | NUT-WASHER, 8MM             | 1              |                       |
| 021        | 95701-1004000     | BOLT, FLANGE, 10X40         | 2              |                       |



GX630RH(QZB)

E-22 CONTROL

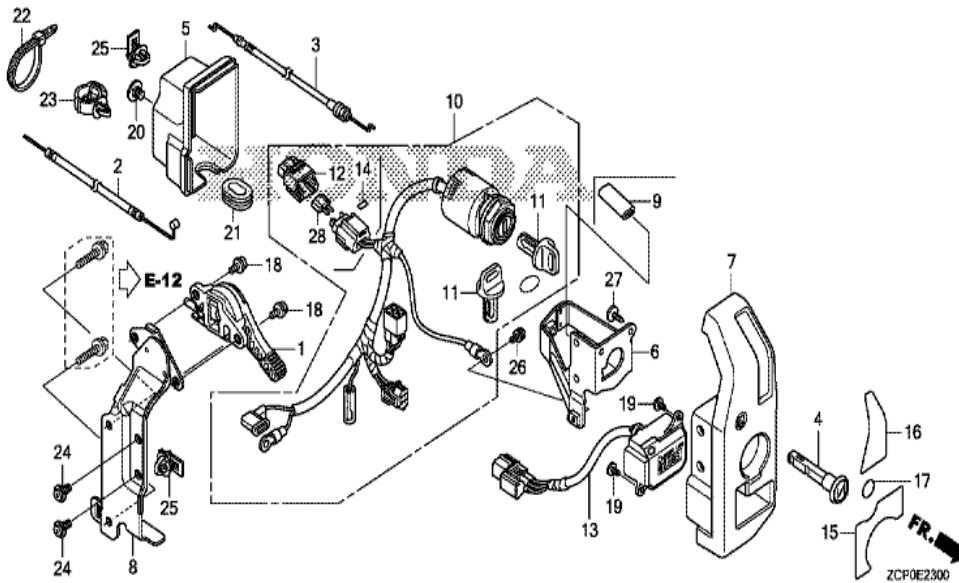


ZCP0E2200

| <u>Ref</u> | <u>Partnumber</u> | <u>Description</u>        | <u>GX630RH</u> | <u>Serial Numbers</u> |
|------------|-------------------|---------------------------|----------------|-----------------------|
| 001        | 16263-Z0G-010     | JOINT, ROD                | 1              |                       |
| 002        | 16500-Z6L-832     | CONTROL ASSY.             | 1              |                       |
| 003        | 16534-Z6L-000     | SPRING, STARTER           | 1              |                       |
| 004        | 16550-Z6L-020     | ARM COMP., GOVERNOR       | 1              |                       |
| 006        | 16553-Z6L-010     | ARM, SUB                  | 1              |                       |
| 007        | 16555-Z6L-010     | ROD, GOVERNOR             | 1              |                       |
| 009        | 16561-Z6L-000     | SPRING, GOVERNOR          | 1              |                       |
| 010        | 16562-Z6L-010     | SPRING, THROTTLE RETURN   | 1              |                       |
| 011        | 16576-891-000     | HOLDER, CABLE             | 4              |                       |
| 012        | 16584-883-300     | SPRING, CONTROL ADJUSTING | 2              |                       |
| 014        | 16592-ZJ1-000     | SPRING, CABLE RETURN      | 2              |                       |
| 016        | 16611-Z6L-010     | ROD, CHOKE CONTROL        | 1              |                       |
| 017        | 16617-Z6L-000     | HOLDER, CABLE             | 2              |                       |
| <u>Ref</u> | <u>Partnumber</u> | <u>Description</u>        | <u>GX630RH</u> | <u>Serial Numbers</u> |
| 018        | 17957-Z6L-003     | BUSH, LINKAGE             | 1              |                       |
| 019        | 90015-ZE3-790     | BOLT, GOVERNOR ARM        | 1              |                       |
| 020        | 92301-040060H     | BOLT, RECESSED, 4X6       | 2              |                       |
| 021        | 92301-050160A     | BOLT, RECESSED, 5X16      | 4              |                       |
| 022        | 93500-050300A     | SCREW, PAN, 5X30          | 1              |                       |
| 023        | 93500-050450A     | SCREW, PAN, 5X45          | 1              |                       |
| 024        | 94050-06000       | NUT, FLANGE, 6MM          | 1              |                       |
| 025        | 94540-05018       | E-RING, 5MM               | 2              |                       |
| 026        | 95701-0601000     | BOLT, FLANGE, 6X10        | 1              |                       |
| 027        | 95701-0601400     | BOLT, FLANGE, 6X14        | 2              |                       |

GX630RH(QZB)

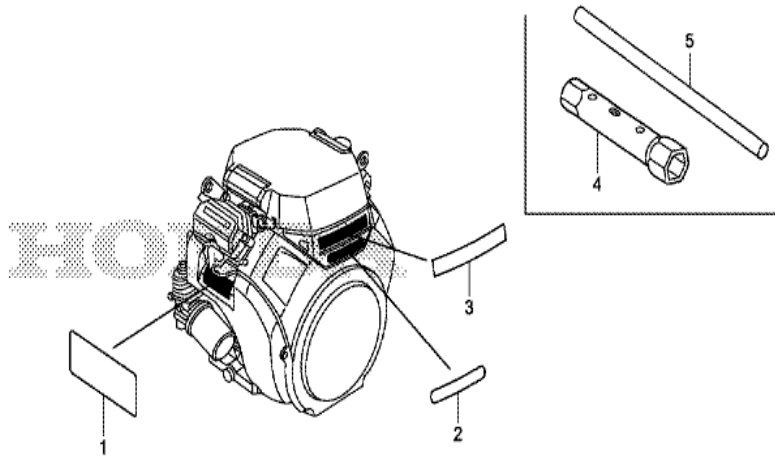
E-23 CONTROL BOX



| <u>Ref</u> | <u>Partnumber</u> | <u>Description</u>                  | <u>GX630RH</u> | <u>Serial Numbers</u> |
|------------|-------------------|-------------------------------------|----------------|-----------------------|
| 001        | 17850-Z6L-003     | LEVER ASSY., THROTTLE               | 1              |                       |
| 002        | 17910-Z6L-000     | CABLE COMP., THROTTLE               | 1              |                       |
| 003        | 17950-Z6L-000     | CABLE COMP., CHOKE                  | 1              |                       |
| 004        | 17951-ZCL-000     | KNOB, CHOKE                         | 1              | 1098684               |
| 004        | 17951-ZV1-000     | KNOB, CHOKE                         | 1              | 1098683               |
| 005        | 31612-Z6L-000     | COVER, CONTROL                      | 1              |                       |
| 006        | 31614-Z6L-000     | BRACKET, SWITCH BOX                 | 1              |                       |
| 007        | 32346-Z6L-000     | PANEL, CONTROL                      | 1              |                       |
| 008        | 32347-Z6L-000     | BRACKET, CONTROL BOX                | 1              |                       |
| 010        | 35100-Z6L-003     | SWITCH ASSY., COMBINATION           | 1              |                       |
| 011        | 35110-ZV5-V50     | KEY ASSY., COMBINATION SWITCH (W05) | 2              |                       |
| 012        | 38216-Z2E-003     | COVER ASSY., FUSE                   | 1              |                       |
| 013        | 39700-Z6L-003     | METER ASSY., HOUR                   | 1              |                       |
| <u>Ref</u> | <u>Partnumber</u> | <u>Description</u>                  | <u>GX630RH</u> | <u>Serial Numbers</u> |
| 014        | 87117-Z2E-800     | LABEL, FUSE (30A)                   | 1              |                       |
| 015        | 87501-Z6L-000     | MARK, ENGINE SWITCH                 | 1              |                       |
| 016        | 87502-Z6L-000     | MARK, THROTTLE SWITCH               | 1              |                       |
| 018        | 90011-Z0H-811     | BOLT, SOCKET, 5X9                   | 2              |                       |
| 019        | 90101-SP1-003     | SCREW, TAPPING, 3X8 (PO)            | 2              |                       |
| 020        | 90380-MB2-000     | SCREW, SPECIAL, 6X8                 | 1              |                       |
| 021        | 90601-Z6L-000     | GROMMET, CONTROL BOX                | 1              |                       |
| 022        | 90650-KV6-003     | BAND, WIRE, 95MM                    | 1              |                       |
| 023        | 90681-763-A01     | CLIP, WIRE HARNESS                  | 1              |                       |
| 024        | 91508-GN2-000     | SCREW, PAN, 5X10.5                  | 2              |                       |
| 025        | 91565-SEL-003     | CLIP, COUPLER (BLACK)               | 2              |                       |
| 026        | 93893-0500807     | SCREW-WASHER, 5X8                   | 1              |                       |
| 027        | 93913-25310       | SCREW, TAPPING, 5X14 (PO)           | 1              |                       |
| 028        | 98200-43000       | FUSE, MINI (30A)                    | 1              |                       |

GX630RH(QZB)

E-28 LABEL/TOOL

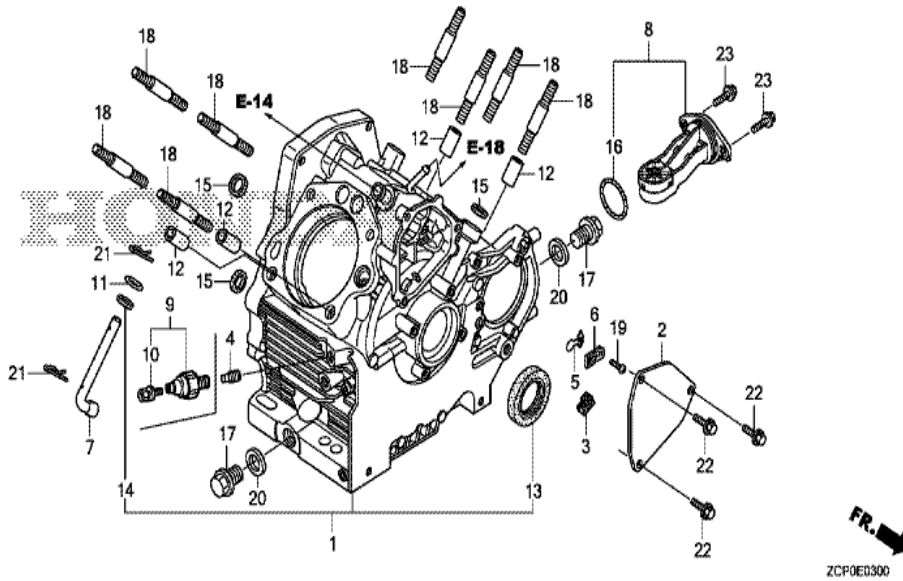


ZCF0E2800A

| <u>Ref</u> | <u>Partnumber</u> | <u>Description</u>                       | <u>GX630RH</u> | <u>Serial Numbers</u> |
|------------|-------------------|--|----------------|-----------------------|
| 001        | 87516-ZCN-000     | MARK, OPERATOR CAUTION (ENGLISH) (MADE I | 1              |                       |
| 002        | 87521-Z6N-000     | EMBLEM (GX630)                           | 1              |                       |
| 003        | 87531-Z6L-000     | MARK, HONDA                              | 1              |                       |

GX630RH(QZB)

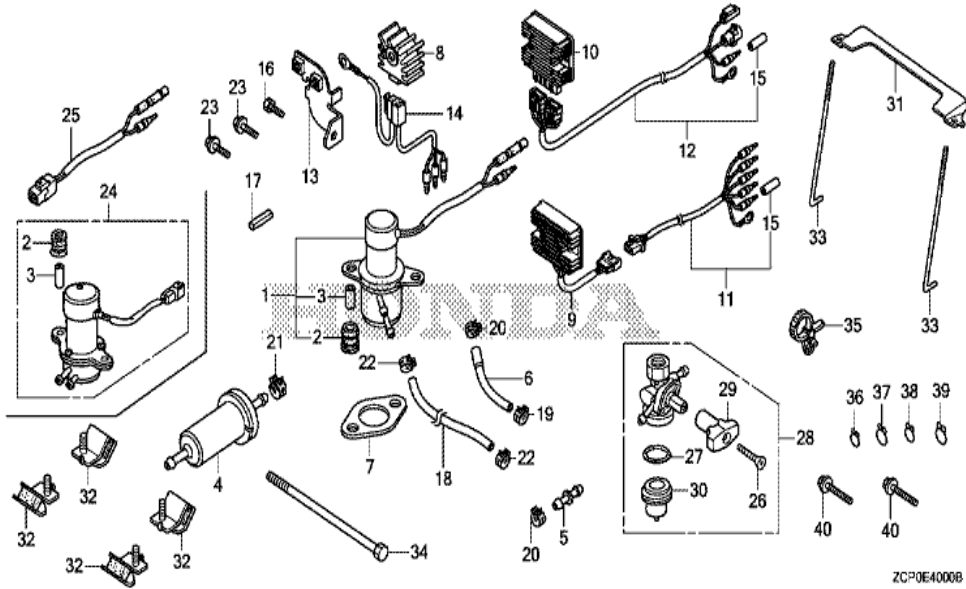
E-3 CRANKCASE



| <u>Ref</u> | <u>Partnumber</u> | <u>Description</u>       | <u>GX630RH</u> | <u>Serial Numbers</u> |
|------------|-------------------|--------------------------|----------------|-----------------------|
| 001        | 11100-Z6L-801     | CRANKCASE ASSY.          | 1              |                       |
| 002        | 12356-Z6L-000     | COVER, BREATHER          | 1              |                       |
| 003        | 12367-Z6L-000     | FILTER, BREATHER         | 1              |                       |
| 004        | 15424-Z6L-000     | BOLT, SEALING            | 1              |                       |
| 005        | 15571-ZM7-003     | VALVE, OIL OUTLET        | 1              |                       |
| 006        | 15572-Z6L-000     | PLATE, STOPPER           | 1              |                       |
| 007        | 16541-Z6L-010     | SHAFT, GOVERNOR ARM      | 1              |                       |
| 008        | 35480-Z6L-003     | SWITCH ASSY., OIL LEVEL  | 1              |                       |
| 011        | 90404-Z6L-000     | WASHER, PLAIN (10MM)     | 1              |                       |
| 012        | 90709-Z6L-000     | DOWEL PIN, 12X20         | 4              |                       |
| 013        | 91201-Z6L-003     | OIL SEAL, 38X58X9        | 1              |                       |
| 014        | 91203-Z6L-003     | OIL SEAL, 10X16X5        | 1              |                       |
| 015        | 91308-Z6L-003     | PACKING, OIL PASS        | 3              |                       |
| <u>Ref</u> | <u>Partnumber</u> | <u>Description</u>       | <u>GX630RH</u> | <u>Serial Numbers</u> |
| 016        | 91309-Z6L-000     | O-RING, 37.9X2.4         | 1              |                       |
| 017        | 92800-20000       | BOLT, DRAIN PLUG, 20MM   | 2              |                       |
| 018        | 92900-100400B     | BOLT, STUD, 10X40        | 8              |                       |
| 019        | 93500-030080A     | SCREW, PAN, 3X8          | 1              |                       |
| 020        | 94109-20000       | WASHER, DRAIN PLUG, 20MM | 2              |                       |
| 021        | 94251-10000       | PIN, LOCK, 10MM          | 2              |                       |
| 022        | 95701-0601400     | BOLT, FLANGE, 6X14       | 3              |                       |
| 023        | 95701-0601600     | BOLT, FLANGE, 6X16       | 2              |                       |

GX630RH(QZB)

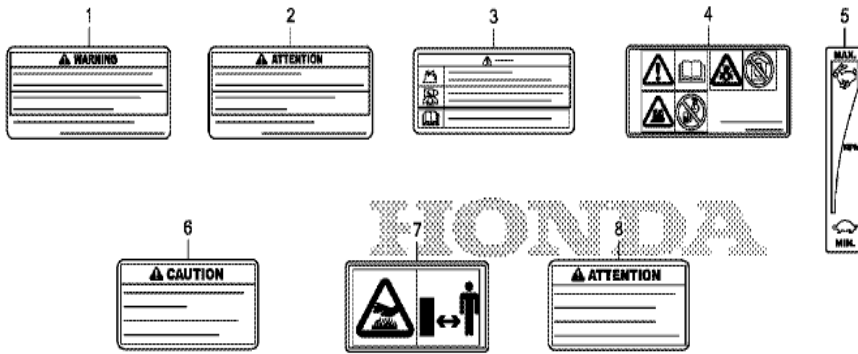
E-40 OTHER PARTS (FUEL PUMP) (REGULATOR RECTIFIER)



ZCP0E4000B

| <u>Ref</u> | <u>Partnumber</u> | <u>Description</u>               | <u>GX630RH</u> | <u>Serial Numbers</u> |
|------------|-------------------|----------------------------------|----------------|-----------------------|
| 007        | 18333-ZE3-801     | GASKET, EX. PIPE                 | 2              |                       |
| 009        | 31750-Z2E-803     | RECTIFIER ASSY., REGULATOR (20A) | 1              |                       |
| 011        | 32105-Z6L-000     | HARNESS ASSY., SUB WIRE          | 1              |                       |
| 015        | 32824-ZV5-003     | PLUG, OUTER CONNECTOR            | 1              |                       |

|              |                            |
|--------------|----------------------------|
| GX630RH(QZB) | E-40-1 OTHER PARTS (LABEL) |
|--------------|----------------------------|

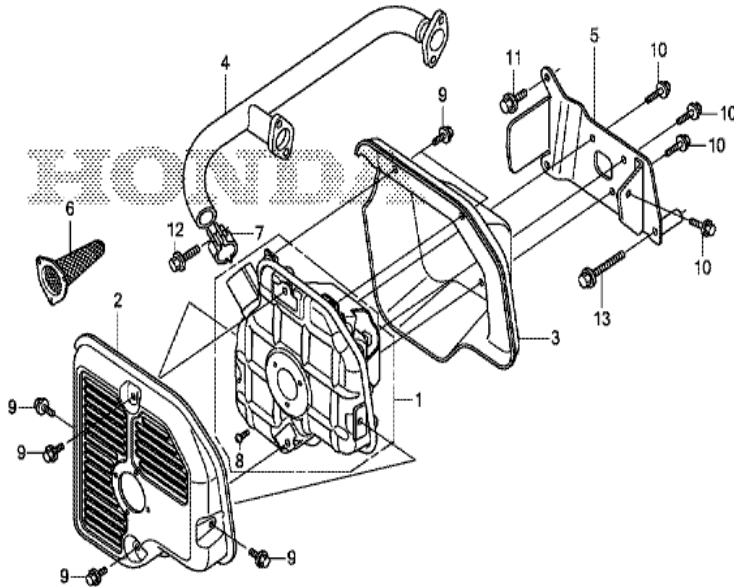


ZCP0E4001

| <u>Ref</u> | <u>Partnumber</u> | <u>Description</u>                  | <u>GX630RH</u> | <u>Serial Numbers</u> |
|------------|-------------------|-------------------------------------|----------------|-----------------------|
| 002        | 87516-ZCN-800     | MARK, OPERATOR CAUTION (FRENCH)     | 1              |                       |
| 004        | 87519-ZCP-000     | MARK, OPERATOR CAUTION (PICTOGRAPH) | 1              |                       |
| 006        | 87539-Z0J-000     | MARK, EX. CAUTION (ENGLISH)         | 1              |                       |
| 007        | 87539-Z0J-800     | MARK, EX. CAUTION (PICTOGRAPH)      | (1)            |                       |
| 008        | 87539-Z0J-810     | MARK, EX. CAUTION (FRENCH)          | 1              |                       |

GX630RH(QZB)

E-40-3 OTHER PARTS (MUFFLER) (SIDE MOUNT)

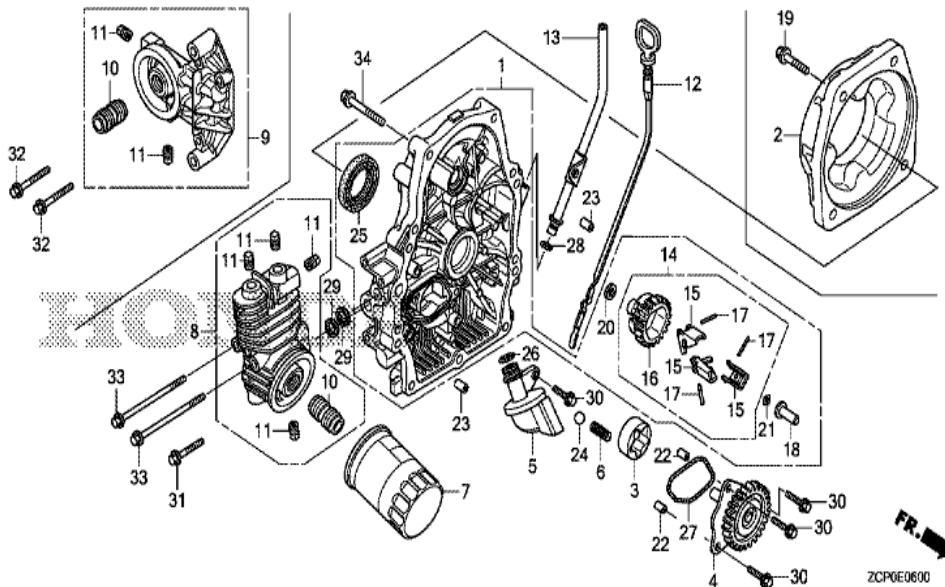


ZCP0E4003

| <u>Ref</u> | <u>Partnumber</u> | <u>Description</u>           | <u>GX630RH</u> | <u>Serial Numbers</u> |
|------------|-------------------|------------------------------|----------------|-----------------------|
| 001        | 18310-Z6L-810     | MUFFLER COMP.                | 1              | 1086734               |
| 001        | 18310-ZCK-810     | MUFFLER COMP.                | 1              |                       |
| 002        | 18321-Z6L-802     | PROTECTOR, MUFFLER (OUTSIDE) | 1              | 1086734               |
| 002        | 18321-ZCK-810     | PROTECTOR, MUFFLER (OUTSIDE) | 1              |                       |
| 003        | 18325-Z6L-801     | PROTECTOR, MUFFLER (INSIDE)  | 1              | 1086734               |
| 003        | 18325-ZCK-810     | PROTECTOR, MUFFLER (INSIDE)  | 1              |                       |
| 004        | 18330-Z6L-801     | PIPE COMP., EX.              | 1              | 1086734               |
| 004        | 18330-ZCK-810     | PIPE COMP., EX.              | 1              |                       |
| 005        | 18338-Z6L-800     | STAY, MUFFLER                | 1              | 1086734               |
| 005        | 18338-ZCK-810     | STAY, MUFFLER                | 1              |                       |
| 006        | 18355-Z6L-800     | ARRESTER, SPARK              | (1)            |                       |
| 007        | 18371-Z6L-000     | BAND, MUFFLER                | 1              | 1086734               |
| 007        | 18371-ZCK-810     | BAND, MUFFLER                | 1              |                       |
| <u>Ref</u> | <u>Partnumber</u> | <u>Description</u>           | <u>GX630RH</u> | <u>Serial Numbers</u> |
| 008        | 93500-040084J     | SCREW, PAN, 4X8              | 3              |                       |
| 009        | 95701-0600800     | BOLT, FLANGE, 6X8            | 6              |                       |
| 010        | 95701-0601200     | BOLT, FLANGE, 6X12           | 4              |                       |
| 011        | 95701-0802000     | BOLT, FLANGE, 8X20           | 2              |                       |
| 012        | 95701-0803000     | BOLT, FLANGE, 8X30           | 1              |                       |
| 013        | 95701-0806000     | BOLT, FLANGE, 8X60           | 1              | 1086734               |
| 013        | 95701-0806500     | BOLT, FLANGE, 8X65           | 1              |                       |

GX630RH(QZB)

E-6 CRANKCASE COVER

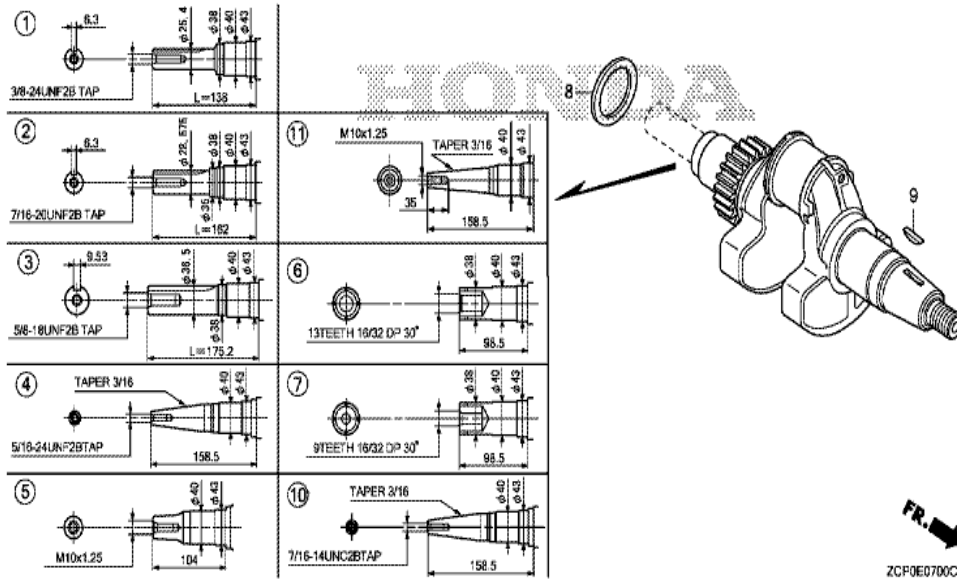


| <u>Ref</u> | <u>Partnumber</u> | <u>Description</u>                   | <u>GX630RH</u> | <u>Serial Numbers</u> |
|------------|-------------------|--------------------------------------|----------------|-----------------------|
| 001        | 11300-Z6L-010     | COVER ASSY., CRANKCASE               | 1              |                       |
| 003        | 15133-Z6L-000     | ROTOR, OIL PUMP OUTER                | 1              |                       |
| 004        | 15140-Z6L-010     | GEAR COMP., OIL PUMP                 | 1              |                       |
| 005        | 15220-Z6L-000     | STRAINER COMP., OIL                  | 1              |                       |
| 006        | 15232-Z6L-000     | SPRING, RELIEF VALVE                 | 1              |                       |
| 007        | 15400-RTA-003     | CARTRIDGE, OIL FILTER (MAHLE TENNEX) | 1              |                       |
| 007        | 15400-RTA-004     | CARTRIDGE, OIL FILTER (TOYO ROKI)    | 1              |                       |
| 009        | 15410-Z6L-800     | BASE COMP., OIL FILTER               | 1              |                       |
| 010        | 15423-Z6L-000     | HOLDER, OIL FILTER                   | 1              |                       |
| 011        | 15424-Z6L-000     | BOLT, SEALING                        | 2              |                       |
| 012        | 15655-Z6L-000     | GAUGE COMP., OIL LEVEL               | 1              |                       |
| 013        | 15665-Z6L-000     | PIPE COMP., OIL LEVEL                | 1              |                       |
| 014        | 16510-Z6L-010     | GOVERNOR ASSY.                       | 1              |                       |
| <u>Ref</u> | <u>Partnumber</u> | <u>Description</u>                   | <u>GX630RH</u> | <u>Serial Numbers</u> |
| 015        | 16511-Z6L-310     | WEIGHT, GOVERNOR                     | 3              |                       |
| 016        | 16512-Z6L-310     | HOLDER, GOVERNOR WEIGHT              | 1              |                       |
| 017        | 16513-Z6L-000     | PIN, GOVERNOR WEIGHT                 | 3              |                       |
| 018        | 16531-Z6L-000     | SLIDER, GOVERNOR                     | 1              |                       |
| 020        | 90403-Z6L-000     | WASHER, 6X16                         | 1              |                       |
| 021        | 90602-ZE1-000     | CLIP, GOVERNOR HOLDER                | 1              |                       |
| 022        | 90707-Z6L-000     | DOWEL PIN, 8X10                      | 2              |                       |
| 023        | 90708-Z6L-000     | DOWEL PIN, 8X14                      | 2              |                       |
| 024        | 90902-Z6L-000     | BALL, STEEL, #15 (15/32)             | 1              |                       |
| 025        | 91202-Z6L-003     | OIL SEAL, 38X58X9                    | 1              |                       |
| 026        | 91301-Z6L-003     | O-RING, 14.8X2.4                     | 1              |                       |
| 027        | 91302-Z6L-003     | O-RING, OIL PUMP                     | 1              |                       |
| 028        | 91308-PH9-000     | O-RING, 8.8X1.9                      | 1              |                       |
| 029        | 91308-Z6L-003     | PACKING, OIL PASS                    | 2              |                       |
| 030        | 95701-0602000     | BOLT, FLANGE, 6X20                   | 4              |                       |
| 031        | 95701-0602800     | BOLT, FLANGE, 6X28                   | 1              |                       |
| 032        | 95701-0603500     | BOLT, FLANGE, 6X35                   | 2              |                       |
| 034        | 95701-0804500     | BOLT, FLANGE, 8X45                   | 9              |                       |



GX630RH(QZB)

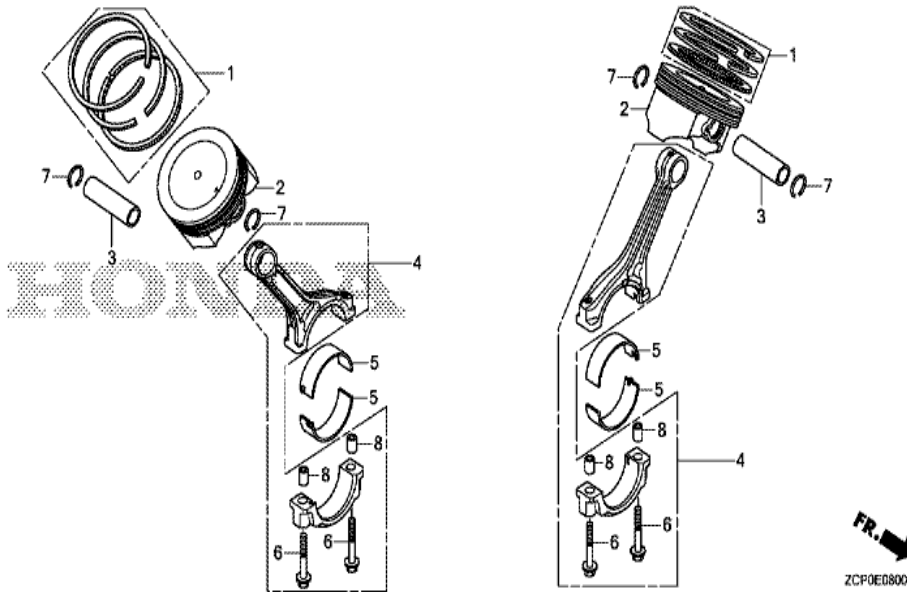
E-7 CRANKSHAFT



| Ref | Partnumber    | Description                  | GX630RH | Serial Numbers |
|-----|---------------|------------------------------|---------|----------------|
| 001 | 13310-Z6L-000 | CRANKSHAFT COMP. (L=138)     | 1       |                |
| 008 | 90402-Z6L-000 | WASHER, CRANKSHAFT THRUST    | 1       |                |
| 009 | 90741-ZE2-000 | KEY, SPECIAL WOODRUFF, 25X18 | 1       |                |

GX630RH(QZB)

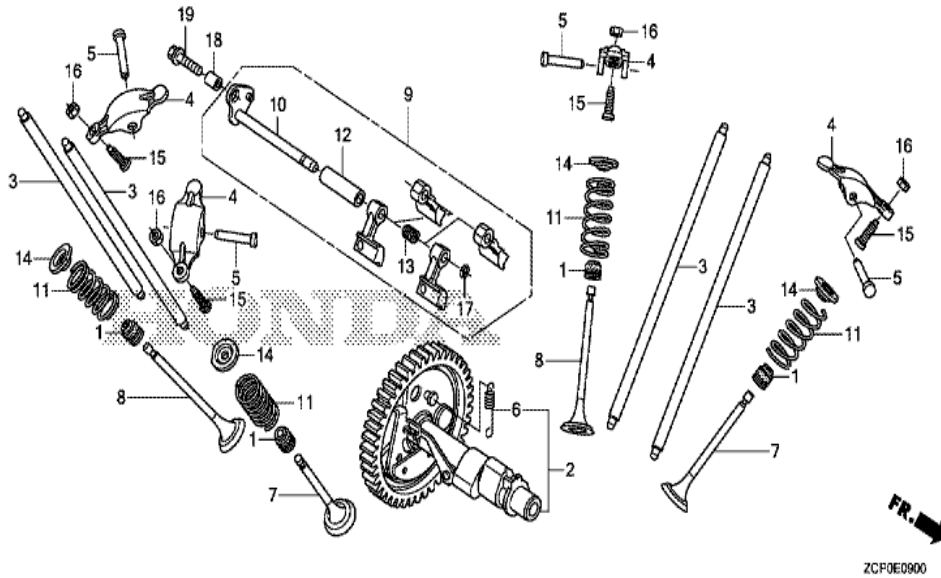
E-8 PISTON



| <u>Ref</u> | <u>Partnumber</u> | <u>Description</u>                | <u>GX630RH</u> | <u>Serial Numbers</u> |
|------------|-------------------|-----------------------------------|----------------|-----------------------|
| 001        | 13010-Z6L-003     | RING SET, PISTON (STD.) (TEIKOKU) | 2              |                       |
| 002        | 13101-Z6L-020     | PISTON                            | 2              |                       |
| 003        | 13111-Z6L-000     | PIN, PISTON                       | 2              |                       |
| 004        | 13210-Z6L-000     | ROD ASSY., CONNECTING             | 2              |                       |
| 005        | 13211-Z6L-003     | BEARING A, CONNECTING ROD         | 4              |                       |
| 006        | 90001-Z6L-000     | BOLT, CONNECTING ROD, 7X38        | 4              |                       |
| 007        | 90551-ZE1-000     | CLIP, PISTON PIN, 18MM            | 4              |                       |
| 008        | 90705-Z6L-000     | DOWEL PIN, 9X10                   | 4              |                       |

GX630RH(QZB)

E-9 CAMSHAFT



ZCF0E0900

| <u>Ref</u> | <u>Partnumber</u> | <u>Description</u>         | <u>GX630RH</u> | <u>Serial Numbers</u> |
|------------|-------------------|----------------------------|----------------|-----------------------|
| 001        | 12208-Z6L-003     | SEAL, VALVE STEM           | 4              |                       |
| 002        | 14100-Z6L-000     | CAMSHAFT ASSY.             | 1              |                       |
| 003        | 14410-Z6L-000     | ROD COMP., PUSH            | 4              |                       |
| 004        | 14431-Z6L-000     | ARM, VALVE ROCKER          | 4              |                       |
| 005        | 14461-Z6L-000     | SHAFT, ROCKER ARM          | 4              |                       |
| 006        | 14568-Z6L-000     | SPRING, WEIGHT RETURN      | 1              |                       |
| 007        | 14711-Z6L-000     | VALVE, IN.                 | 2              |                       |
| 008        | 14721-Z6L-000     | VALVE, EX.                 | 2              |                       |
| 009        | 14730-Z6L-000     | LIFTER ASSY., VALVE        | 1              |                       |
| 010        | 14735-Z6L-000     | SHAFT COMP., VALVE LIFTER  | 1              |                       |
| 011        | 14751-Z6L-000     | SPRING, VALVE              | 4              |                       |
| 012        | 14763-Z6L-000     | COLLAR, VALVE LIFTER       | 1              |                       |
| 013        | 14764-Z6L-000     | SPRING, VALVE LIFTER       | 1              |                       |
| <u>Ref</u> | <u>Partnumber</u> | <u>Description</u>         | <u>GX630RH</u> | <u>Serial Numbers</u> |
| 014        | 14771-ZE1-000     | RETAINER, IN. VALVE SPRING | 4              |                       |
| 015        | 90012-Z6L-000     | SCREW, TAPPET ADJUSTING    | 4              |                       |
| 016        | 90206-Z6L-000     | NUT, TAPPET ADJUSTING      | 4              |                       |
| 017        | 90602-ZE1-000     | CLIP, GOVERNOR HOLDER      | 1              |                       |
| 018        | 90707-Z6L-000     | DOWEL PIN, 8X10            | 1              |                       |
| 019        | 95701-0602200     | BOLT, FLANGE, 6X22         | 1              |                       |