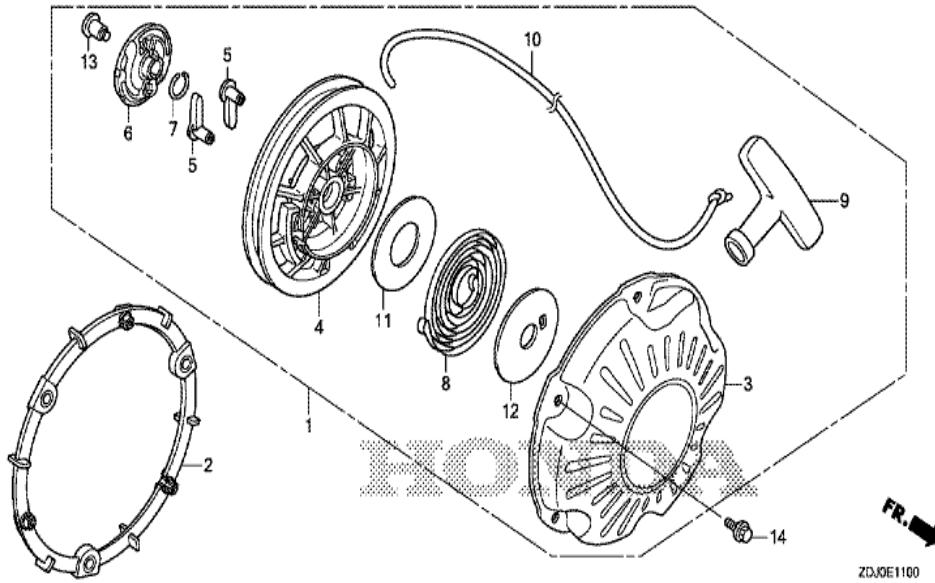


GXR120RT(KRA2)

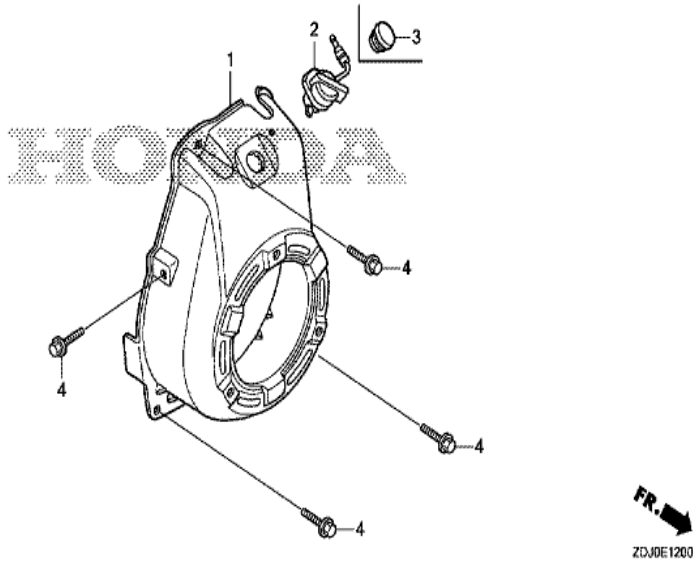
E-11 RECOIL STARTER



<u>Ref</u>	<u>Partnumber</u>	<u>Description</u>	<u>GXR120RT</u>	<u>Serial Numbers</u>
001	28400-ZDJ-003ZA	STARTER ASSY., RECOIL *R280*	1	
001	28400-ZDJ-003ZB	STARTER ASSY., RECOIL *NH1*	1	
002	28405-ZDJ-000	SPACER, RECOIL STARTER MOUNTING	1	
003	28410-ZDJ-003ZA	CASE COMP., RECOIL STARTER *R280*	1	
003	28410-ZDJ-003ZB	CASE COMP., RECOIL STARTER *NH1*	1	
004	28421-Z0D-V02	REEL, RECOIL STARTER	1	
005	28422-ZG0-W02	RATCHET, STARTER	2	
006	28433-ZG0-W02	GUIDE, RATCHET	1	
007	28441-ZW6-003	SPRING, FRICTION	1	
008	28442-ZH8-003	SPRING, RECOIL STARTER	1	
009	28461-ZH8-013	KNOB, RECOIL STARTER	1	
010	28462-Z0D-V03	ROPE, RECOIL STARTER	1	
011	28467-Z0D-V02	PLATE, SIDE	1	
<u>Ref</u>	<u>Partnumber</u>	<u>Description</u>	<u>GXR120RT</u>	<u>Serial Numbers</u>
012	28468-Z0D-V02	PLATE, SLIDE	1	
013	90003-ZH8-003	SCREW, SETTING	1	
014	95701-0601400	BOLT, FLANGE, 6X14	3	

GXR120RT(KRA2)

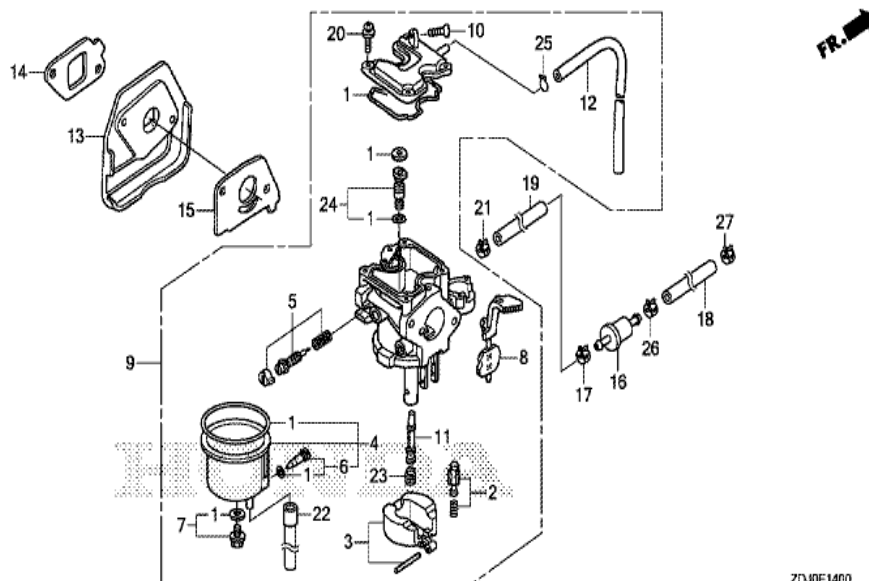
E-12 FAN COVER



<u>Ref</u>	<u>Partnumber</u>	<u>Description</u>	<u>GXR120RT</u>	<u>Serial Numbers</u>
001	19610-Z0D-V00ZB	COVER COMP., FAN *NH1 *	1	
001	19610-Z0D-V00ZC	COVER COMP., FAN *R280 *	1	
002	35120-Z0D-V81	SWITCH ASSY., ENGINE STOP	1	
004	90014-952-000	BOLT, FLANGE, 6X14 (CT200)	4	

GXR120RT(KRA2)

E-14 CARBURETOR (1) (RAMMER FLOAT)

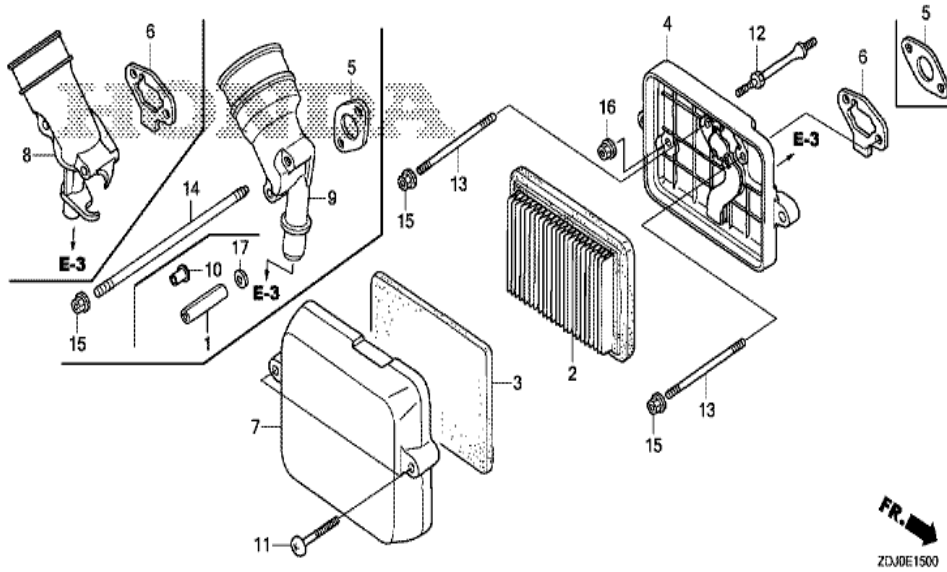


ZDJE1400

<u>Ref</u>	<u>Partnumber</u>	<u>Description</u>	<u>GXR120RT</u>	<u>Serial Numbers</u>
001	16010-Z4E-W51	GASKET SET	1	
002	16011-ZE0-005	VALVE SET, FLOAT	1	
002	16011-ZE0-005	VALVE SET, FLOAT	1	
003	16013-ZG0-811	FLOAT SET	1	
004	16015-Z4E-W51	CHAMBER SET, FLOAT	1	
005	16016-Z0D-V21	SCREW SET	1	
006	16024-124-760	SCREW SET, DRAIN	1	
007	16028-ZC0-005	SCREW SET	1	
008	16044-Z0D-V21	LEVER SET, CHOKE	1	
009	16100-ZDJ-821	CARBURETOR ASSY. (BF33S A)	1	
010	16124-ZE0-005	SCREW, THROTTLE STOP	1	
011	16166-ZDJ-821	NOZZLE, MAIN	1	
012	16199-Z0D-V21	TUBE, AIR VENT	1	
<u>Ref</u>	<u>Partnumber</u>	<u>Description</u>	<u>GXR120RT</u>	<u>Serial Numbers</u>
013	16211-Z0D-010	INSULATOR, CARBURETOR	1	
014	16212-Z0D-V20	PACKING, INSULATOR	1	
015	16221-ZG0-801	PACKING, CARBURETOR	1	
017	95002-4085008	CLAMP, TUBE (D8.5)	1	
017	95002-4085008	CLAMP, TUBE (D8.5)	1	
019	91434-Z4E-912	HOSE, FUEL, 4.2X400 (FKM)	1	
020	93892-0401218	SCREW-WASHER, 4X12	4	
021	95002-4085008	CLAMP, TUBE (D8.5)	1	
022	95003-0501931	TUBE, VINYL, 3.5X6.5X190 (95003-05001-60)	1	
023	99101-ZG00550	JET, MAIN, #55	(1)	
023	99101-ZG00580	JET, MAIN, #58	(1)	
023	99101-ZG00600	JET, MAIN, #60	1	
024	99204-ZE00350	JET SET, PILOT, #35	1	
025	90602-921-000	CLIP, TUBE (B8)	1	
025	95002-02089	CLIP, TUBE (B1 8)	1	

GXR120RT(KRA2)

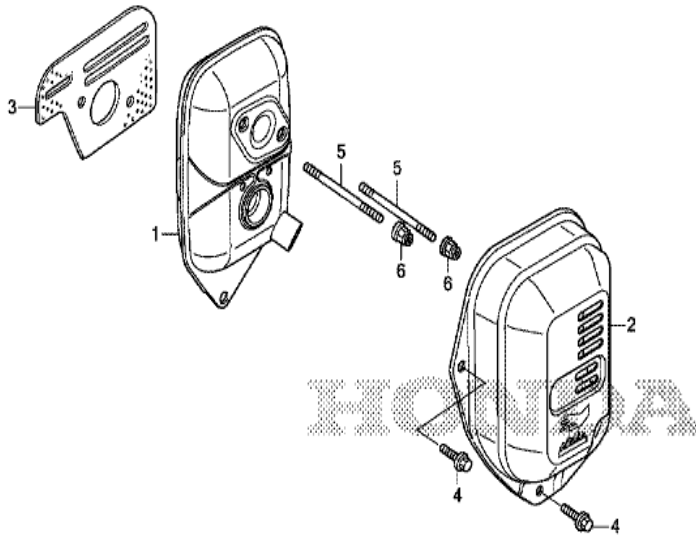
E-15 AIR CLEANER



<u>Ref</u>	<u>Partnumber</u>	<u>Description</u>	<u>GXR120RT</u>	<u>Serial Numbers</u>
002	17211-ZL8-023	ELEMENT, AIR CLEANER (TOYO ROKI)	1	
003	17218-Z0D-000	FILTER, OUTER	1	
004	17220-Z0D-V21	CASE COMP., AIR CLEANER	1	
004	17220-Z0D-V21	CASE COMP., AIR CLEANER	1	
006	17228-Z0D-V21	PACKING, AIR CLEANER	1	
007	17231-Z0D-010	COVER, AIR CLEANER	1	
011	90011-Z0D-000	BOLT, AIR CLEANER COVER	2	
012	90041-Z0D-V20	BOLT, STUD	1	
013	90042-Z0D-V20	BOLT, STUD, 5X75 (CT200)	2	
015	94050-05000	NUT, FLANGE, 5MM	2	
016	94050-06000	NUT, FLANGE, 6MM	1	

GXR120RT(KRA2)

E-16 MUFFLER

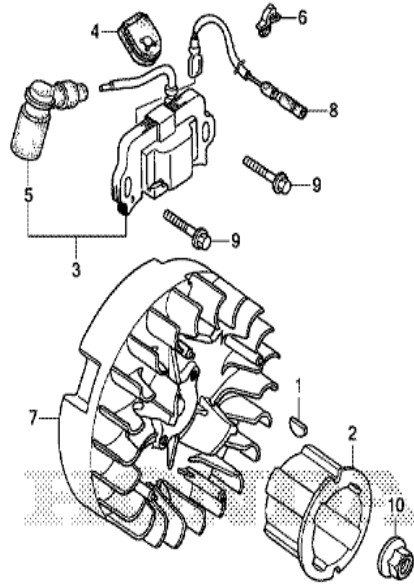


ZDJ0E1600

<u>Ref</u>	<u>Partnumber</u>	<u>Description</u>	<u>GXR120RT</u>	<u>Serial Numbers</u>
001	18310-ZDJ-000	MUFFLER COMP. (RAMMER)	1	
002	18320-ZDJ-000	PROTECTOR COMP., MUFFLER (RAMMER)	1	
003	18381-Z0D-000	GASKET, MUFFLER	1	
004	90014-952-000	BOLT, FLANGE, 6X14 (CT200)	3	
005	90048-ZDJ-000	BOLT, STUD, 6X56.5	2	
006	90343-ZE6-000	NUT, SELF-LOCK, 6MM	2	

GXR120RT(KRA2)

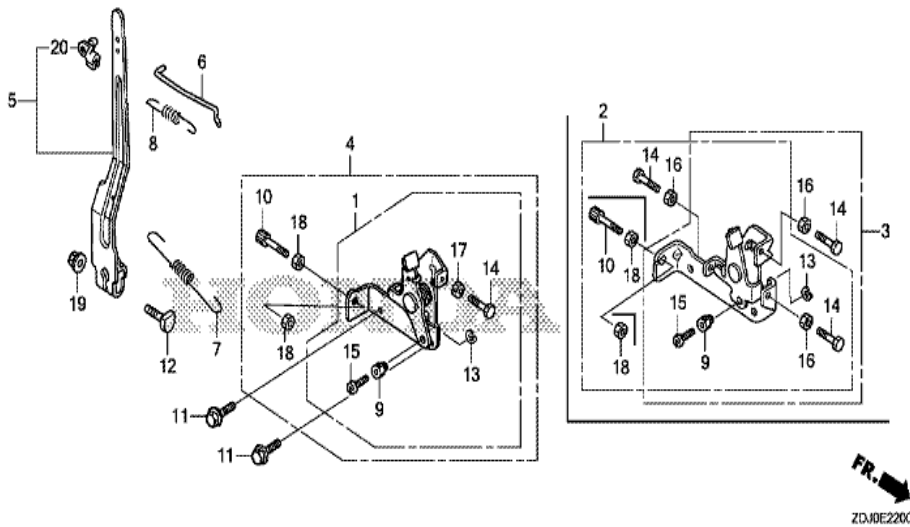
E-19 FLYWHEEL/IGNITION COIL

FR. →
ZDJE1900

<u>Ref</u>	<u>Partnumber</u>	<u>Description</u>	<u>GXR120RT</u>	<u>Serial Numbers</u>
001	13331-357-000	KEY, SPECIAL WOODRUFF, 25X18	1	
002	28451-ZDJ-003	PULLEY, STARTER	1	
003	30500-ZOD-V02	COIL ASSY., IGNITION	1	
004	30564-ZA5-000	GROMMET, CORD	1	
005	30700-ZOD-V01	TERMINAL ASSY., HIGH TENSION	1	
006	30701-883-000	CLIP, HIGH TENSION CORD (8MM)	1	
007	31110-ZDJ-003	FLYWHEEL COMP.	1	
008	32195-ZOD-000	CORD, STOP SWITCH	1	
009	90022-888-010	BOLT, FLANGE, 6X20 (CT200)	2	
010	90201-ZOT-800	NUT, SPECIAL, 14MM	1	

GXR120RT(KRA2)

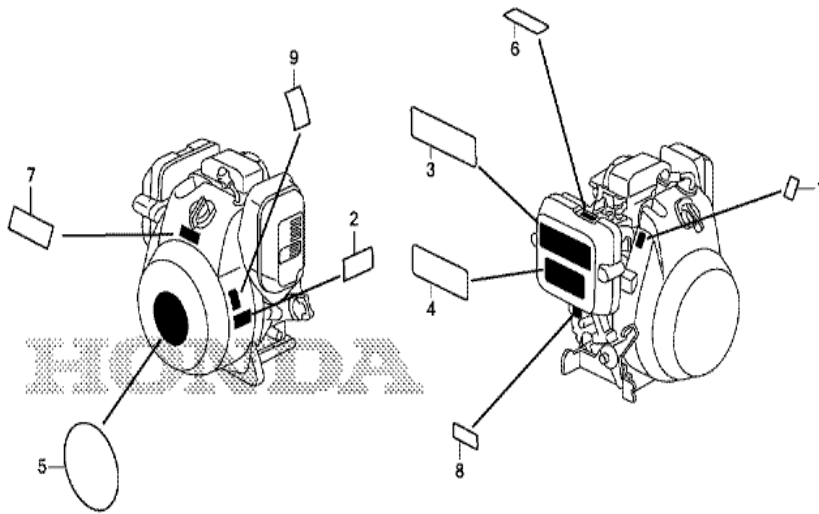
E-22 CONTROL (1)



<u>Ref</u>	<u>Partnumber</u>	<u>Description</u>	<u>GXR120RT</u>	<u>Serial Numbers</u>
004	16500-ZG0-V90	CONTROL ASSY.	1	
005	16550-Z0D-V21	ARM COMP., GOVERNOR	1	
006	16555-Z0D-V20	ROD, GOVERNOR	1	
007	16561-ZDJ-800	SPRING, GOVERNOR	1	
008	16562-Z0D-V20	SPRING, THROTTLE RETURN	1	
009	16594-883-010	HOLDER, WIRE	1	
010	54717-ZG0-S00	BOLT, CABLE ADJUSTING (6X34)	1	
011	90014-952-000	BOLT, FLANGE, 6X14 (CT200)	2	
012	90015-Z5T-000	BOLT, GOVERNOR ARM	1	
013	90605-230-000	CIRCLIP, 5MM	1	
014	92301-050200A	BOLT, RECESSED, 5X20	1	
015	93500-040060H	SCREW, PAN, 4X6	1	
017	94001-050000S	NUT, HEX., 5MM	1	
<u>Ref</u>	<u>Partnumber</u>	<u>Description</u>	<u>GXR120RT</u>	<u>Serial Numbers</u>
018	94002-060000S	NUT, HEX., 6MM	2	
019	94050-06000	NUT, FLANGE, 6MM	1	
020	16263-883-W10	JOINT, ROD	1	

GXR120RT(KRA2)

E-28 LABEL

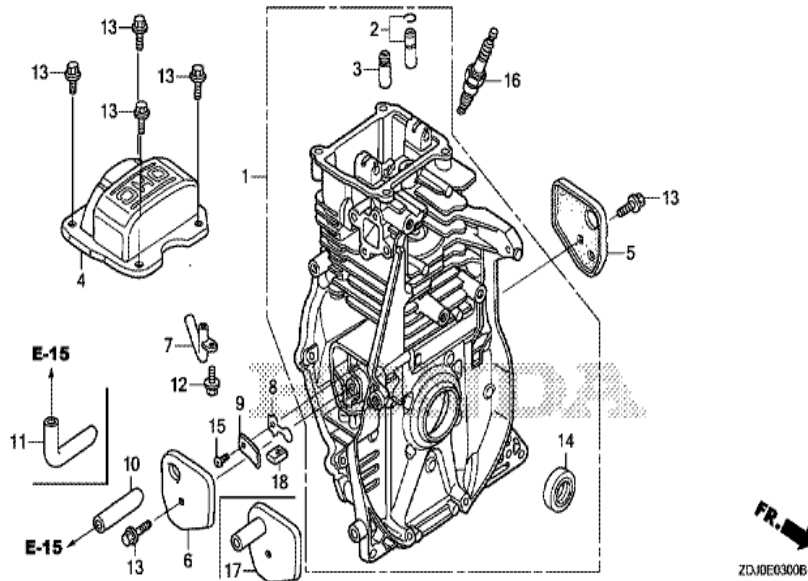


ZDJ0E2800A

<u>Ref</u>	<u>Partnumber</u>	<u>Description</u>	<u>GXR120RT</u>	<u>Serial Numbers</u>
003	87516-ZDD-000	MARK, OPERATOR CAUTION (ENGLISH)	1	
005	87521-ZDJ-000	EMBLEM	1	
007	87539-ZOJ-000	MARK, EX. CAUTION (ENGLISH)	1	
008	87601-ZOD-V40	MARK, TYPE (KRA2)	1	

GXR120RT(KRA2)

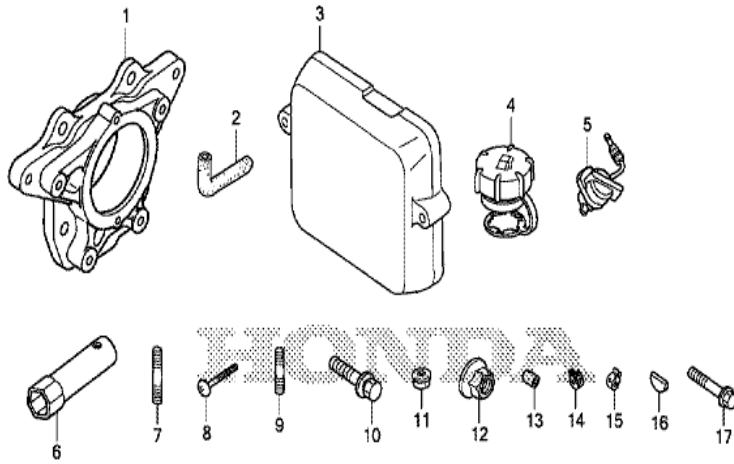
E-3 CYLINDER BARREL



<u>Ref</u>	<u>Partnumber</u>	<u>Description</u>	<u>GXR120RT</u>	<u>Serial Numbers</u>
001	12000-ZDJ-305	BARREL ASSY., CYLINDER	1	
002	12201-ZOD-305	GUIDE ASSY., EX. VALVE (O.S.)	1	
003	12204-ZOD-305	GUIDE, IN. VALVE (O.S.)	1	
004	12311-ZOD-000	COVER, HEAD	1	
005	12355-ZOD-000	COVER COMP. A, BREATHER	1	
006	12365-ZOD-000	COVER COMP. B, BREATHER	1	
007	15171-ZOD-V00	PIPE, BREATHER	1	
008	15571-ZOD-V71	VALVE, OIL OUTLET	1	
009	15572-ZM7-000	PLATE, STOPPER	1	
010	15721-ZOD-000	TUBE, BREATHER	1	
012	90008-ZM7-000	BOLT, 4X10	1	
013	90014-952-000	BOLT, FLANGE, 6X14 (CT200)	6	
014	91202-ZE6-013	OIL SEAL, 22X35X6	1	
<u>Ref</u>	<u>Partnumber</u>	<u>Description</u>	<u>GXR120RT</u>	<u>Serial Numbers</u>
015	93500-030050A	SCREW, PAN, 3X5	1	
016	98056-55757	PLUG, SPARK (U16FSR-UB)	1	
016	98056-55777	PLUG, SPARK (CR5HSB)	1	

GXR120RT(KRA2)

E-40 OTHER PARTS (1)

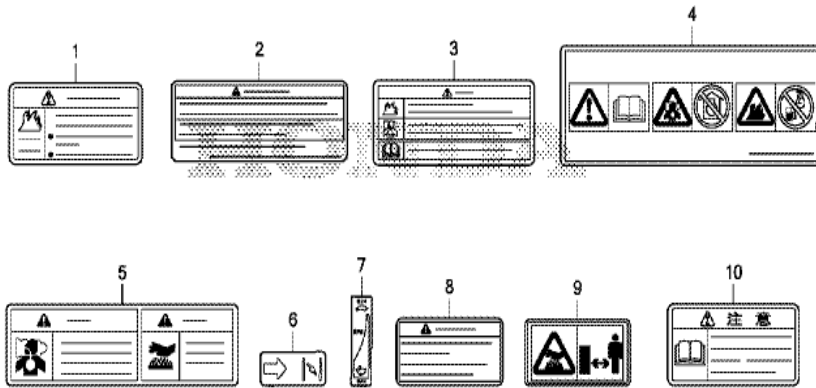


ZDJE4000A

<u>Ref</u>	<u>Partnumber</u>	<u>Description</u>	<u>GXR120RT</u>	<u>Serial Numbers</u>
006	89216-045-670	WRENCH, PLUG	1	
009	92900-080250E	BOLT, STUD, 8X25	4	

GXR120RT(KRA2)

E-40-1 OTHER PARTS (2)

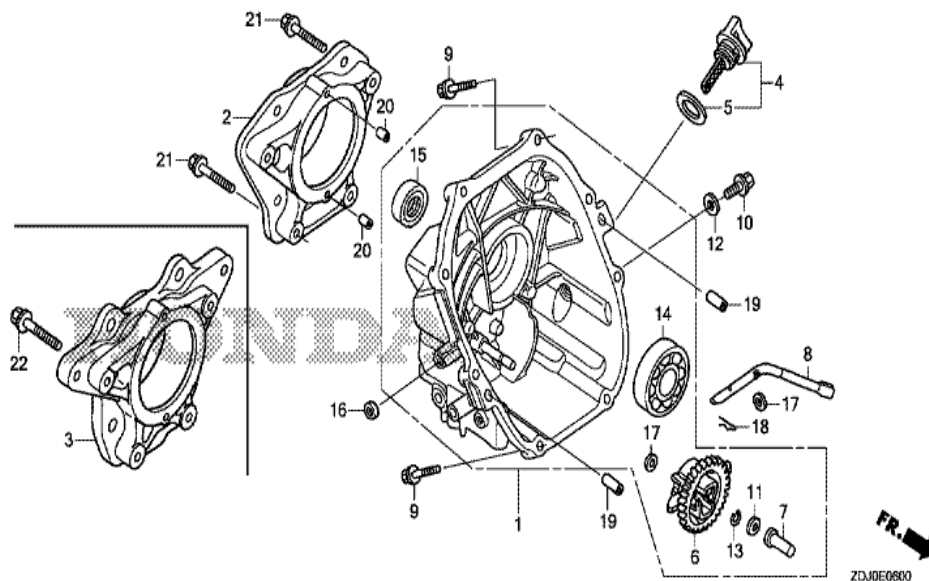


ZD30E4001A

Ref	Partnumber	Description	GXR120RT	Serial Numbers
002	87516-ZDD-800	MARK, OPERATOR CAUTION (FRENCH)	1	
004	87519-ZDD-000	MARK, OPERATOR CAUTION (PICTOGRAPH)	1	
006	87528-Z0D-000	MARK, CHOKE INDICATION	1	
007	87532-Z4E-000	MARK, THROTTLE INDICATION	1	
008	87539-Z0J-810	MARK, EX. CAUTION (FRENCH)	1	
009	87539-Z0J-800	MARK, EX. CAUTION (PICTOGRAPH)	1	

GXR120RT(KRA2)

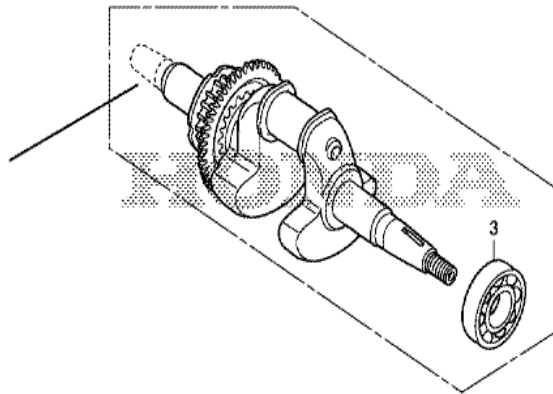
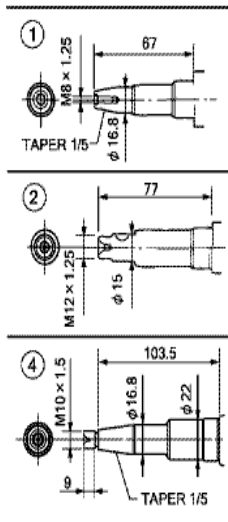
E-6 CRANKCASE COVER



<u>Ref</u>	<u>Partnumber</u>	<u>Description</u>	<u>GXR120RT</u>	<u>Serial Numbers</u>
001	11300-ZDJ-305	COVER ASSY., CRANKCASE	1	
002	11511-ZOD-V00	FLANGE, P.T.O.	1	
004	15600-ZDF-000	CAP ASSY., OIL FILLER	1	
005	15625-ZOT-800	PACKING, OIL FILLER CAP	1	
006	16510-ZL8-000	GOVERNOR ASSY.	1	
007	16531-ZE1-000	SLIDER, GOVERNOR	1	
008	16541-ZOD-000	SHAFT, GOVERNOR ARM	1	
009	90121-952-000	BOLT, FLANGE, 6X25 (CT200)	8	
010	90131-ZE1-000	BOLT, DRAIN PLUG	1	
011	90451-ZE1-000	WASHER, THRUST, 6MM	1	
012	90601-ZE1-000	WASHER, DRAIN PLUG, 10.2MM	1	
013	90602-ZE1-000	CLIP, GOVERNOR HOLDER	1	
014	91001-878-003	BEARING, RADIAL BALL,	1	
<u>Ref</u>	<u>Partnumber</u>	<u>Description</u>	<u>GXR120RT</u>	<u>Serial Numbers</u>
015	91203-ZE0-013	OIL SEAL, 22X41X6	1	
016	91231-891-003	OIL SEAL, 6X11X4 (ARAI)	1	
017	94101-06800	WASHER, PLAIN, 6MM	2	
018	94251-08000	PIN, LOCK, 8MM	1	
019	94301-08200	DOWEL PIN, 8X20	2	
020	94303-06100	DOWEL PIN, 6X10	2	
021	95701-0804000	BOLT, FLANGE, 8X40	4	

GXR120RT(KRA2)

E-7 CRANKSHAFT

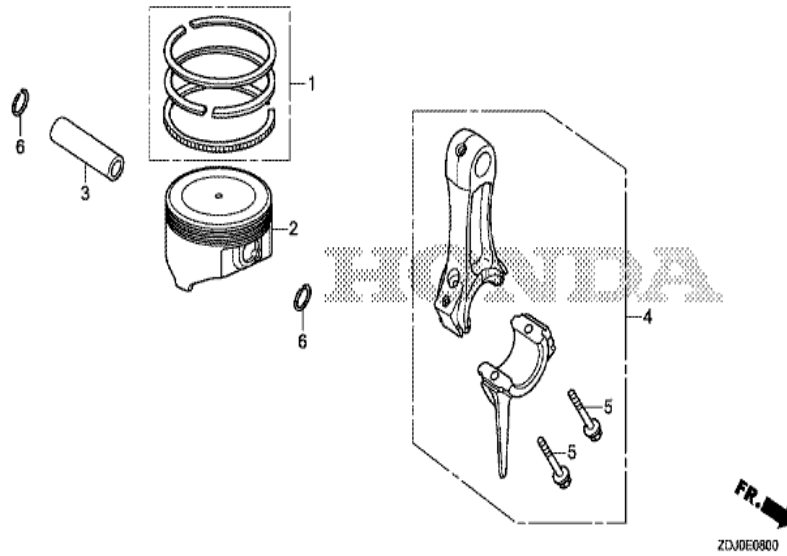


ZDJE0700A

Ref	Partnumber	Description	GXR120RT	Serial Numbers
002	13310-ZDJ-800	CRANKSHAFT COMP.	1	
003	91005-KS4-003	BEARING, RADIAL BALL, 62/22	1	

GXR120RT(KRA2)

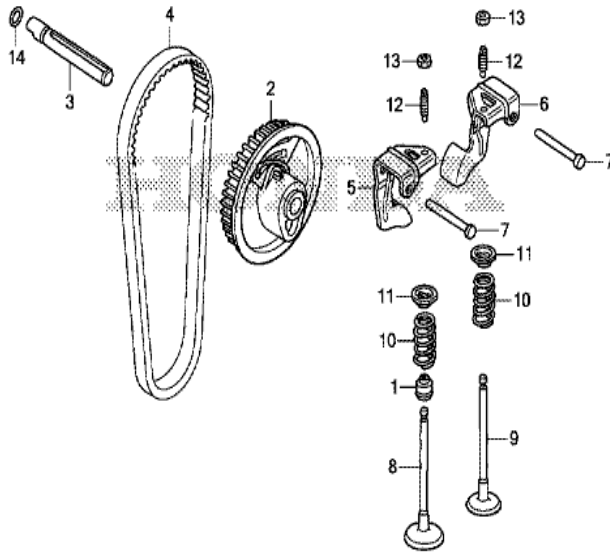
E-8 PISTON/CONNECTING ROD



<u>Ref</u>	<u>Partnumber</u>	<u>Description</u>	<u>GXR120RT</u>	<u>Serial Numbers</u>
001	13010-ZDJ-003	RING SET, PISTON (STD.) (NIPPON PISTON R	1	
002	13101-ZDJ-000	PISTON	1	
003	13111-ZE0-000	PIN, PISTON	1	
004	13200-ZDJ-000	ROD ASSY., CONNECTING	1	
004	13200-ZDJ-305	ROD ASSY., CONNECTING (UNDER SIZE)	(1)	
005	90001-ZDJ-000	BOLT, CONNECTING ROD, 6X32	2	
006	90551-ZE0-000	CLIP, PISTON PIN, 13MM	2	

GXR120RT(KRA2)

E-9 CAMSHAFT PULLEY

FR. →
ZDJE0900

<u>Ref</u>	<u>Partnumber</u>	<u>Description</u>	<u>GXR120RT</u>	<u>Serial Numbers</u>
001	12209-KT7-013	SEAL, VALVE STEM	1	
002	14320-ZDD-000	PULLEY COMP., CAMSHAFT	1	
003	14324-ZOD-000	SHAFT, CAM PULLEY	1	
004	14400-ZOD-003	BELT, TIMING (61YU7 G-200)	1	
005	14431-ZDD-000	ARM, IN. VALVE ROCKER	1	
006	14441-ZDD-000	ARM, EX. VALVE ROCKER	1	
007	14461-ZL8-000	SHAFT, ROCKER ARM	2	
008	14711-ZOD-000	VALVE, IN.	1	
009	14721-ZOD-000	VALVE, EX.	1	
010	14751-ZOD-000	SPRING, VALVE	2	
011	14771-ZM3-010	RETAINER, VALVE SPRING	2	
012	90012-333-000	SCREW, TAPPET ADJUSTING	2	
013	90206-001-000	NUT, TAPPET ADJUSTING	2	
<u>Ref</u>	<u>Partnumber</u>	<u>Description</u>	<u>GXR120RT</u>	<u>Serial Numbers</u>
014	91301-ZM0-V31	O-RING, 6.8X1.9 (ARAI)	1	